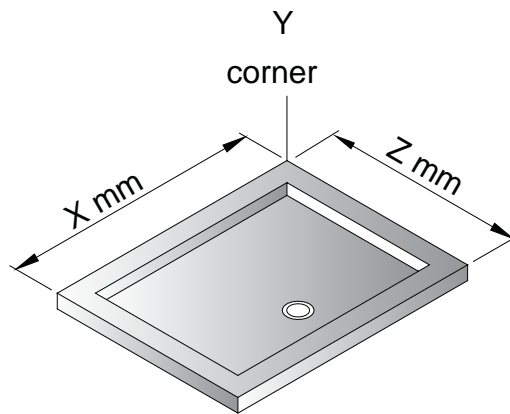


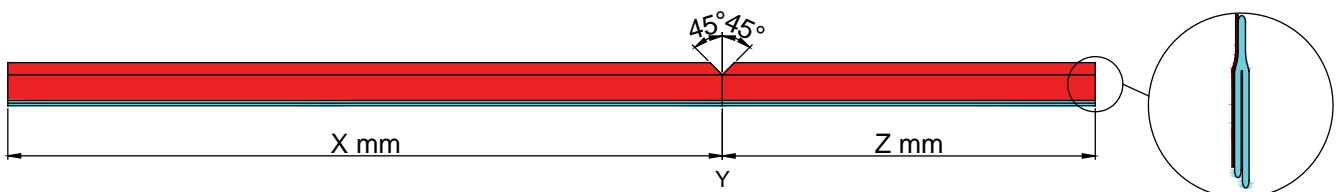
tools required

4.1M LENGTH WATER PROOF SEALING STRIP INSTRUCTION

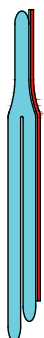
- 1 Before installation of shower tray, measure the sides that the tiling bead will be adhered to.



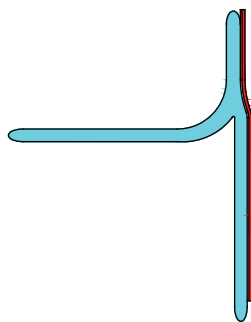
- 2 Cut tiling bead to required length $X + Z$, and make two 45° cuts at the position point Y.



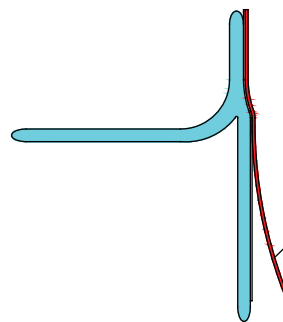
- 3 Prepare for application by separating the surfaces of the strip in three steps.



1.



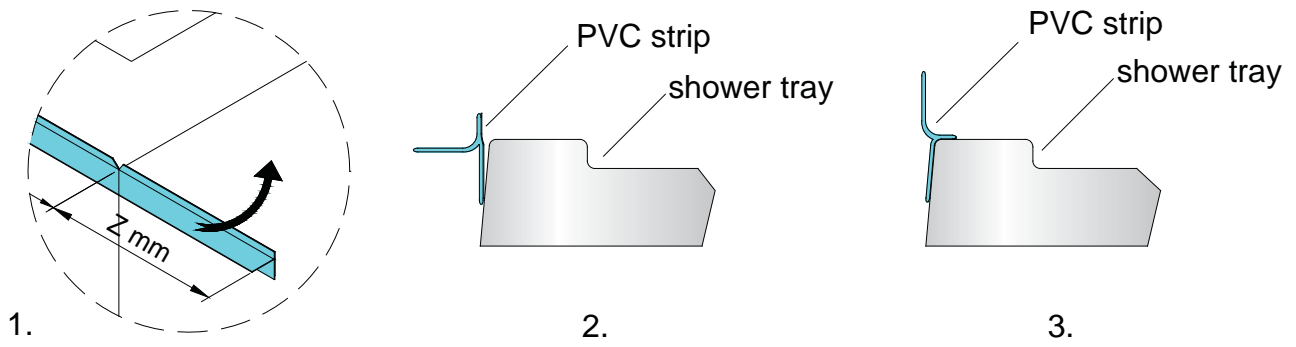
2.



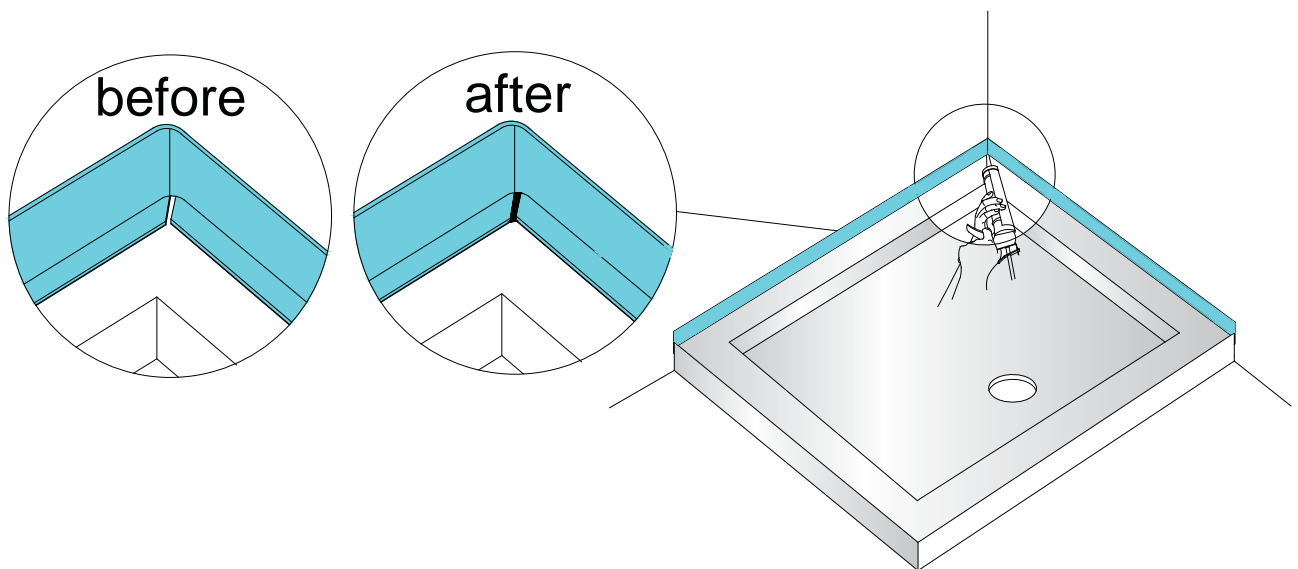
3.

Remove the red protective tape to expose the adhesive.

- ④ Starting from the installation corner of the shower tray adhere in 3 steps.



- ⑤ Please install shower tray as recommended by supplier. Once installed please add a dab of silicone to the corner joint.



- ⑥ A water barrier has been created and tile can be fixed on wall and down to tray.

