

# MECHANISM

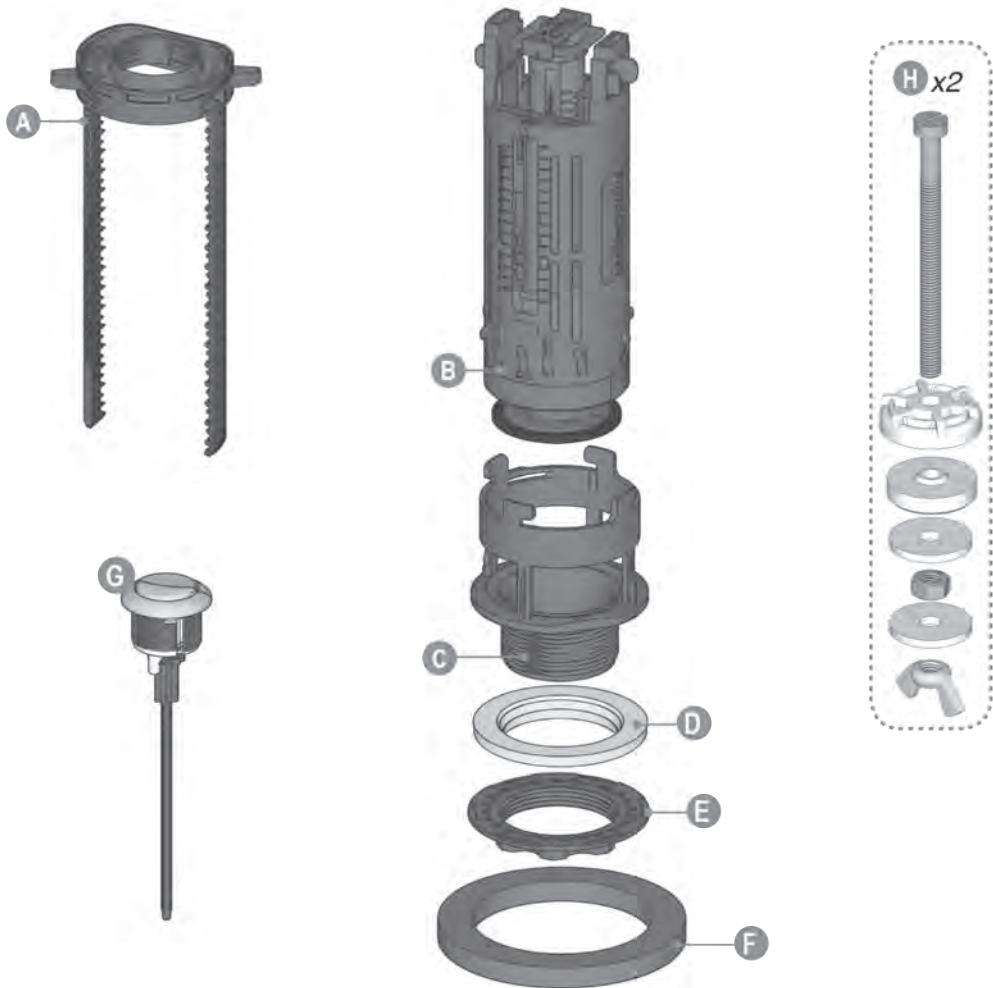
## ▶ WIRQUIN ONE MECHANICAL FLUSH VALVE ASSEMBLY INSTRUCTIONS



|           |          |
|-----------|----------|
| Code      | 240728   |
| Issue No. | 1        |
| Date      | Mar/2018 |

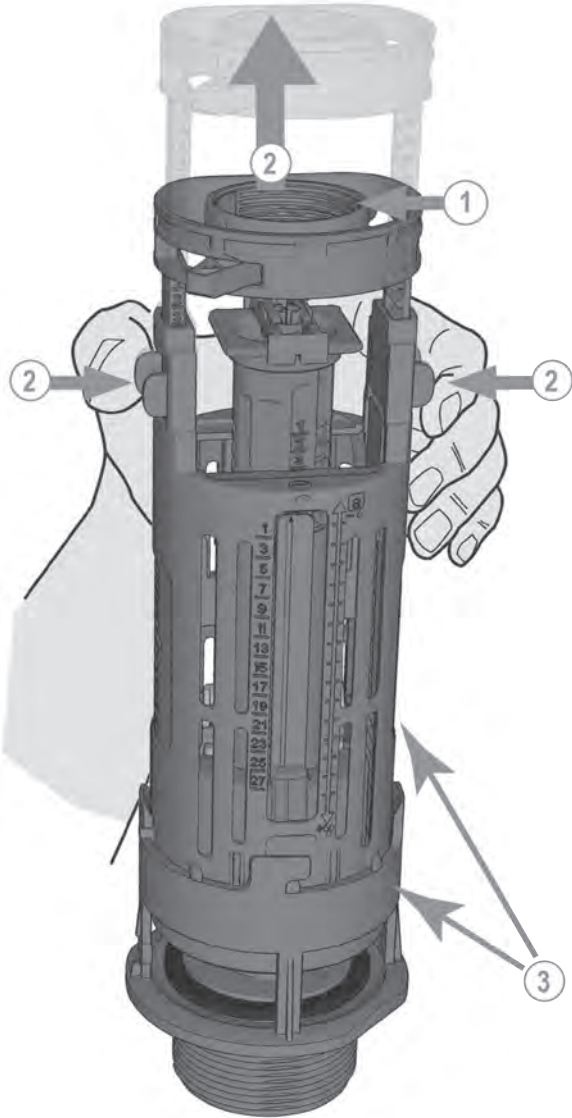
**Macdee**  
*wirquin*

SANITARY EQUIPMENT SPECIALIST



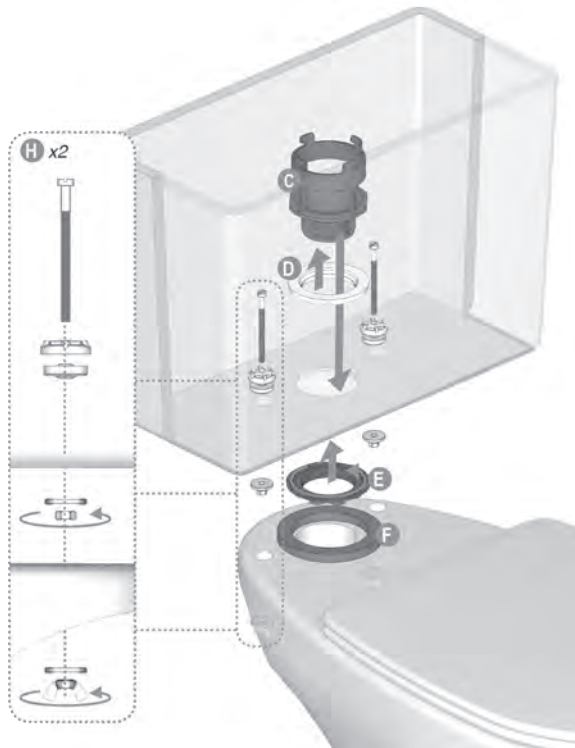
| N° | Description               |
|----|---------------------------|
| A  | Flush Valve Bridge        |
| B  | Flush Valve Body          |
| C  | Base                      |
| D  | Sealing Washer            |
| E  | Backnut                   |
| F  | Close Coupling Washer     |
| G  | Chrome Push Button        |
| H  | Close Coupling Bolted Kit |

# Flushing Valve



- 1 - Unscrew push button from bridge of flushing valve and pull up and remove.
- 2 - Remove bridge from flushing valve body (simply push the lugs in and pull up).
- 3 - Unclip flush valve body from flush valve base.

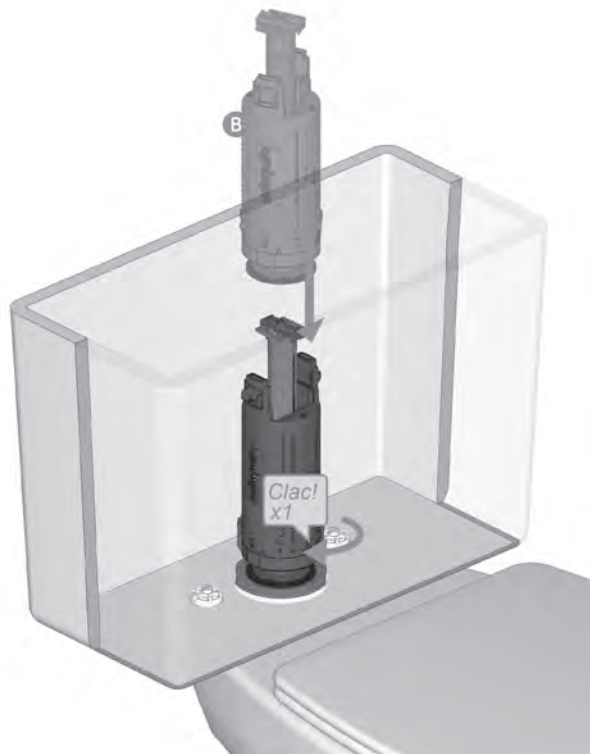
## Fitting base and bolted close coupled kit



- 4 - Remove cistern from wall and pan.
- 5 - Replace the bolted close coupling kit (item H).
- 6 - Fit sealing washer (item D) onto base (item C) - sealing washer to be fitted on inside of cistern.
- 7 - Fit the backnut (item E) handtight and 1/4 turn with suitable spanner.
- 8 - Fit close coupling washer (item F) to threaded tail of base.
- 9 - Fit cistern.

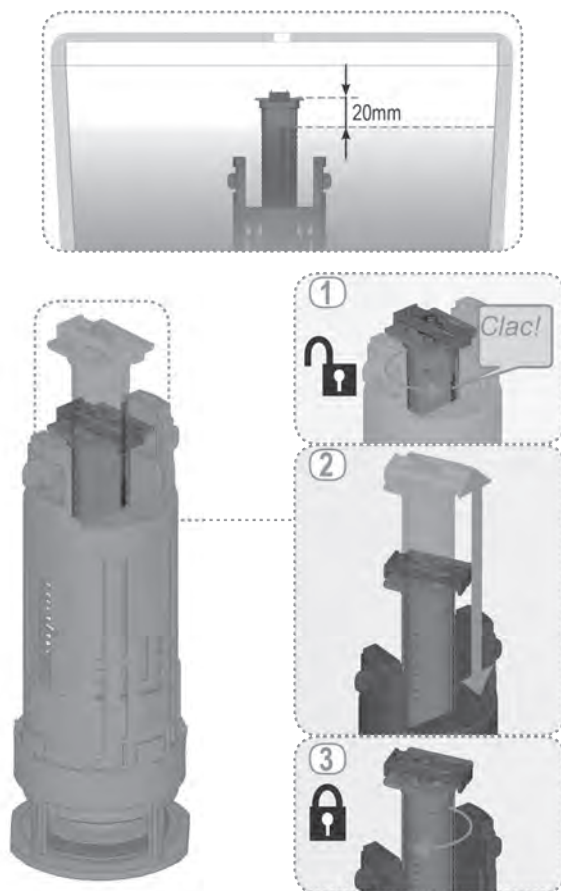
**Please Note:** make sure that the cistern is drained of water before removing and water supply is turned off.

## Fitting flush valve body to base



- 10 - Clip flush valve body to base.  
(Simply clip in and turn to lock in place)

## Setting overflow height



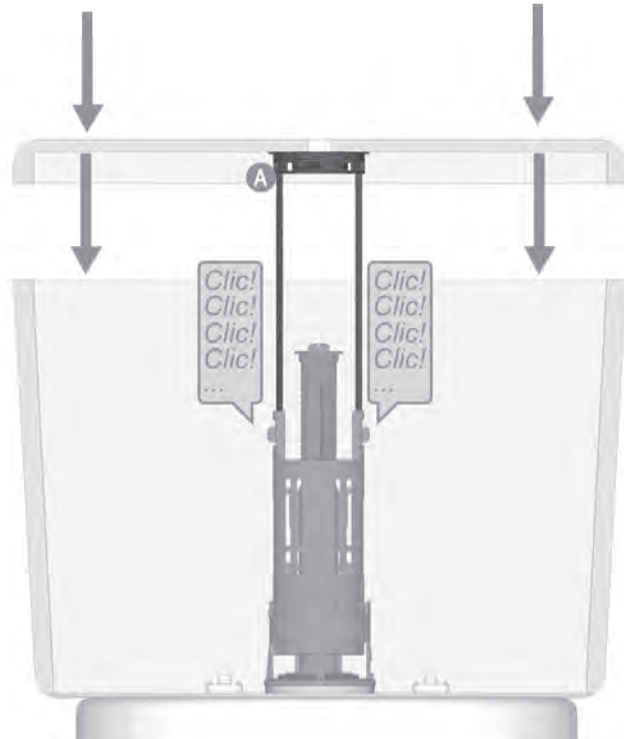
11.1 - Turn the internal overflow to unlock.

11.2 - Set the internal overflow 20mm above the waterline inside the cistern.

11.3 - Turn and lock the internal overflow in place.

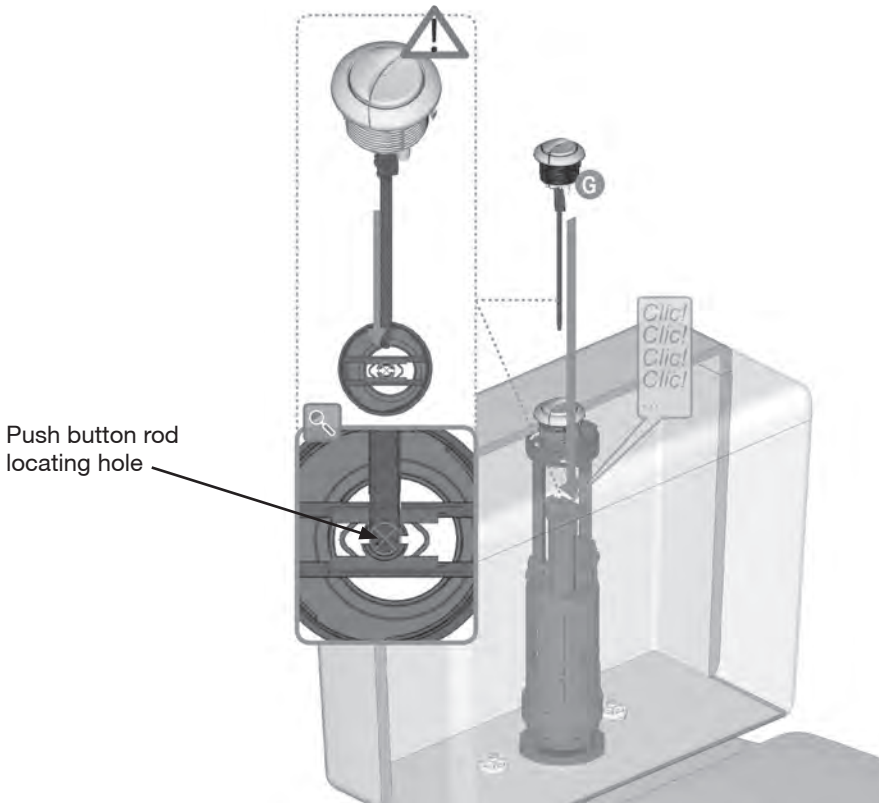
**Please Note:** the internal overflow must be set 20mm above the waterline inside the cistern.

## Setting the height of the flush valve bridge



- 12 - Clip the bridge back onto the flush valve body and leave above the cistern body.
- 13 - Put the cistern lid on top of the bridge and gently push down until the lid is located on the cistern body.  
Your flush valve is automatically adjusted.

## Fitting push button



14 - Fit the push button into the cistern lid hole making sure the rod is located into the push button rod locator on the internal over flow tube.

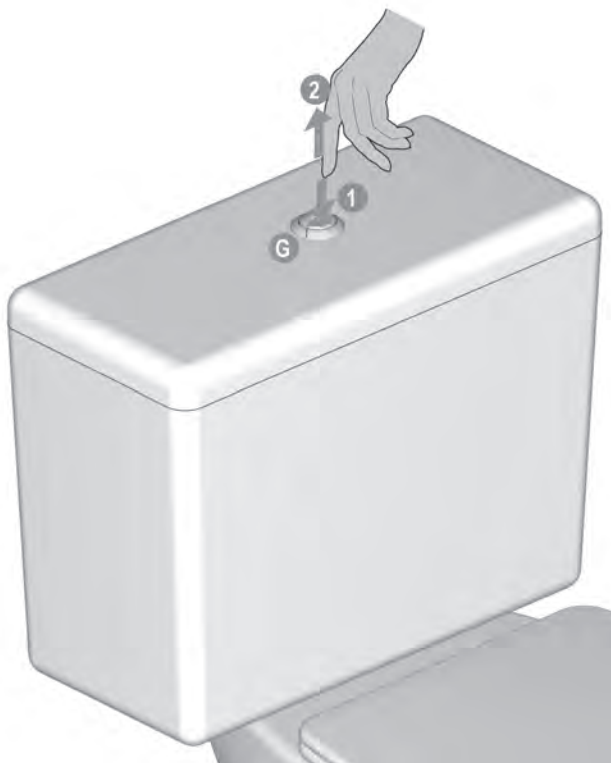
**Warning: if the rod is not located in the push button rod locator the flushing valve will not operate.**

15 - Screw the push button onto the flushing valve.



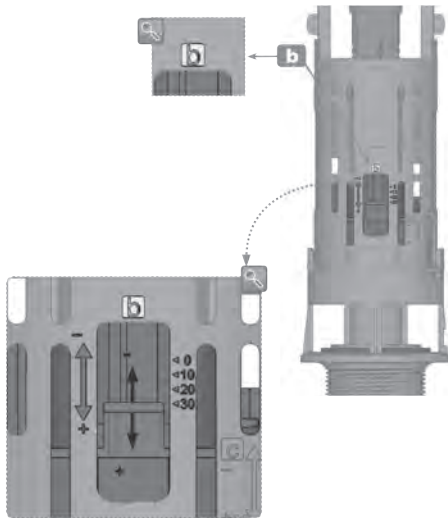


**IMPORTANT**  
**Priming the flushing valve**



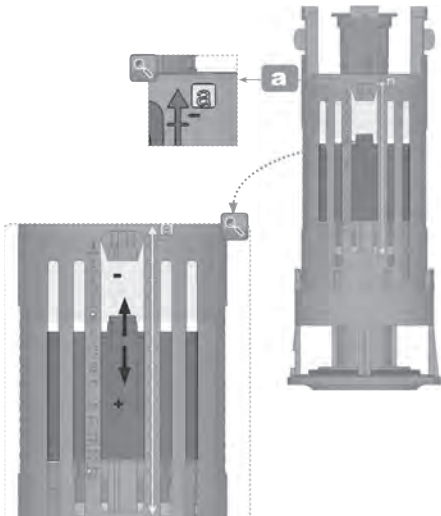
- 16 - Turn water supply back on and fill the cistern.
- 17 - Firmly press the full flush push button all the way down and release, this will activate the full flush. Repeat for part flush.  
**Please note the full flush cycle works on the release of the push button**
- 18 - The flushing valve is now automatically adjusted and ready for use.

## Full and part flush volumes



### Full flush adjustment

Up for less water,  
down for more water



### Part flush adjustment

Up for less water,  
down for more water

If you want to increase or reduce the full or part flush volumes then remove the push button and cistern lid.

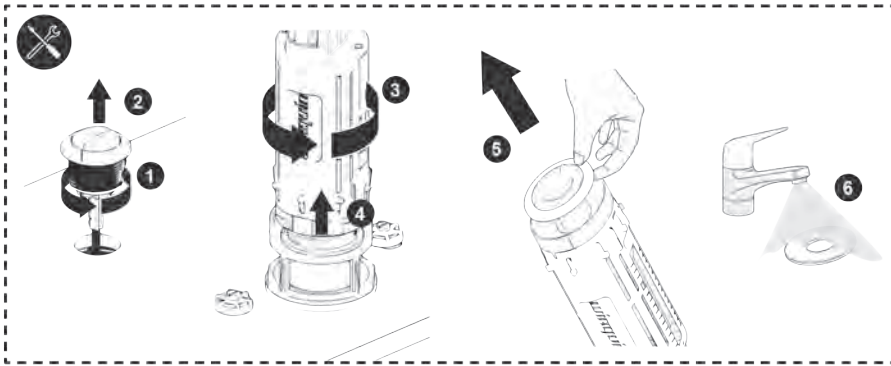
Unclip the flushing valve and set to the required flush setting.

**Once this has been completed please start from Instruction 12 up to 18 again.**

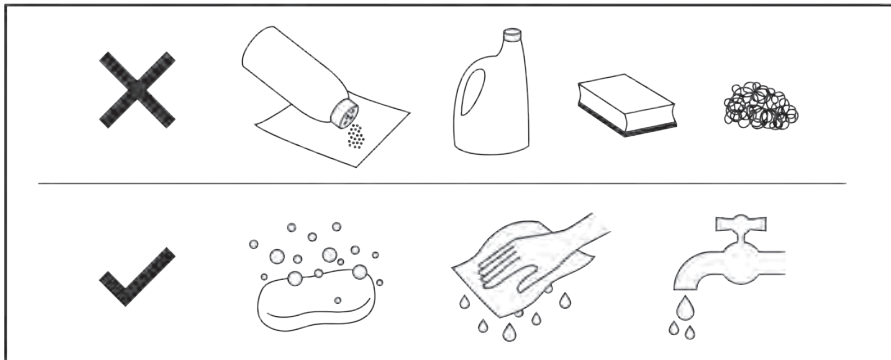
**Please note slide C on the side of the flushing valve must always be set at 2**

## Trouble shooting

### Removing flushing valve sealing washer



### Do not use



Use only soapy or clean water

| Problem           | Solution   |
|-------------------|--|
| It does not flush | Check that the push button rod is located into the push button rod locator on the internal overflow tube (see page 7). |
|                   | Check that you have primed the system.   |

# WIRQUIN FLUSHING VALVE RANGE

▶ MECHANICAL



WIRQUIN ONE

▶ PNEUMATIC



KAYLA

▶ CABLE



QUICK FIT

JOLLYTRONIC

JOLLYFLUSH

| Description | Reference | EAN code      | Packaging | Multiple/<br>Packing |
|-------------|-----------|---------------|-----------|----------------------|
| WIRQUIN ONE | 10120440  | 5017134134247 | Box       | 1/8/240              |



**Macdee**  
*wirquin*

Watch our  
**INSTALLATION**  
Video

**WIRQUIN Ltd.**

Warmsworth Halt Industrial Estate, Warmsworth, Doncaster DN4 9LS, United Kingdom  
 Technical and Sales enquiries: 0044 (0) 333 222 4488  
 Email: sales@wirquin.co.uk    www.macdee-wirquin.co.uk

**Macdee**  
*wirquin*

SANITARY EQUIPMENT SPECIALIST