



INITIO WALL HUNG WC FRAME

290820
A_05/2020

**BS 1212-4
COMPLIANT**



www.wirquin.co.uk

wirquin

IMPORTANT INFORMATION - PRIOR TO INSTALLATION OF THE WC FRAME

Read the instructions carefully.

Ensure product contents are complete.

Check the product for any signs of damage

It is recommended that a technically competent installer undertakes installation.

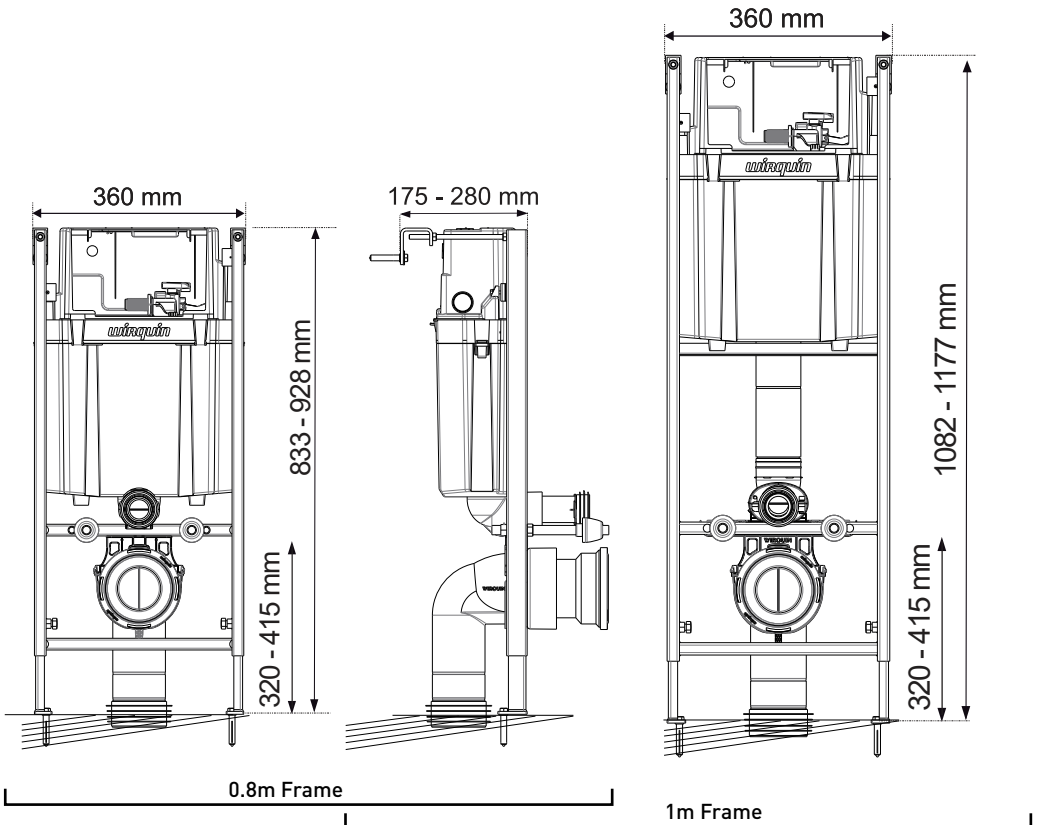
It is the installer's responsibility to carry out a thorough assessment of the installation environment (i.e. wall type/structure) and use appropriate fixings.

Care should be taken when drilling to avoid any hidden wires or pipes.

Use appropriate Personal Protective Equipment at all times when installing the product.

CLEANING

Clean push plate with warm soapy water. Do not use any bleach or detergents.



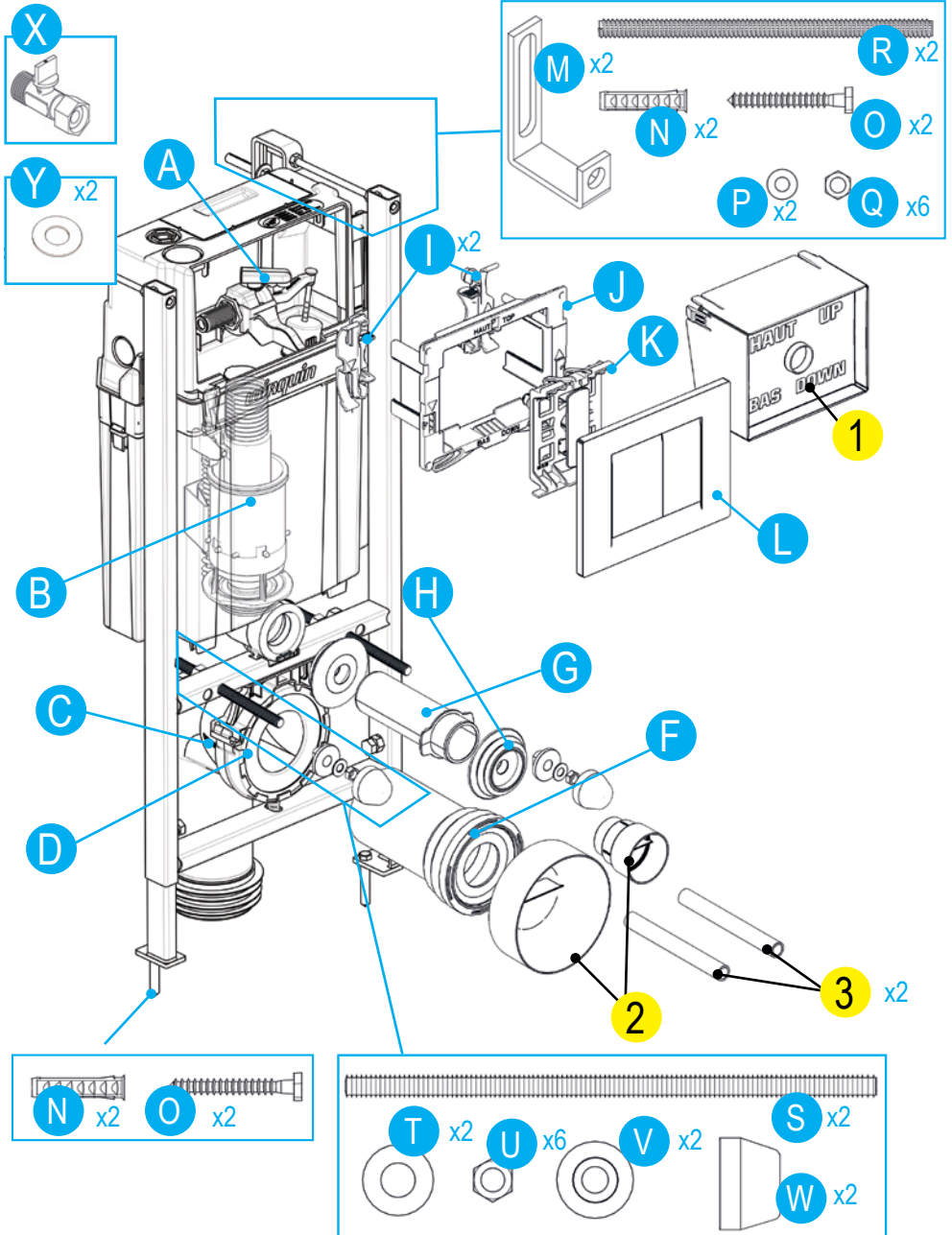
COMPONENTS

Component	Description	0.8m Frame QTY	1m Frame QTY
A	Inlet Valve	1	1
B	Flush Valve	1	1
C	90 ° WC Pan Connector	1	1
D	WC Pan Connector Bracket	1	1
F	Straight WC Pan Connector	1	1
G	Flushpipe	1	1
H	Flushpipe Bungs	1	2
I	Push Plate Clips	2	2
J	Push Plate Bracket	1	1
K	Push Plate Cable Connector	1	1
L	Chrome Push Plate	1	1
M	Wall Brackets	2	2
N	Wall & Floor Plugs	4	4
O	Wall & Floor Screws	4	4
P	Washers	2	2
Q	Nuts	6	6
R	Wall Fixing Threaded Bar	2	2
S	Pan Fixing Threaded Bar	2	2
T	Washers	2	2
U	Nuts	6	6
V	Pan Fixings Sleeve	2	2
W	Pan Fixing Cover Cap	2	2
X	Isolation Valve	1	1
Y	Isolation Valve Fibre Washers	2	2

For use during first fix		0.8m - QTY	1m - QTY
1	Cistern Cover	1	1
2	WC Pan Connector & Flushpipe Cover	2	2
3	Pan Fixing Threaded Bar Sleeve	2	2

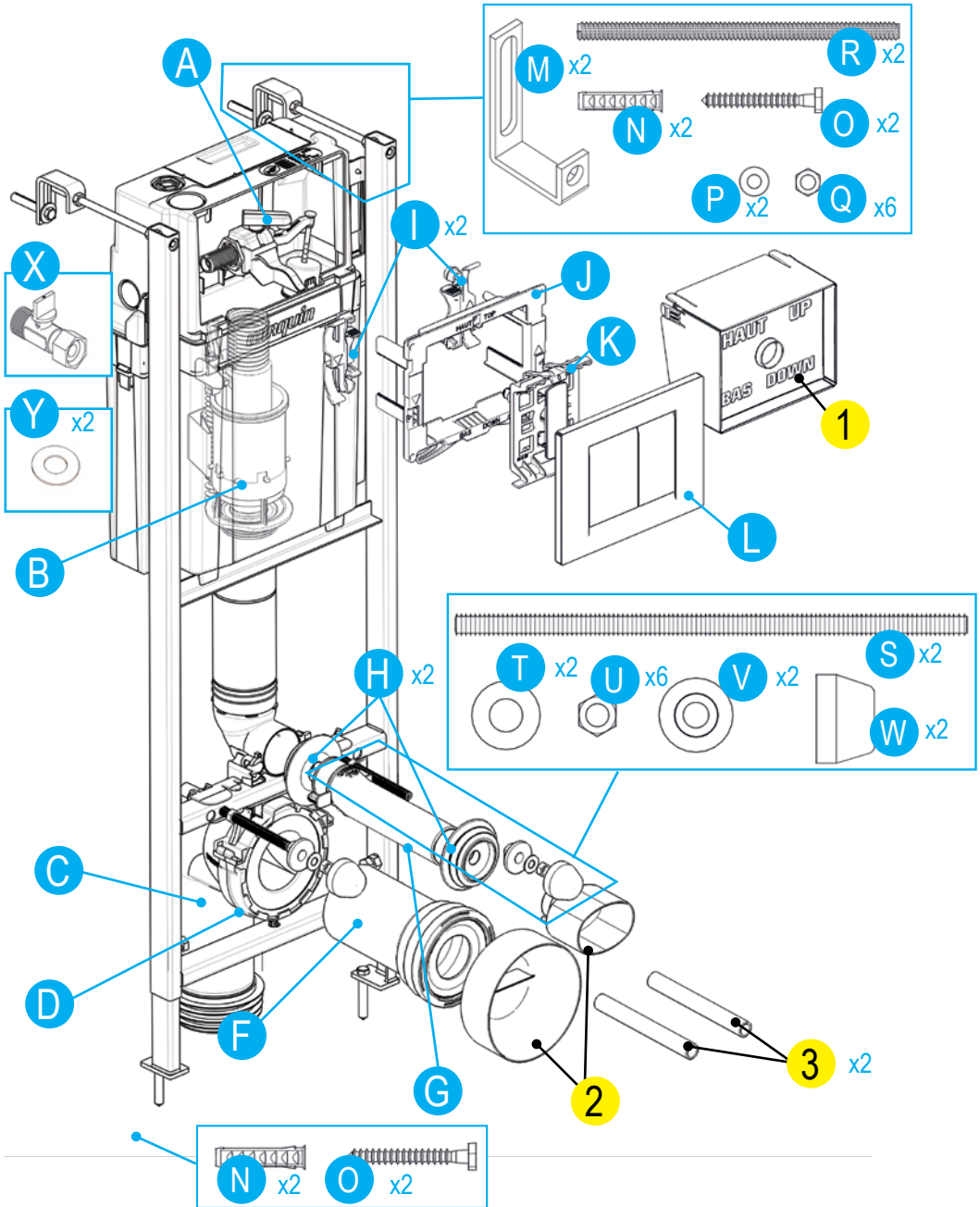


COMPONENTS - 0.8M FRAME

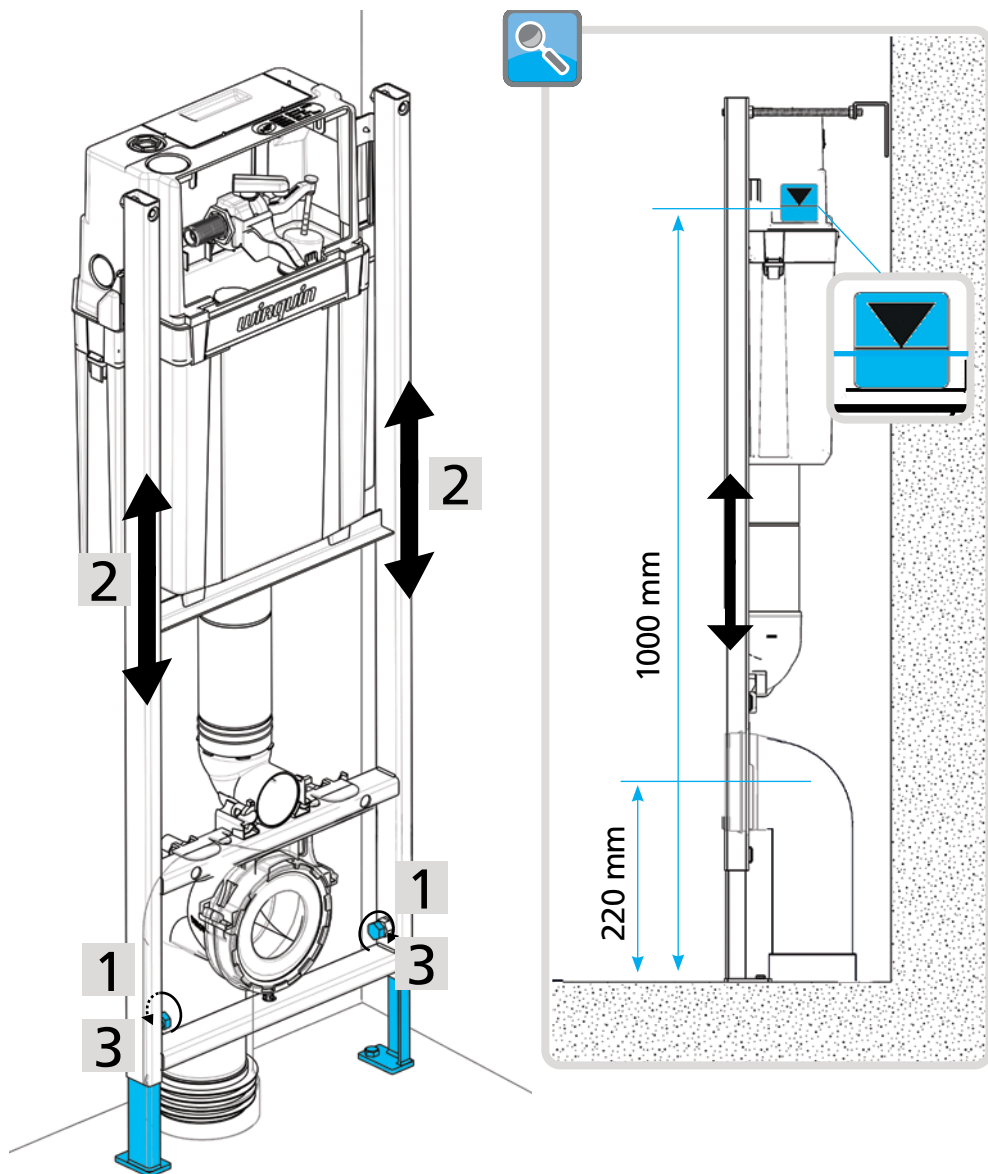




COMPONENTS - 1M FRAME

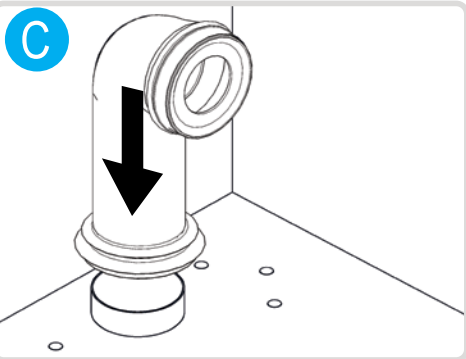
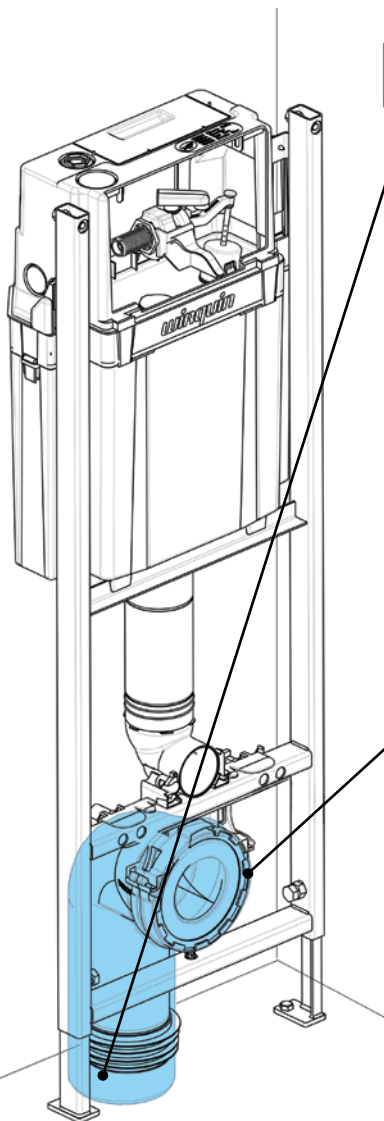


1 HEIGHT ADJUSTMENT

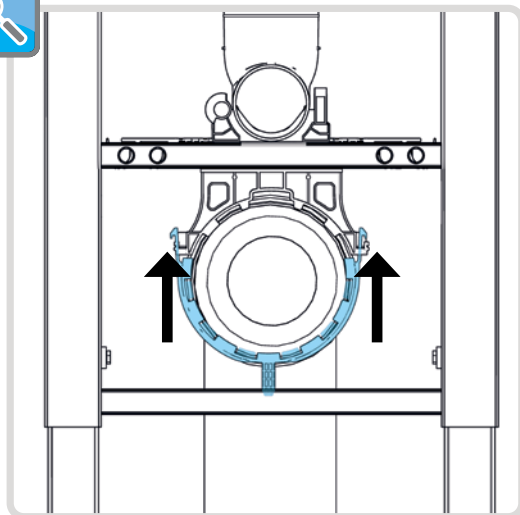


2

WC PAN CONNECTOR INSTALLATION

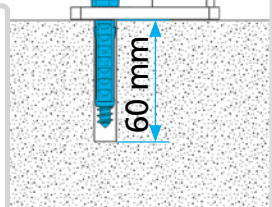
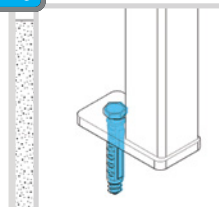
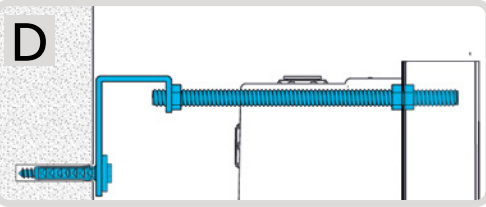
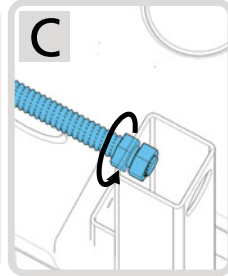
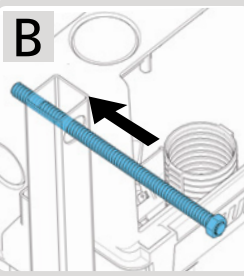
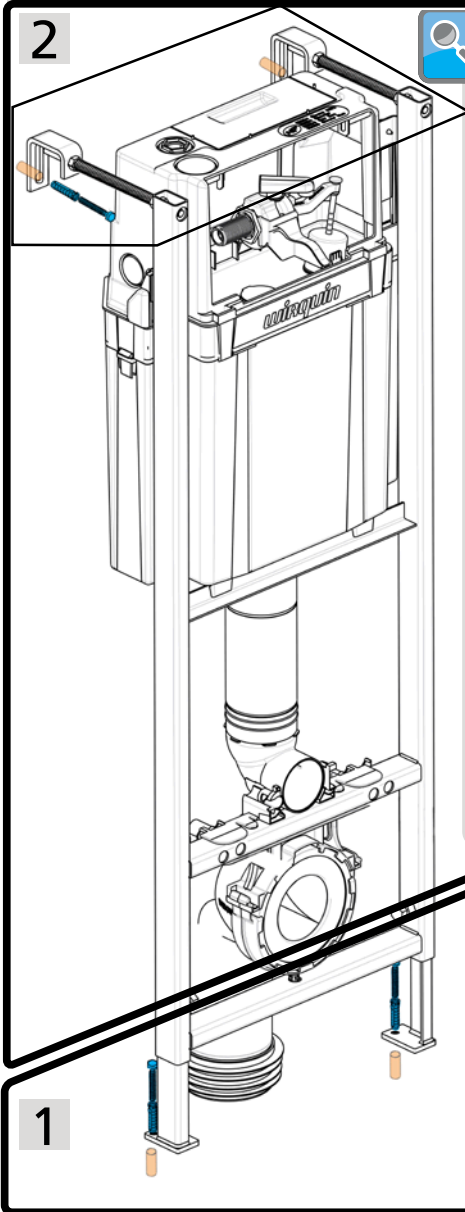


Secure the pan connector into the bracket



3

WALL & FLOOR FIXINGS



4

WATER FEED

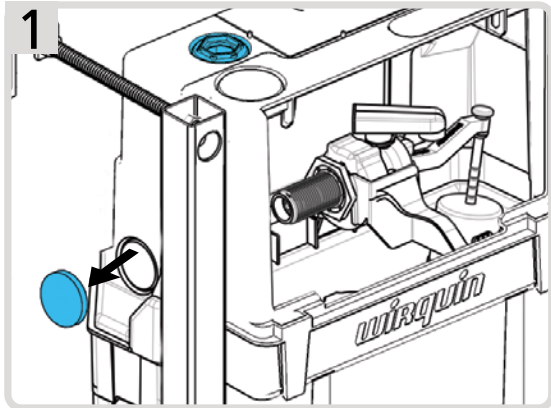
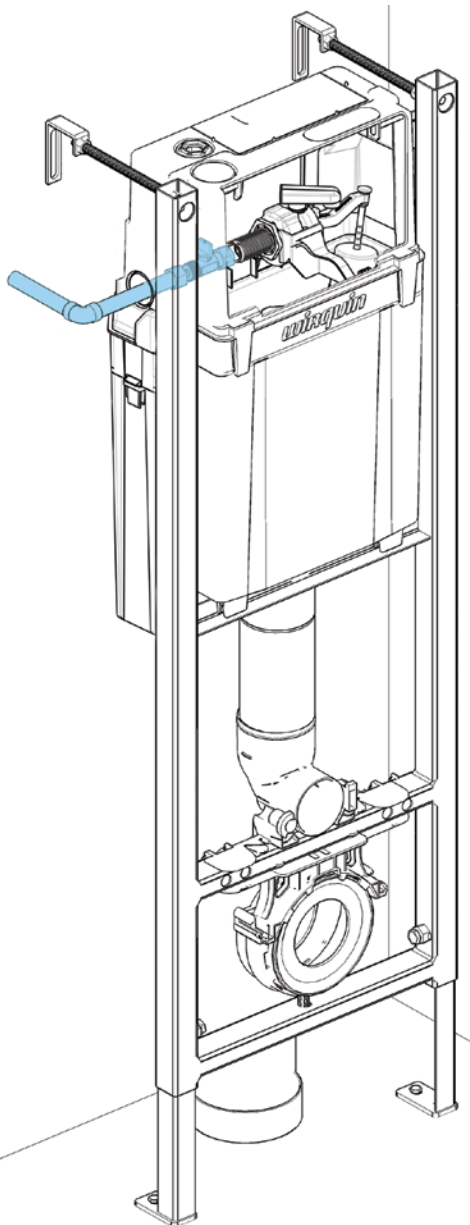
X x1



Y x2

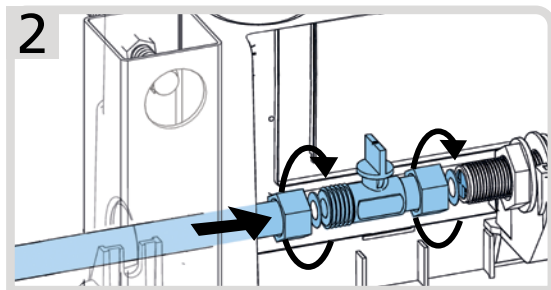
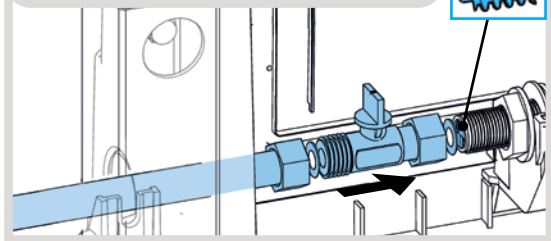


The water feed can be positioned either top, back or side



A flow restrictor is supplied and should only be fitted when the water supply is mains fed. Ensure all pipework is clear of debris before connecting the water supply.

OPTIONAL - FLOW RESTRICTOR

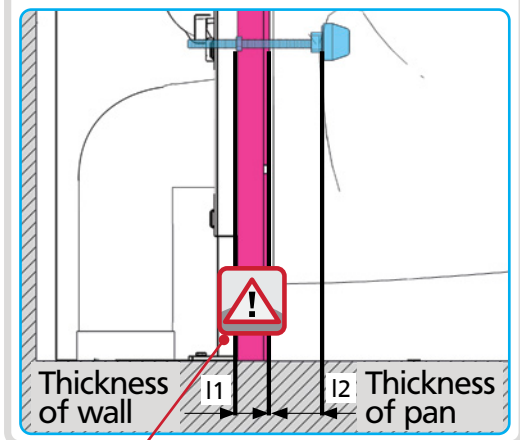
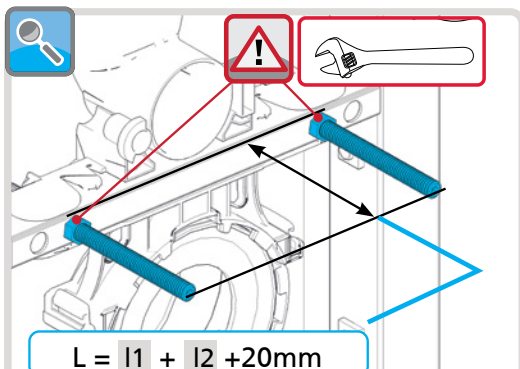
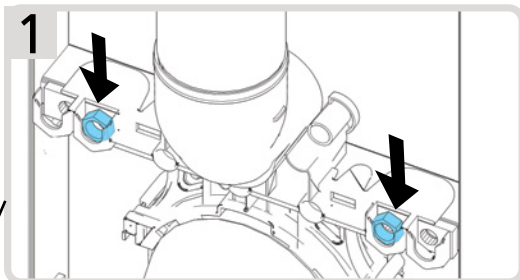
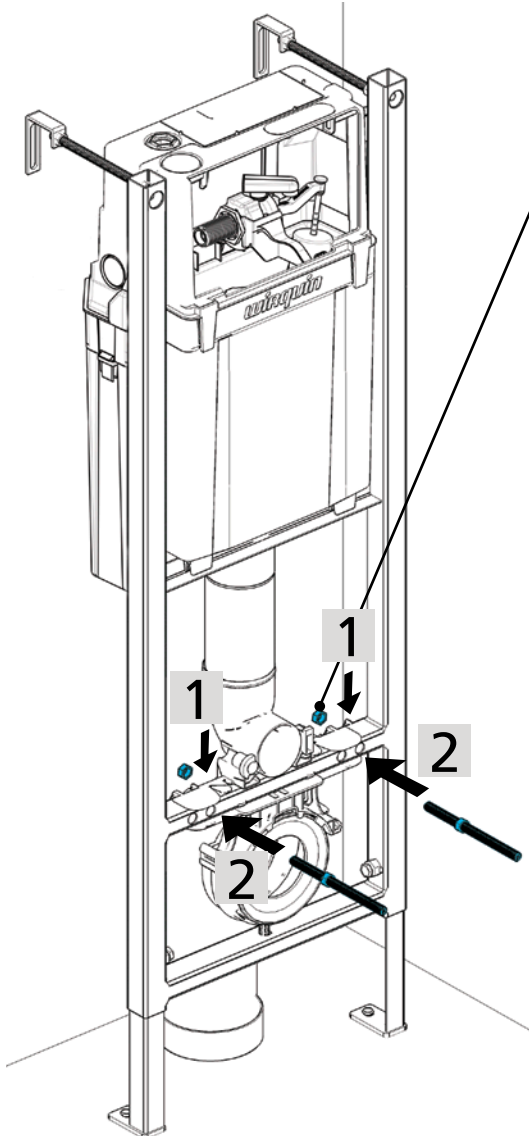


5

WC PAN FIXINGS



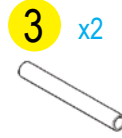
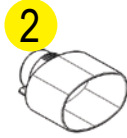
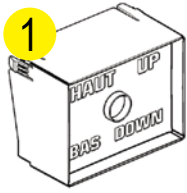
Define required wc pan centres (180mm or 230mm) by measuring the distance on the back of the pan.



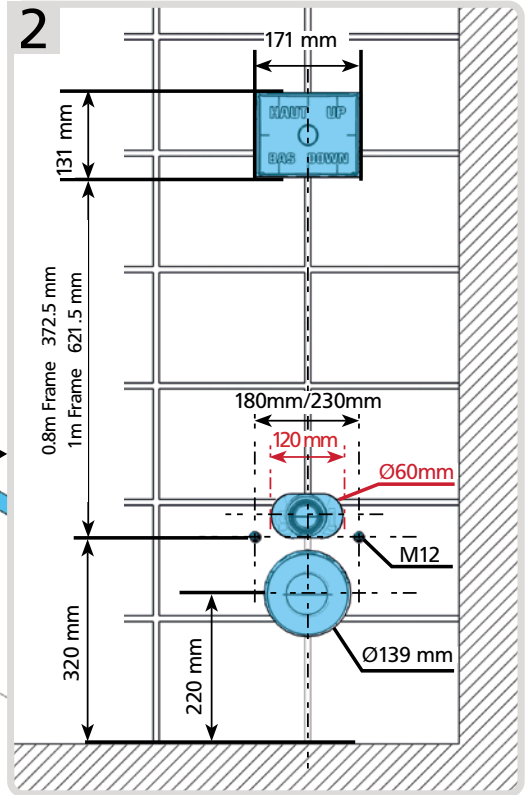
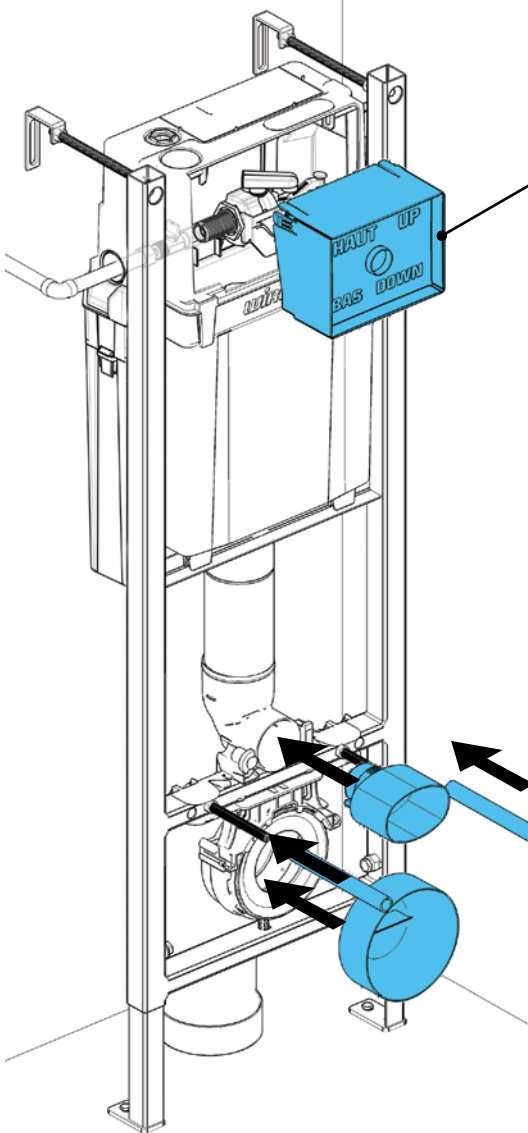
WARNING
0.8m Frame maximum wall thickness (50mm)
1m Frame maximum wall thickness (60mm)

6

FIRST FIX

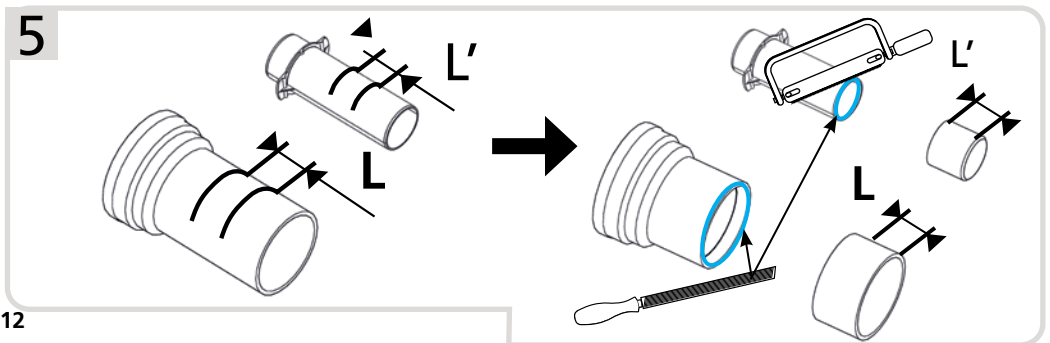
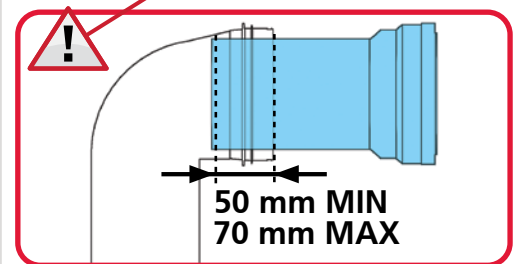
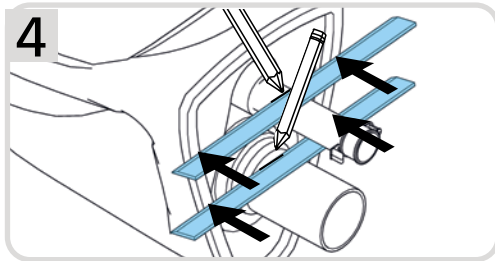
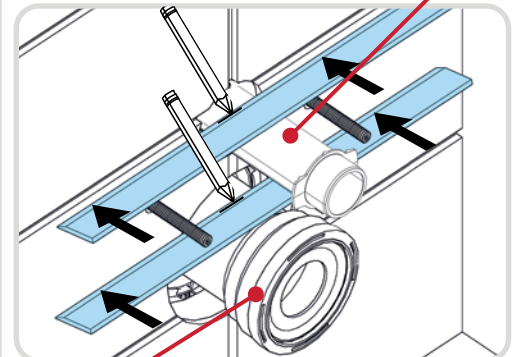
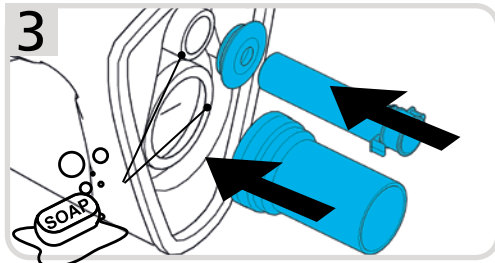
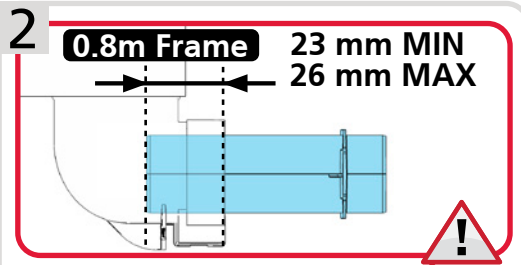
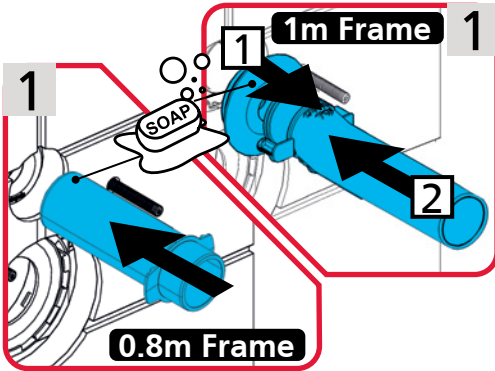
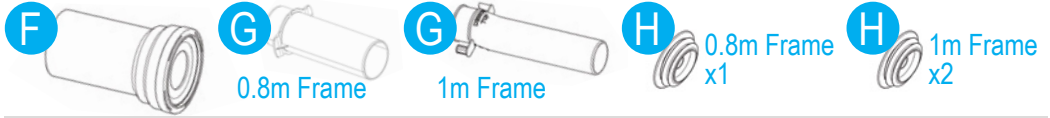


x2



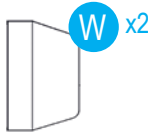
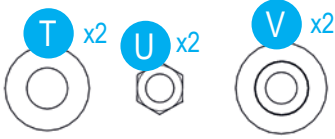
7a

FLUSHPIPE / WC PAN CONNECTOR INSTALLATION

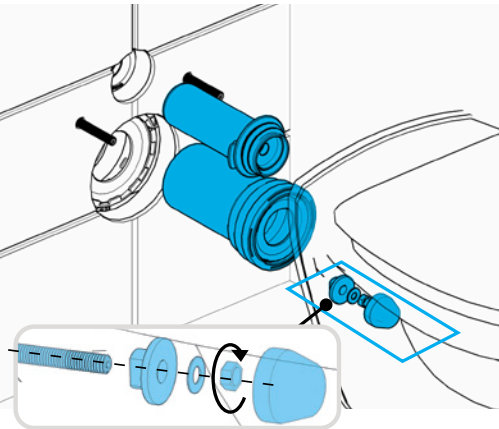
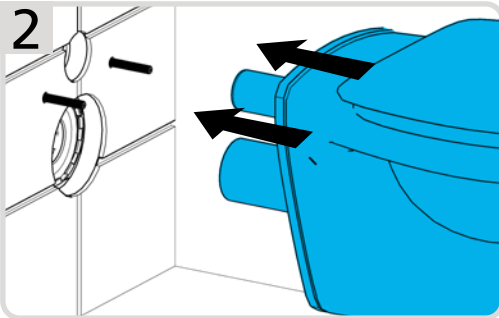
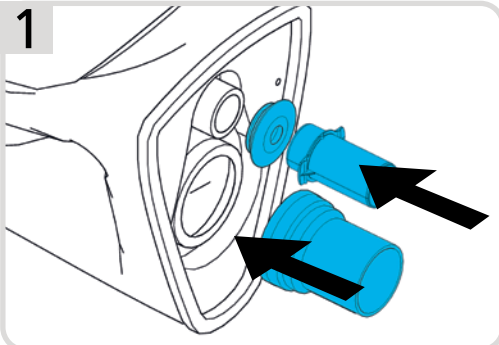


7b

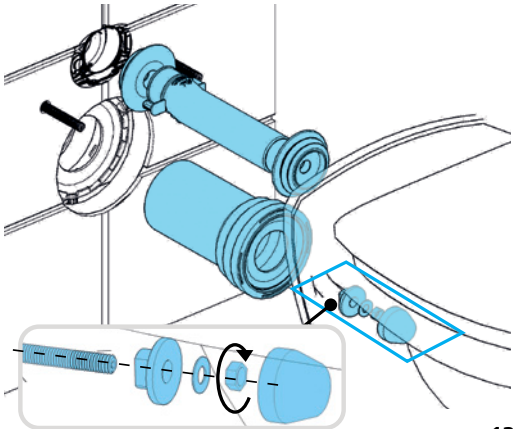
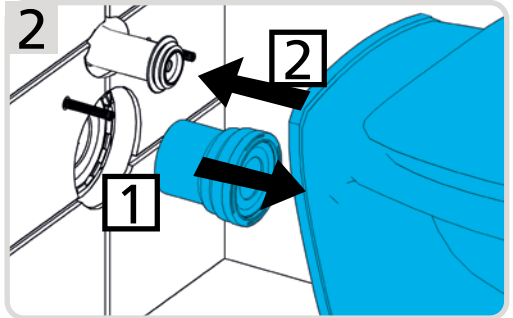
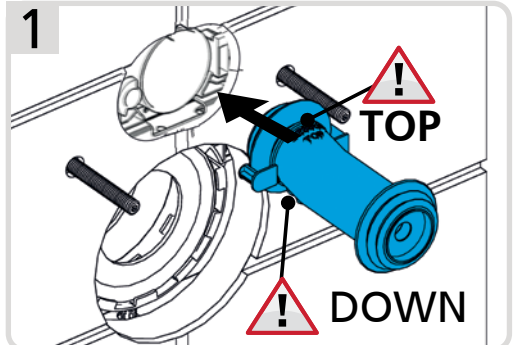
PAN INSTALLATION



0.8m Frame



1m Frame



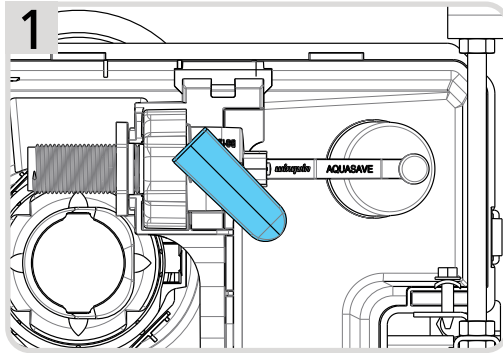
8

FINAL COMISSIONING



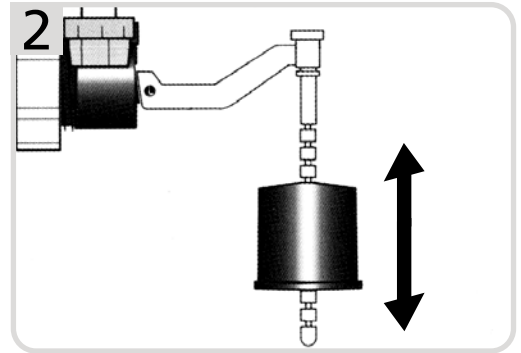
ATTENTION

Ensure the diverter is positioned to allow the discharged water a clear unobstructed passage into the cistern.



Allow the cistern to fill and check thoroughly for leaks around the toilet, cistern, water inlet, flush pipe and waste connections.

Check that the inlet valve shuts off on the water line indicated inside the cistern. If adjustment is needed, move the float up or down the notched stem as required until the inlet shuts off on the water line indicated.



Hold the inlet valve down to cause the cistern to internally overflow. Ensure that the overflow can discharge the incoming water. If necessary, reduce the incoming water flow by partially closing the isolation valve.

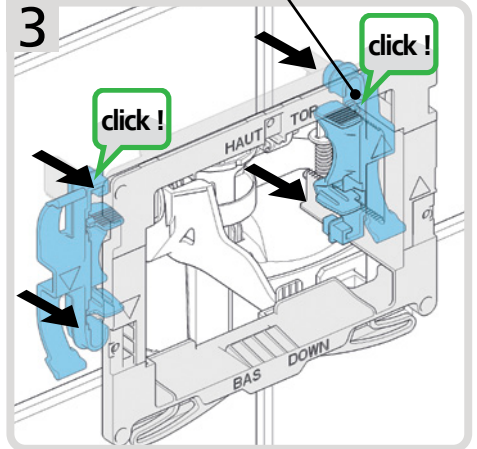
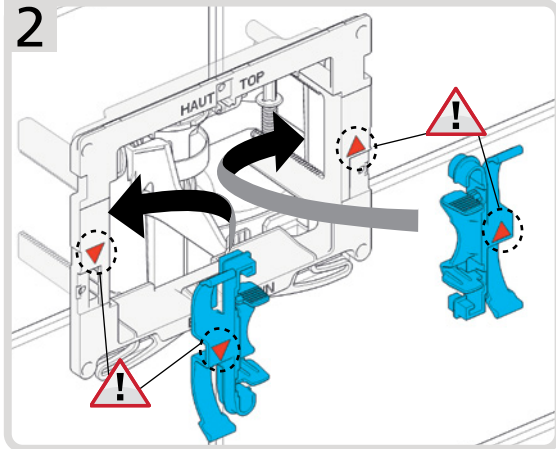
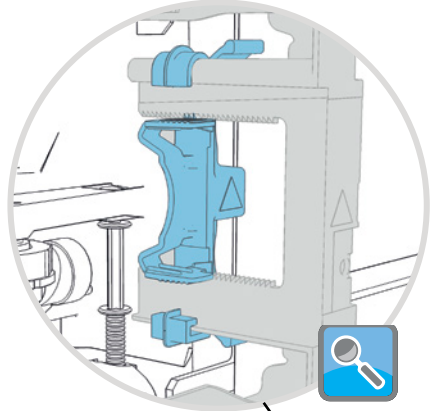
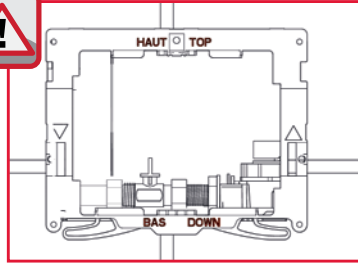
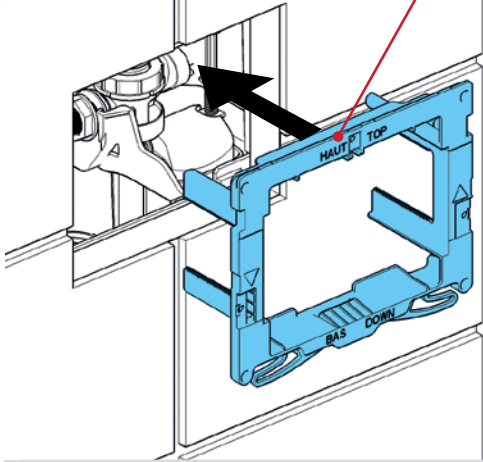
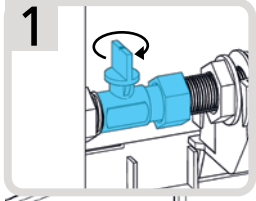
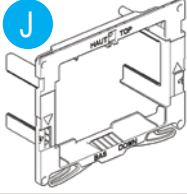
9

PUSH PLATE INSTALLATION

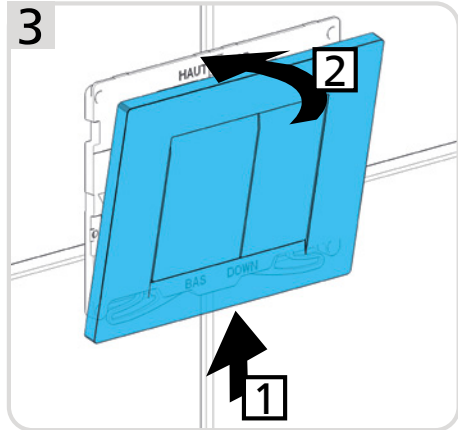
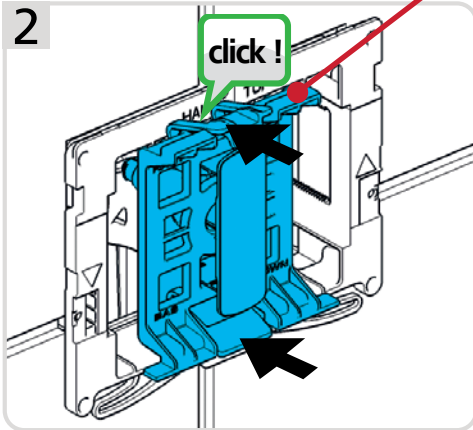
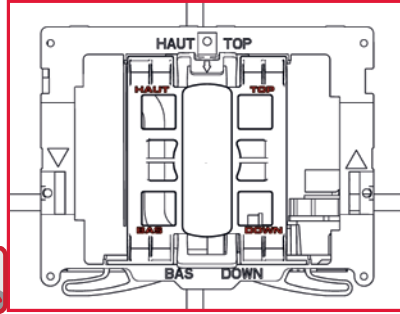
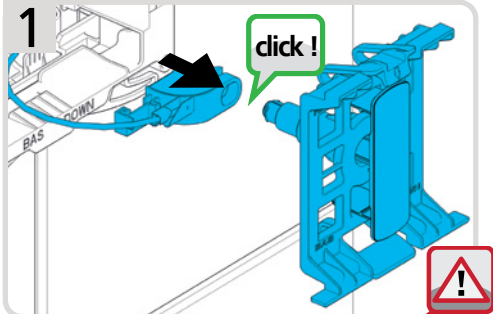
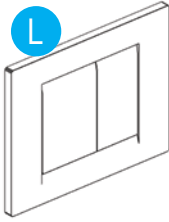
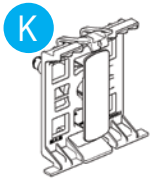
I x2



J



10 PUSH PLATE INSTALLATION



HELPLINE

Should you require any technical help in association with your Wirquin products, please call our customer service number 0333 222 44 88 with your query.

WARRANTY: 10 Years

For more detail on warranty information, please visit our website: www.wirquin.co.uk



WIRQUIN Ltd | Warmsworth Halt Ind Est | Warmsworth | Doncaster | DN4 9LS

www.wirquin.co.uk

wirquin