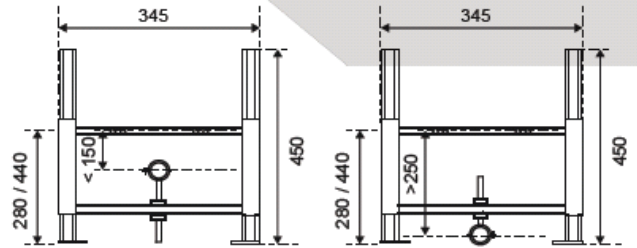
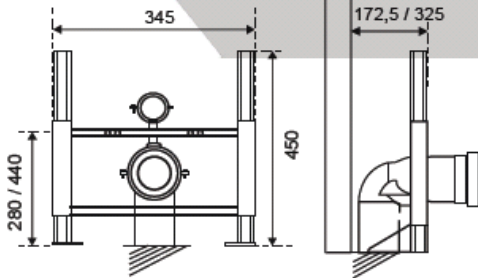
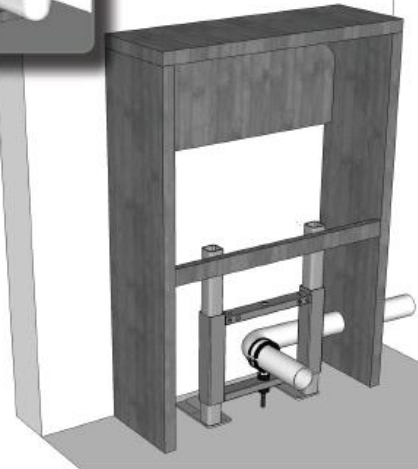
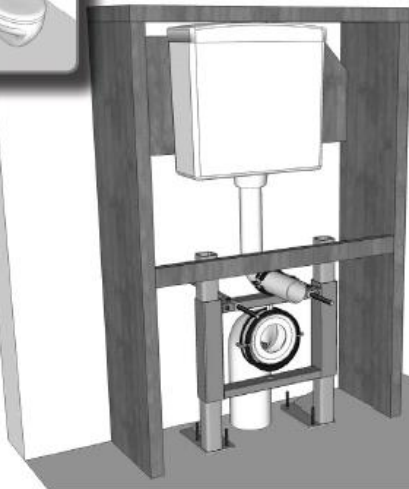


# LOW WC AND BIDET FRAME



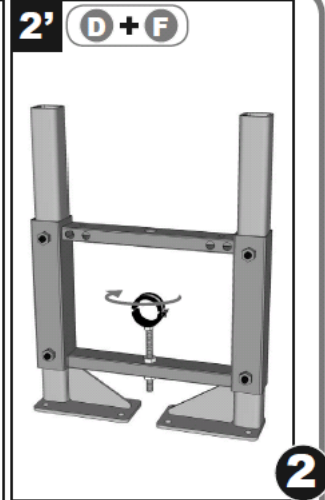
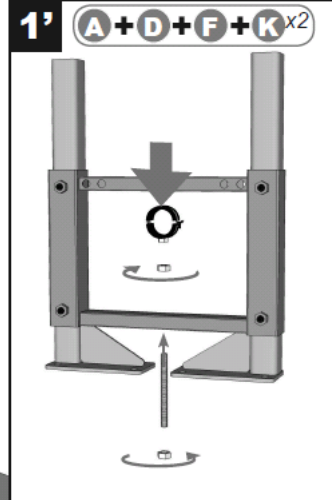
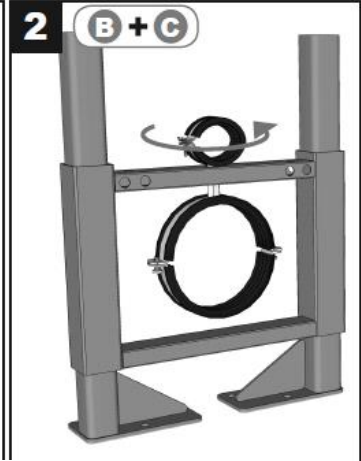
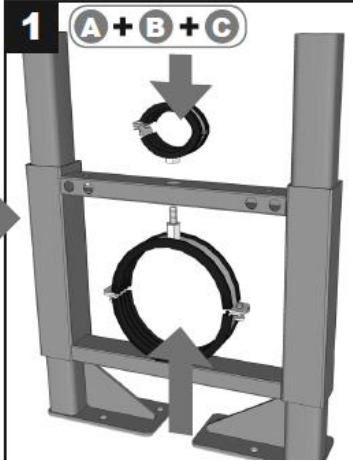
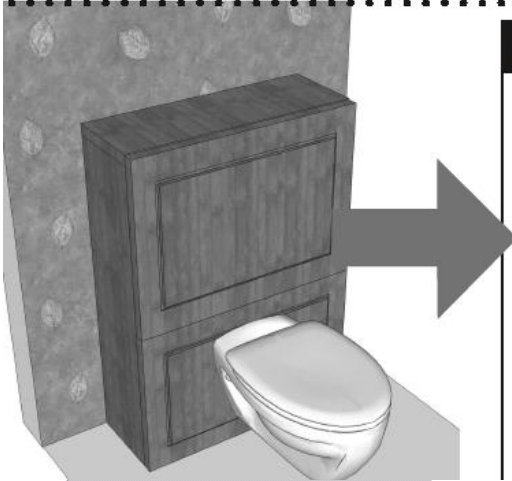
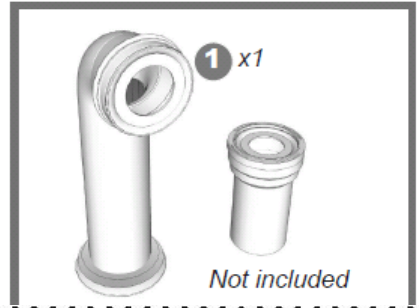
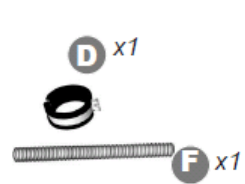
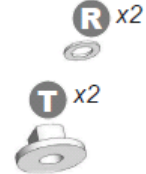
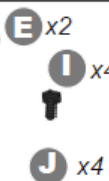
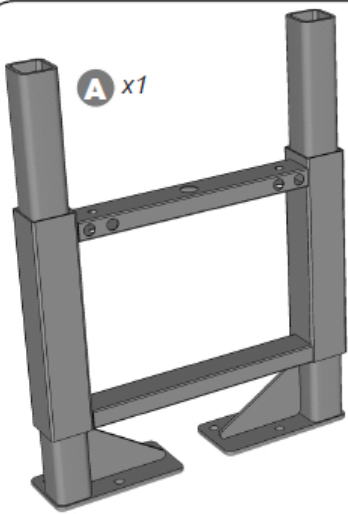



Wirquin Ltd - Warmsworth Halt Industrial Estate - Warmsworth - Doncaster DN49LS

[www.wirquin.co.uk](http://www.wirquin.co.uk) – Sales@wirquin.co.uk

**wirquin**  
**PRO**

SANITARY EQUIPMENT SPECIALIST



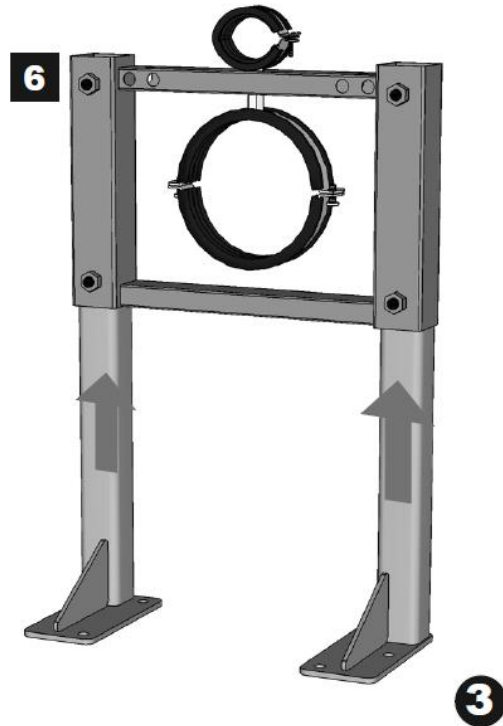
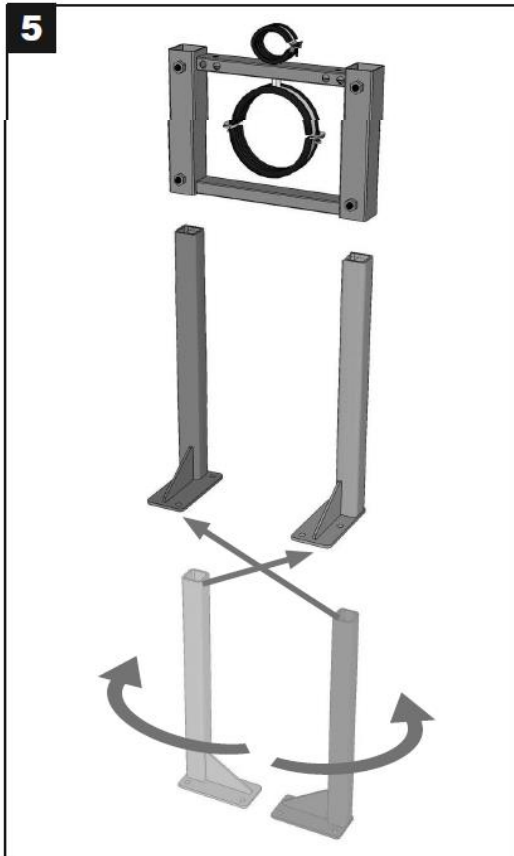
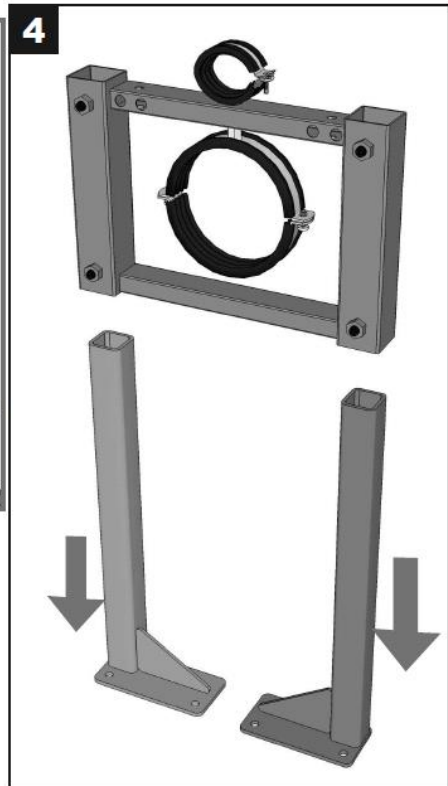
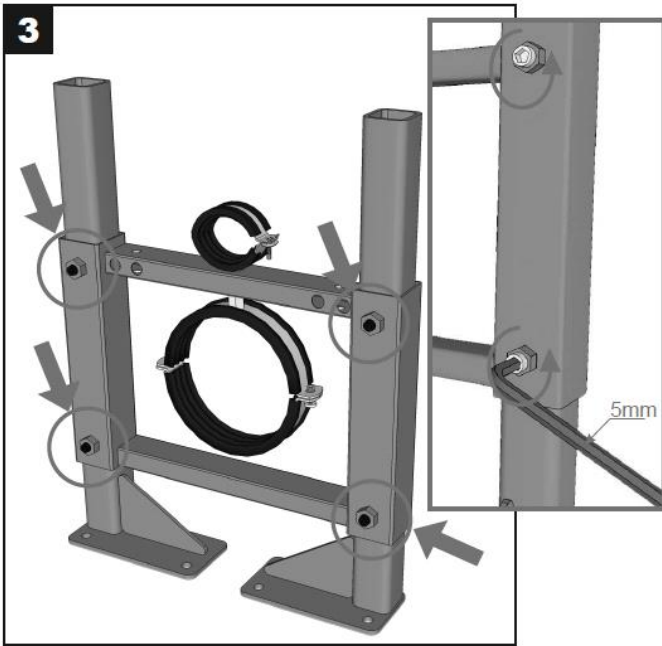
2

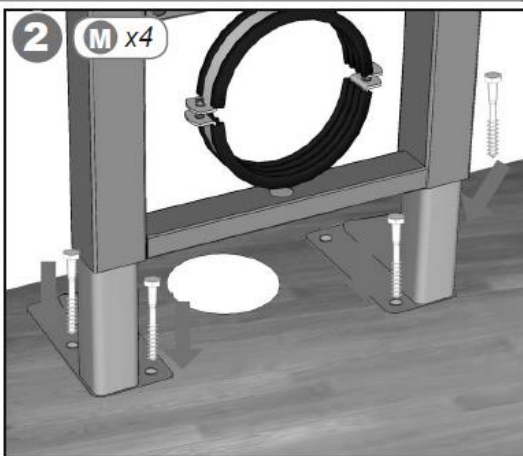
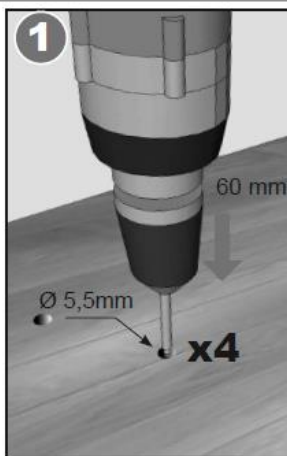
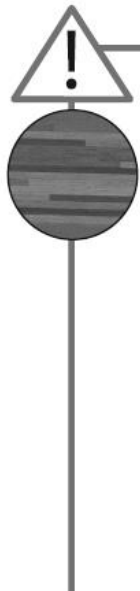
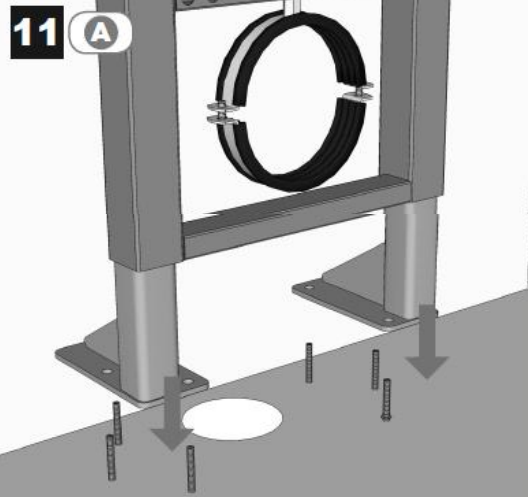
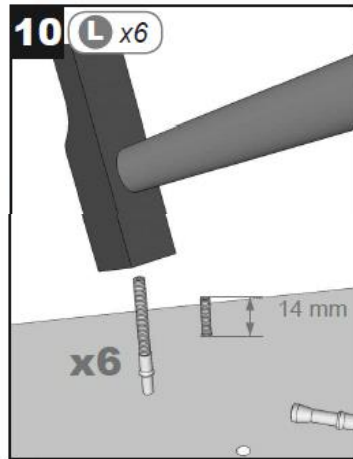
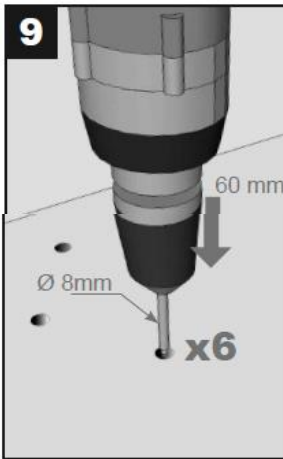
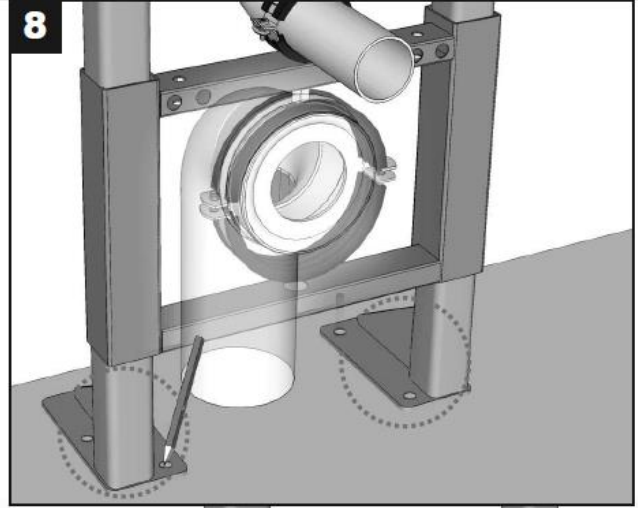
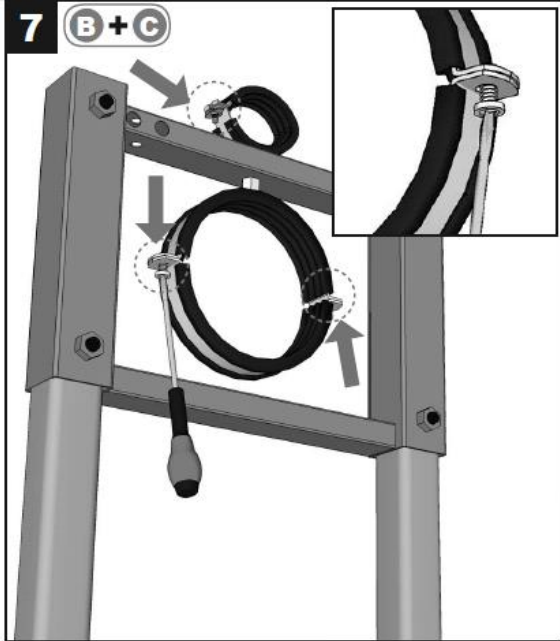
Wirquin Ltd - Warmsworth Halt Industrial Estate - Warmsworth - Doncaster DN49LS

[www.wirquin.co.uk](http://www.wirquin.co.uk) – Sales@wirquin.co.uk

**wirquin**  
**PRO**

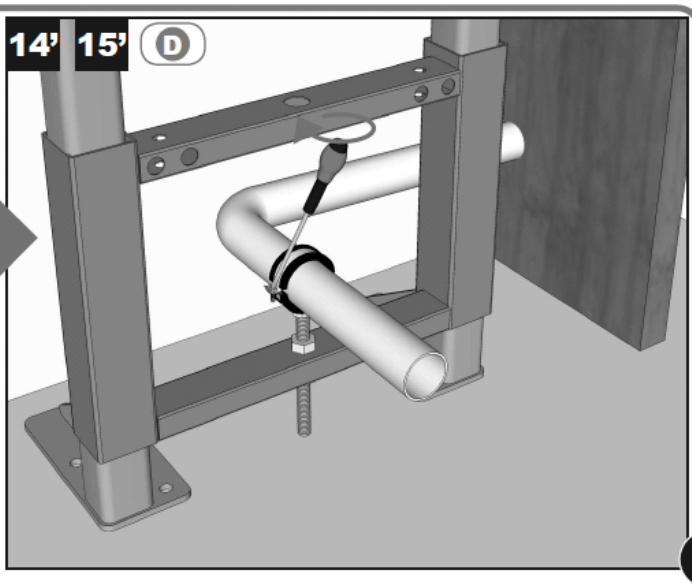
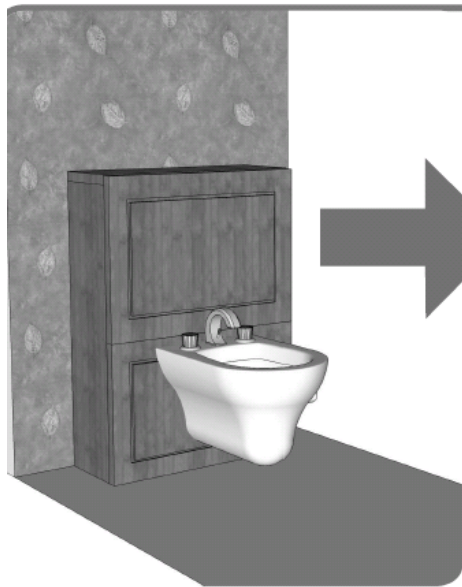
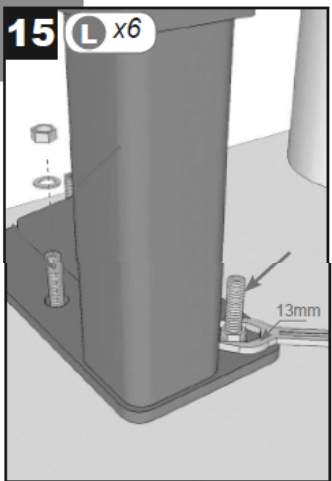
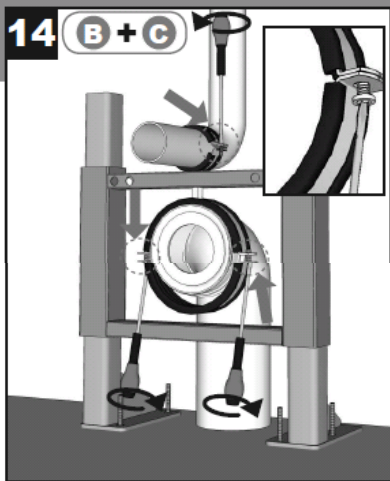
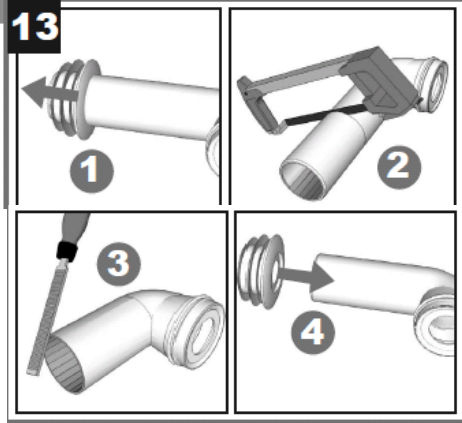
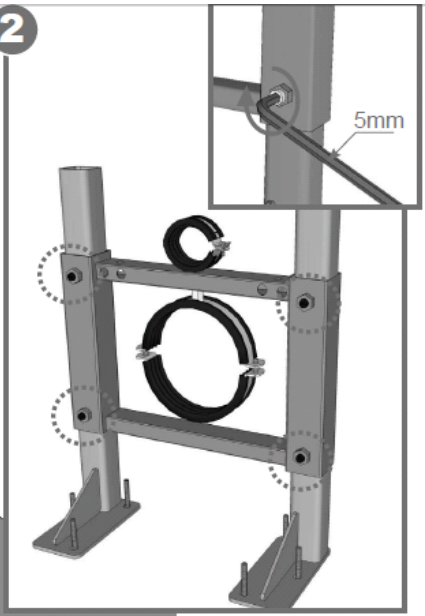
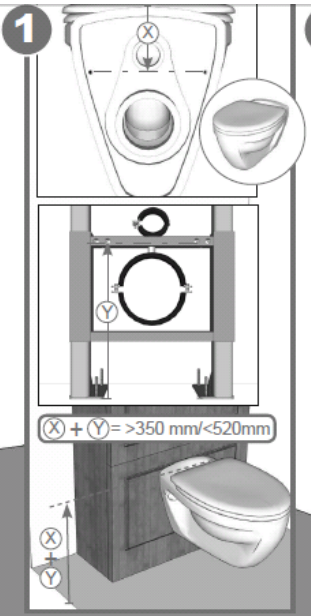
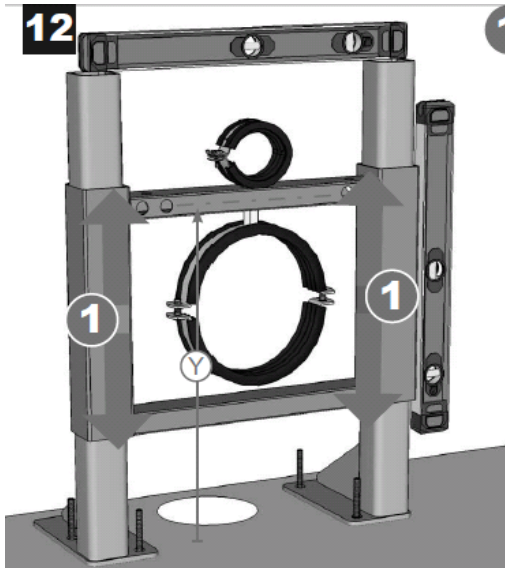
SANITARY EQUIPMENT SPECIALIST





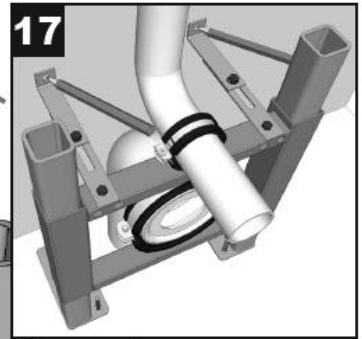
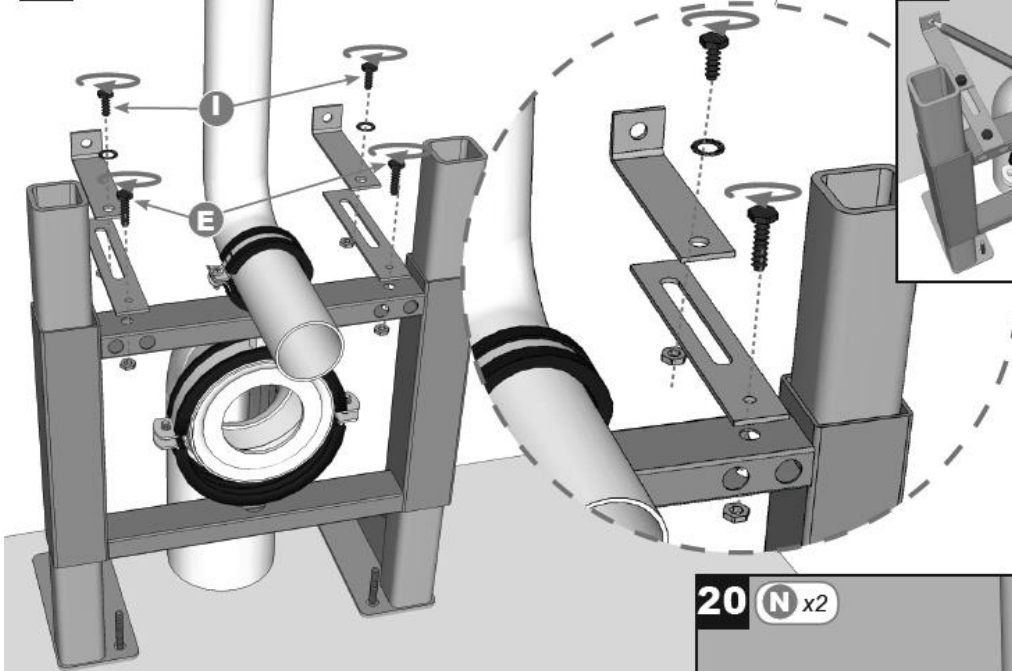
**4**



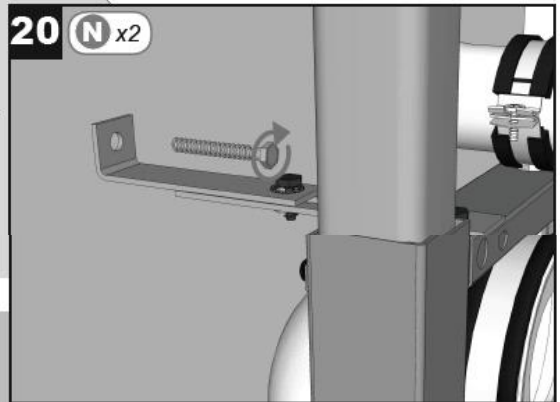


5

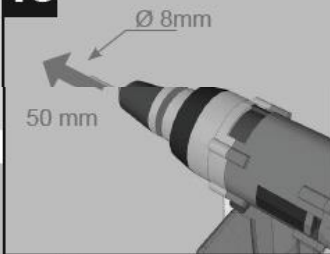
16 E x2 + G x2(x4) + H x2 + I x2(x4) + J x2(x4) + K x4(x6)



20 N x2



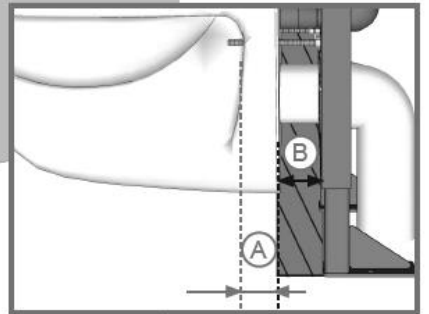
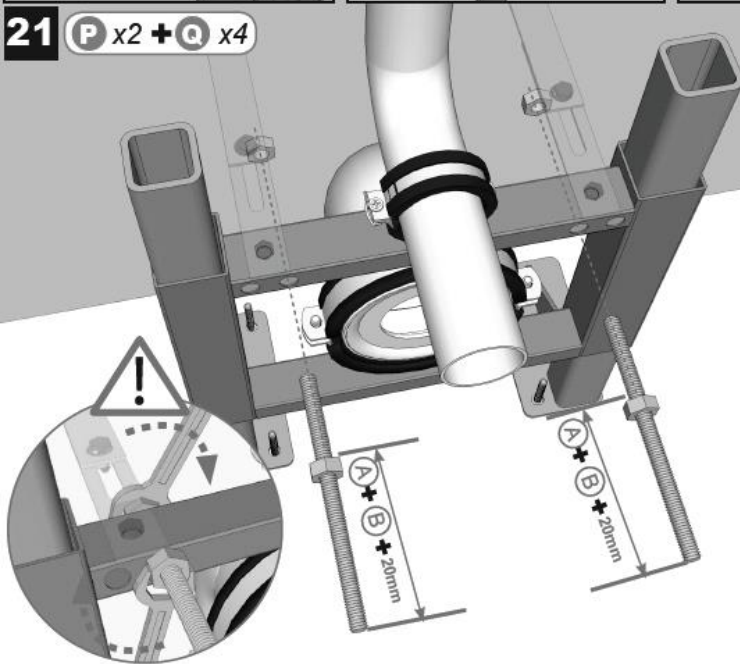
18



19

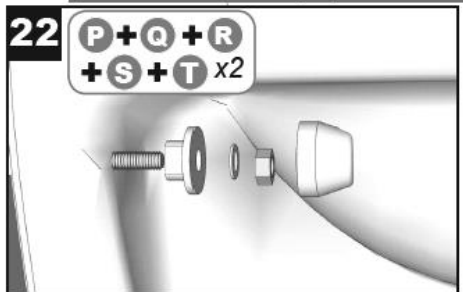


21 P x2 + Q x4



22

P + Q + R + S + T x2



6