

Basin Fixing Kit

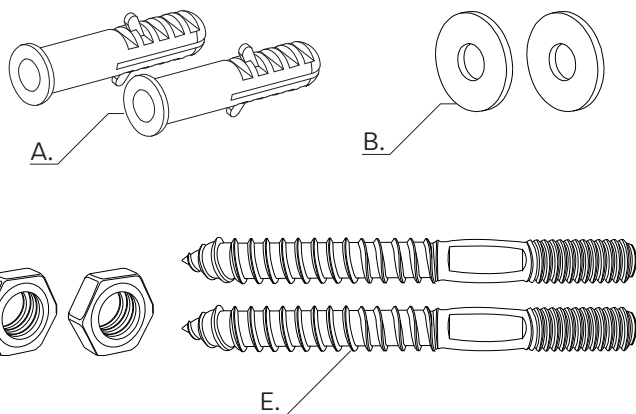
Before you Begin:

- This instruction shows how to fit the Basin Fixing Kit. Ensure the correct kit is being used in conjunction with your chosen Basin.
- **We recommend that this product is installed by a qualified tradesperson,** Victorian Plumbing Ltd. accept no liability for products incorrectly installed, or where the correct testing procedures have not been adhered to, thus resulting in the escape of water and consequential damage.
- Ensure the incoming mains water supply is switched off prior to commencing the installation.
- Observe all local plumbing and building codes & regulations.
- Unpack the product then read these instructions before proceeding. Inspect the product for damage. If any damage is found, contact our Customer Relations team.

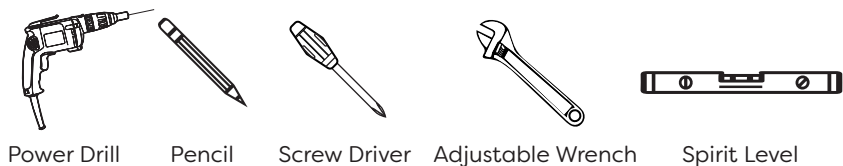
1 *Make sure that all components are present prior to installation.*

Fitting List:

- A. Rawl Plug (x2)
- B. Washer (x2)
- C. Spacer (x2)
- D. Hex Nut (x2)
- E. Wall Bolts (x2)



Tools Required (Not Supplied):



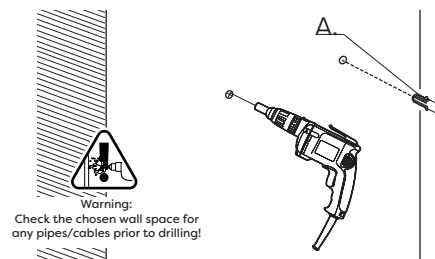
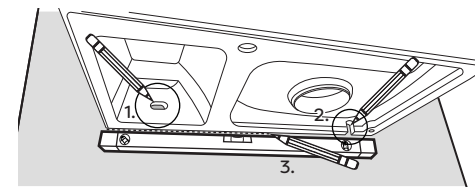
Note: Diagrams are for illustration purposes only. Your Basin Fixing Kit may superficially differ from this drawing however the installation guide steps still apply.

Recycling and Disposal:

- Please recycle the packaging in accordance with your local government regulations on waste handling and follow the same advice at the end of the products life.

2

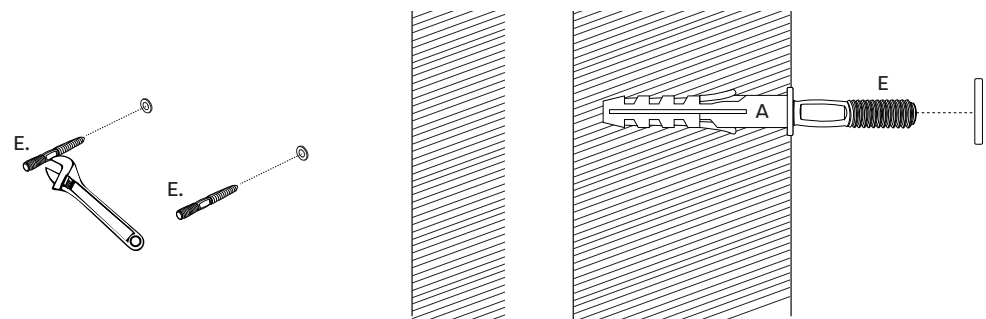
Hold the basin up at the desired height. Ensure that the basin is level using a spirit level then mark the location of the anchor holes.



Move the sink away from the installation location. Using the appropriate sized drill bit, carefully drill the holes in the wall, then insert the 'Rawl Plugs' (A)

3

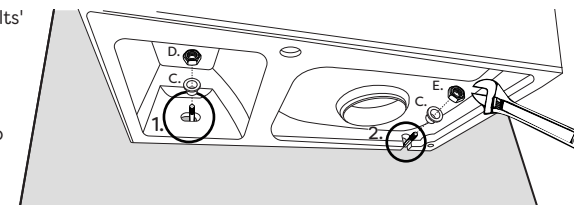
Insert the 'Wall Bolts' (E) into the 'Rawl Plugs' (A). Fully tighten into place with an adjustable wrench/spanner to ensure that the bolts are securely fixed to the wall. Place the 'Washers' (B) over the 'Wall Bolts'.



4

Place your chosen basin onto the 'Rawl Bolts' and secure the basin in place with the 'Spacers' (C) and 'Hex Nuts' (D) provided. Ensure the basin is level using a spirit level.

Proceed to the installation of the drain tap and water supply lines. Refer to their respective instructions for guidance if needed.



Cleaning and Aftercare:

- **Warning:** Do not use abrasives, scourers, bleach or any type of chemical cleaning solution when cleaning the fixing kit. It is recommended to use warm soapy water and a clean damp cloth.
- Check that the fixings are still fully tightened against the wall every few months. Tighten the fixings if they are loose.

For more information visit: www.victorianplumbing.co.uk