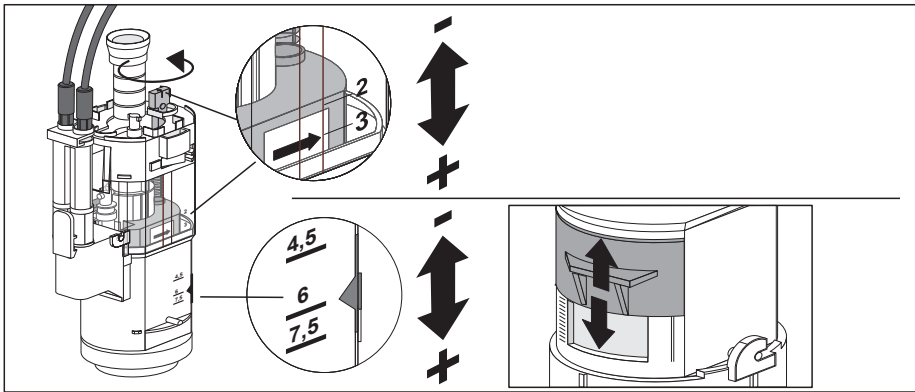
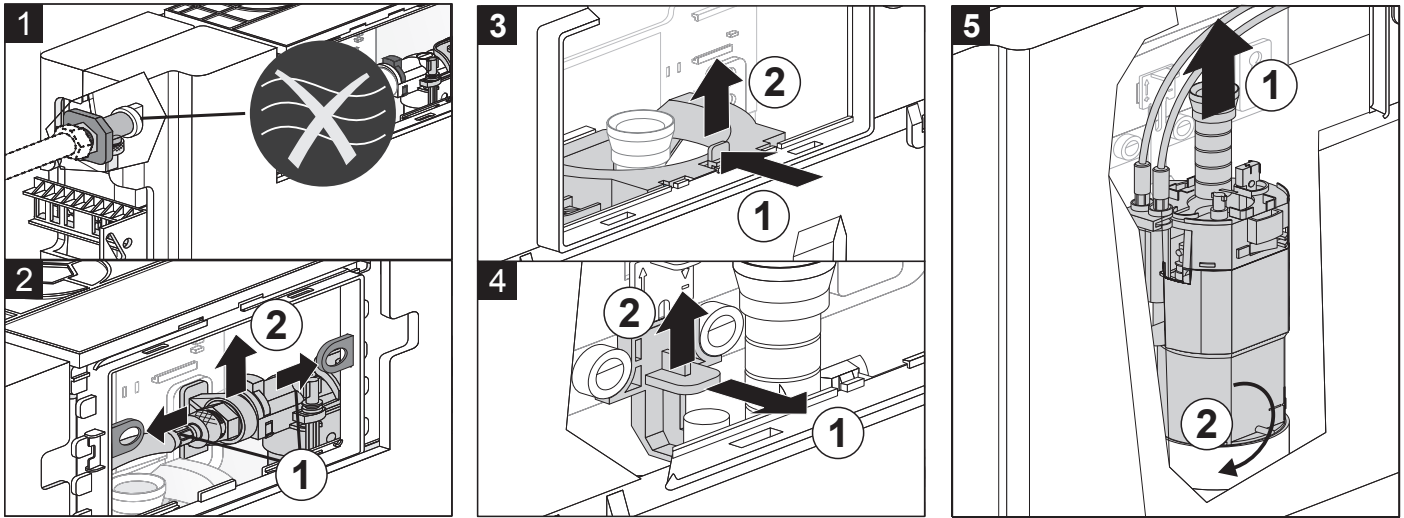


**Service**



<b>CE</b>
Villeroy & Boch AG Saarferstraße 1 D - 66693 Mettlach
18
DoP Nr. M244-01 CC-122-S-UO-2V-2C Personal hygiene
EN 14055-CL1-6-NLI-VR11

