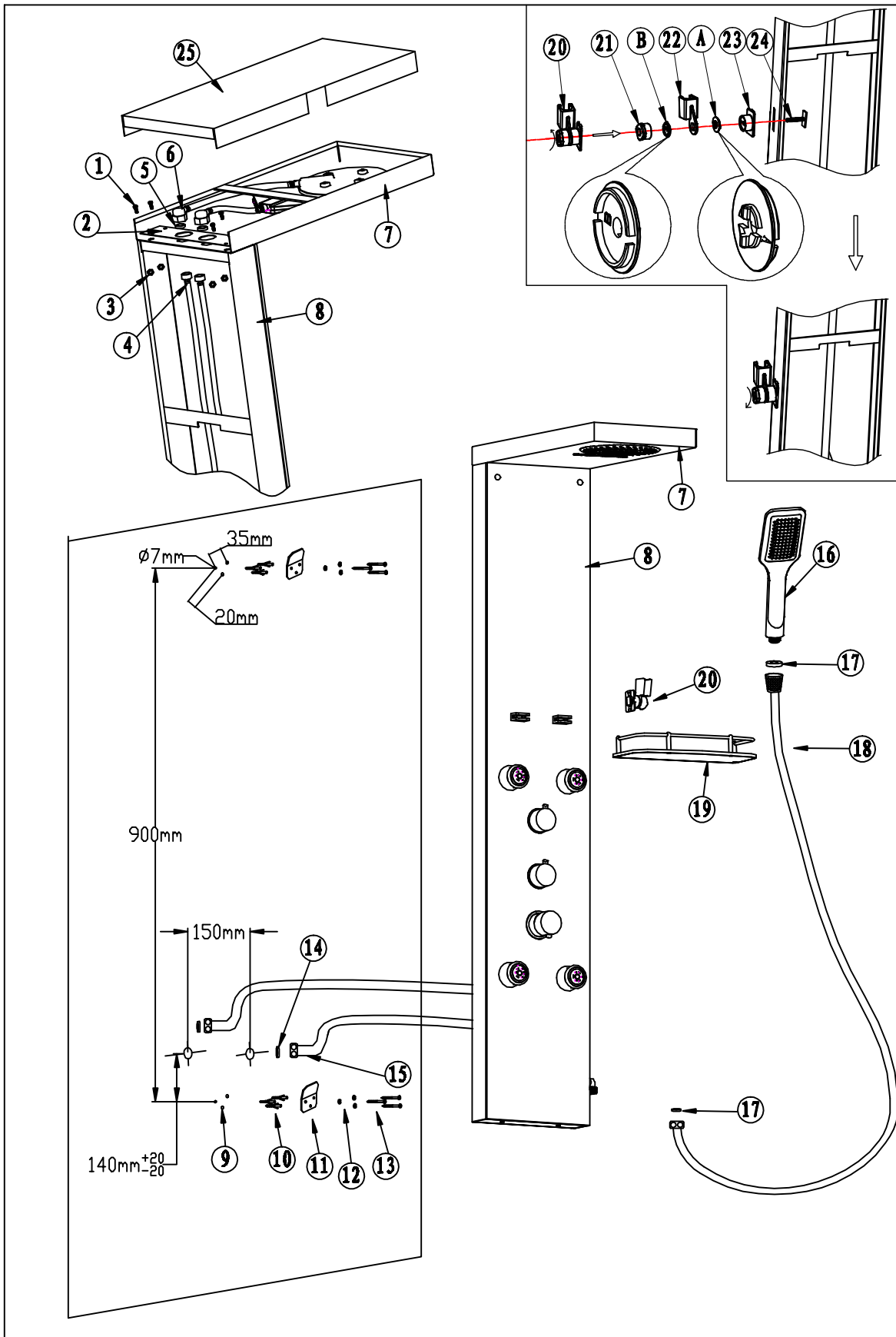


Installation Procedure SL3101-1-T (1.5-5Bar)



Shower Panel S3101-1-T Installation Guide

Refer to the technical diagram to choose the proper location for your shower panel, you can adjust the column's vertical position based on the person's height. (Measurements given in the technical diagram are based on the average human height. 68 5/7")

Flat wall Installation

1. Take out S/S back cover (25). Put four M5 screws (1) through the holes of S/S plate (2) and top part (7), which is on the body (8) at the four corners. Then tighten it with the M5 nuts (3).
2. Place the rubber washer (5) into the connector (6) of head (7). And connect connector (6) with the shower hose (4) in body (8).
3. Assemble the shower holder (20). Firstly pls make sure you put the white plastic plate (A) and (B) for the right position, then secure the parts (23) (A) (22) (B) (21) with bolt (24) from the back of the panel.
4. Choose the proper location for your column and mark the drill 6 holesØ7mm (9). Drill the holes on the distance 35mm and 20mm from each other. Drill the holes on the distance 900mm from upper holes to lower holes.
5. Insert wall anchors (10) inside the holes (9). Fix the bracket with s/s gasket (12) and screws (13).
6. Attach the supply braided hose (15) and to the hot water outlet and cold water outlet with mesh gasket (14).
7. Hold up the column (8), hang the column on the bracket (11) on the wall.
8. Unscrew the screws on the soap dish holder, insert the soap dish (19) into the holder, and then tighten the screws.
9. Attach the flexible shower hose (18) to the connector on the shower column (8) with gasket (17).
10. Placing the rubber washer (17) in the fastening nut and connect the hand shower (16) to the hose (18).

NOTE: 1. Do not forget to use the rubber washers to prevent leakage on the connection. If you find that pressure or water volume is unusual, please clean the mesh gaskets (14) regular.

2. Recommend water pressure:1.5bar-5bar

3. Minimum required pressure : 0.3 Bar