

WhirlPool Installation & Cleaning Guide



Electrical Connections



Grounding (Earth) is required. The unit should be installed and grounded by a qualified electrician.

Earth Leakage circuit breaker should be installed to turn off the circuit in case leakage current >30 mA

The unit should be connected to source voltage of 220 VAC With Frequency of 50Hz

Don't operate hydromassage system unless the bath is filled with water to at least 25mm above the highest jet.

Cleaning



Don't clean the tub and accessories with hard or coarse material to avoid any scratches.



Don't clean the tub and accessories with organic solvents to avoid any damages.



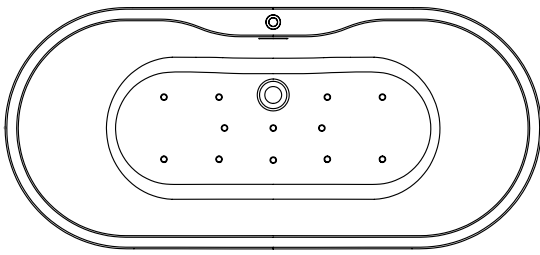
Clean the surface with a soft cloth and soapy water.



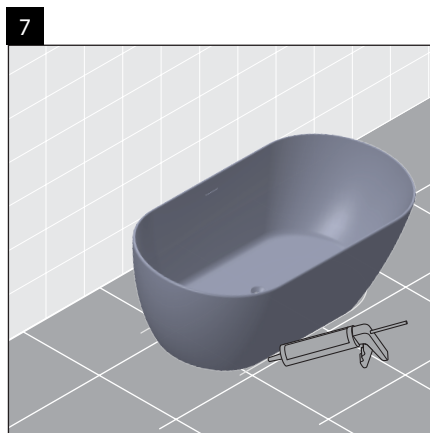
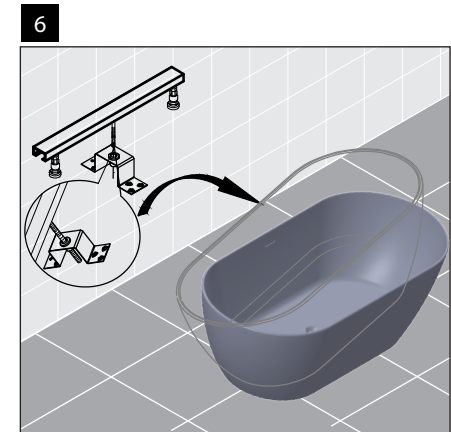
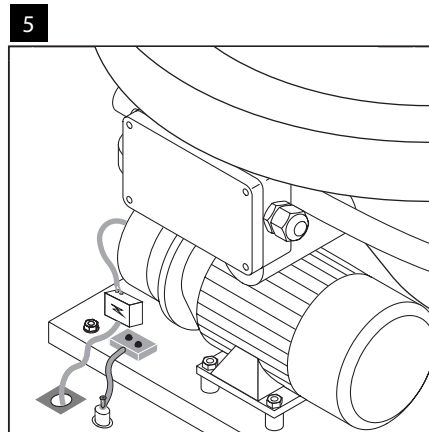
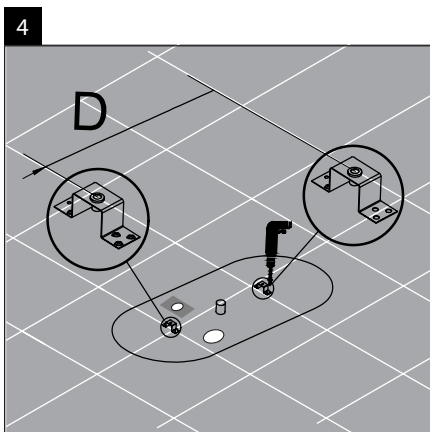
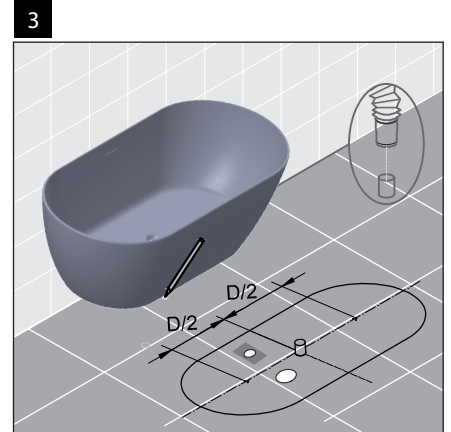
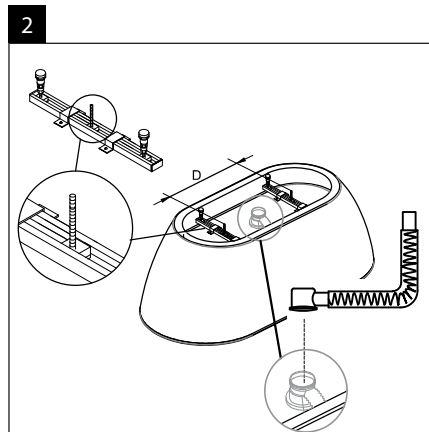
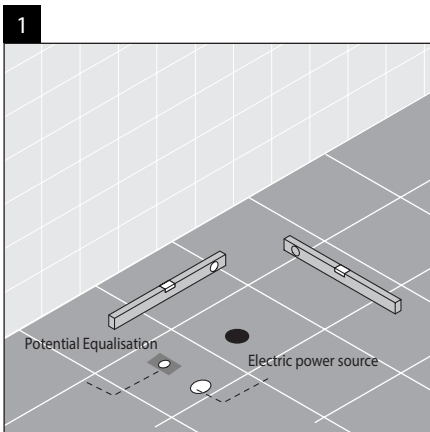
It's not recommended to leave water in the tub for long time or use this tub for washing purpose. Pls drain off the water after the bath and disconnect the power supply.

Napoli FST Whirlpool System

Mounting Instructions



No. of Air jets 12
Power of Air blower 700W



- 1- Connect the mains to circuit breaker < 30 ma .
- 2- Connect the earth to the steel structure of the whirl.tub .
- 3- Connect the earth to the copper rod .
- 4- Connect the copper rod to the bottom of the tub and the bathroom ground .

