

# Assembly Instructions

## Instructions for installing the bath and the panel

### List of elements:

- 1. Bath - 1 item
- 2. Frame rails - 2 items
- 3. Wood screws - 12 items
- 4. Bath legs - 4 pieces
- 5. Leg nuts - 12 items

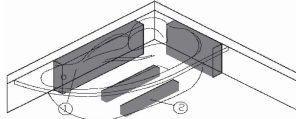
- 6. Foot with thread - 4 items
- 7. Foot stabilization stand - 4 items
- 8. Wall plugs - 4 items
- 9. Wall brackets - 4 items

### For mounting the casing:

- 10. Panel - 1 item
- 11. Mounting clips - 8 items
- 12. Wall plugs - 4 items
- 13. Wood screws - 12 items
- 14. Floor screws - 4 items

### Bath installation on the base:

- 1) Base
- 2) Stand



### Before You Start.

- Read these instructions carefully.
- Check the pack & make sure you have all parts listed. If not, contact your supplier who will be able to help you.
- When ready to start, ensure that you have all the right tools to hand, plenty of space & a clean dry area for assembly.
- Remove packing & protective film & inspect product prior to the commencement of assembly. Any damages found must be reported to the product supplier immediately.
- Remove & discard any transportation screws as they are not required for installation.

It is recommended that when the bath needs turning 2 people should carry out his operation.

### Fitting Instructions:

- Turn the bath over so it is sitting on the top face. Ensure that the top face is protected so it cannot be scratched or damaged.

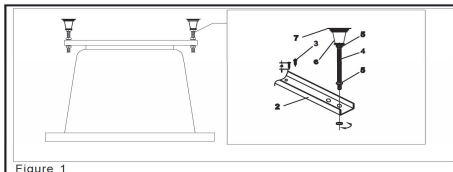


Figure 1

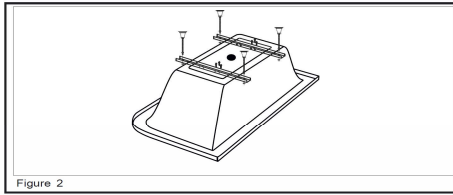


Figure 2

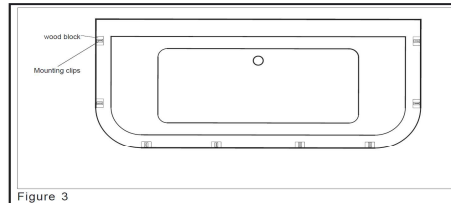


Figure 3

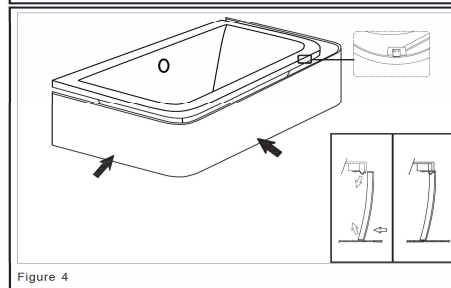
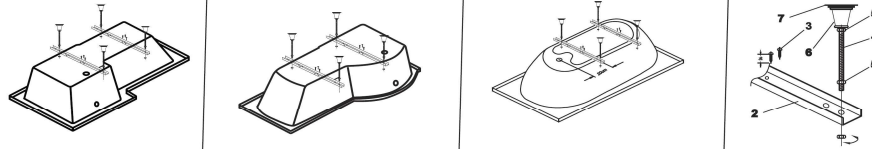


Figure 4

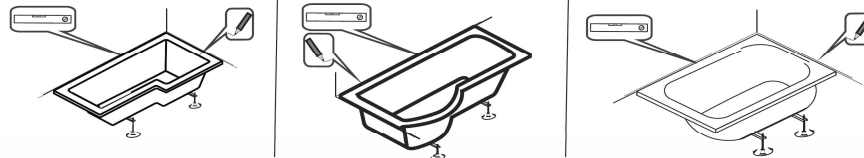
1. Place the bath as in Figure 2. Mount rails (2) to the bath bottom using wood screws (3) Then screw down legs (4). The rails spacing should ensure stability of the installed bath.

Figure 1



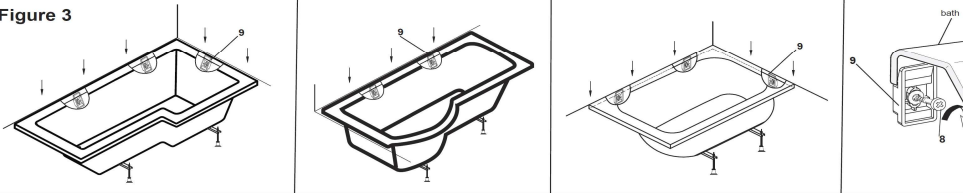
2. Put the bath in the selected place in the bathroom. Then level the bath legs (4). Mark the outline on both walls. Mark the places for brackets (9) (see Figure 3).

Figure 2



3. Mount the brackets (9) to the walls and slot the bath onto the brackets.

Figure 3



rew.1.1/12/08/15

4.

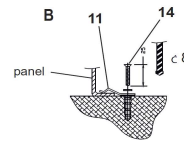
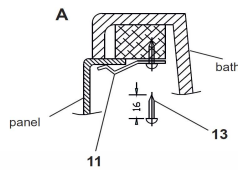
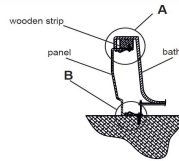
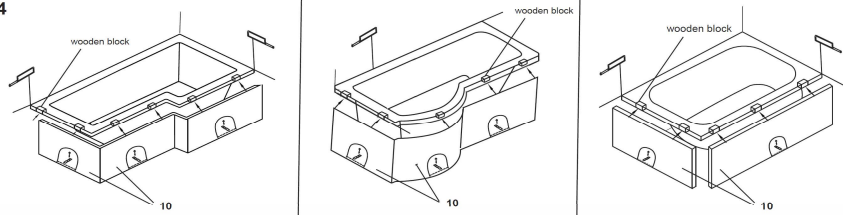
A. Tighten the clips (11) to the wooden block under the bath rim

B. Tighten the clips (11) to the floor using screw provided (14)

C. Install the panel as shown in Figure 4. If necessary the panel can be trimmed to the required dimensions.

The panel is a separate product.

Figure 4



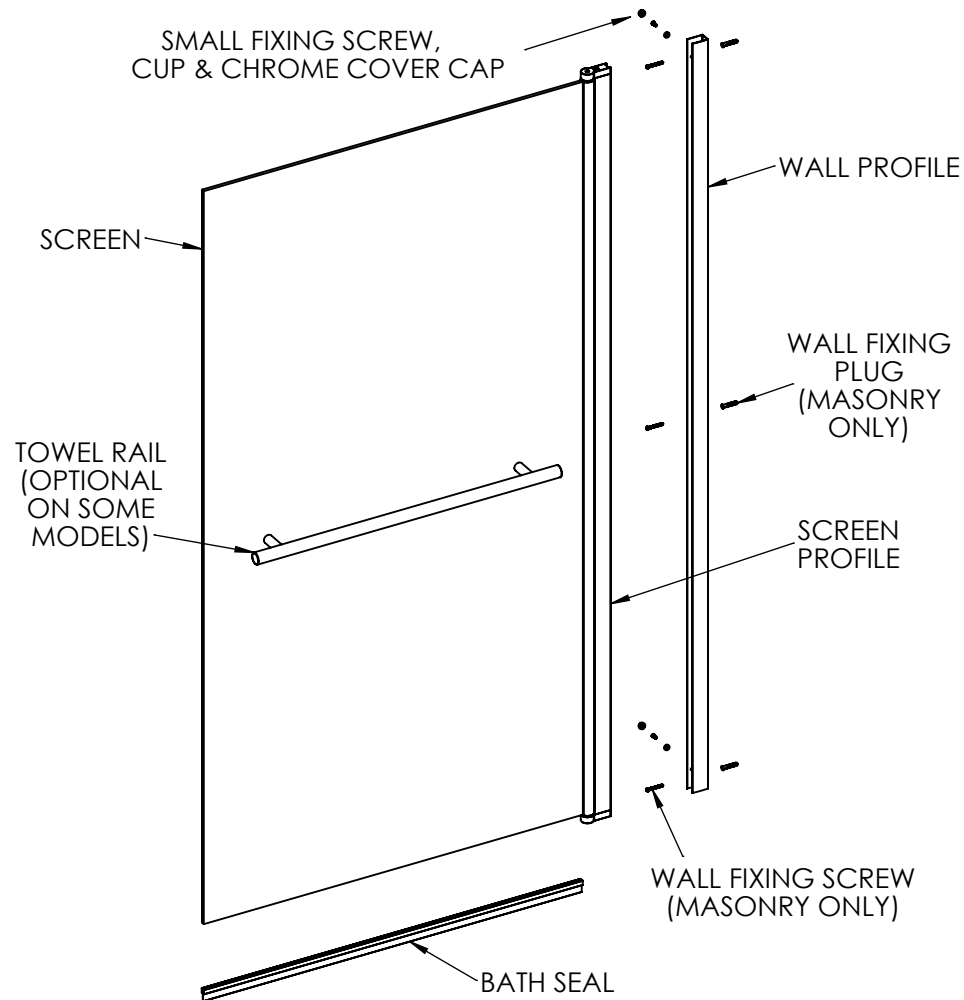
# BATH SCREEN INSTALLATION

THIS INSTRUCTION COVERS OTHER MODELS, PLEASE READ **ALL** PAGES  
WE RECOMMEND THAT THE INSTALLATION OF THIS PRODUCT IS CARRIED OUT BY A  
COMPETENT PROFESSIONAL.

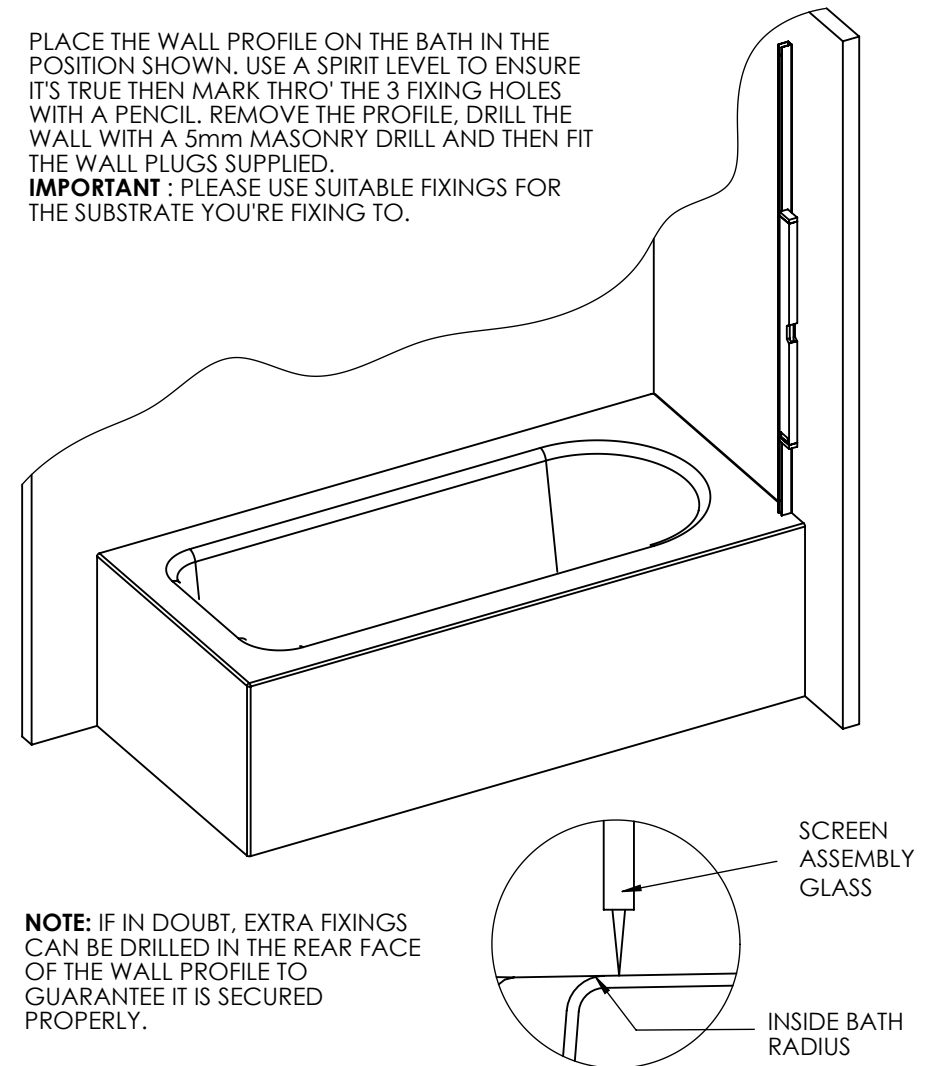
UNPACK THE BOX AND ENSURE ALL COMPONENTS ARE PRESENT. NO REFUNDS OR REFITTING COST  
WILL BE GIVEN IF INCOMPLETE OR DAMAGED GOODS HAVE BEEN FITTED. THE TOUGHENED SAFETY  
GLASS SHOULD BE HANDLED WITH CARE AS IMPACTS CAN DAMAGE THE GLASS AND CAUSE IT TO  
FAIL AT A LATER DATE.

## TOOLS REQUIRED

POWER DRILL - PENCIL - 5mm MASONRY DRILL BIT - 3mm HSS DRILL BIT -  
CROSS HEAD SCREWDRIVER - SANITARY GRADE SILICONE SEALANT - SPIRIT LEVEL.

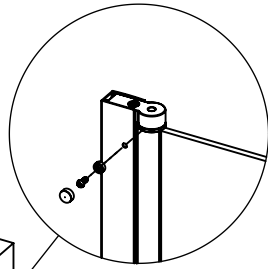


1. PLACE THE WALL PROFILE ON THE BATH IN THE POSITION SHOWN. USE A SPIRIT LEVEL TO ENSURE IT'S TRUE THEN MARK THRO' THE 3 FIXING HOLES WITH A PENCIL. REMOVE THE PROFILE, DRILL THE WALL WITH A 5mm MASONRY DRILL AND THEN FIT THE WALL PLUGS SUPPLIED.  
**IMPORTANT** : PLEASE USE SUITABLE FIXINGS FOR THE SUBSTRATE YOU'RE FIXING TO.

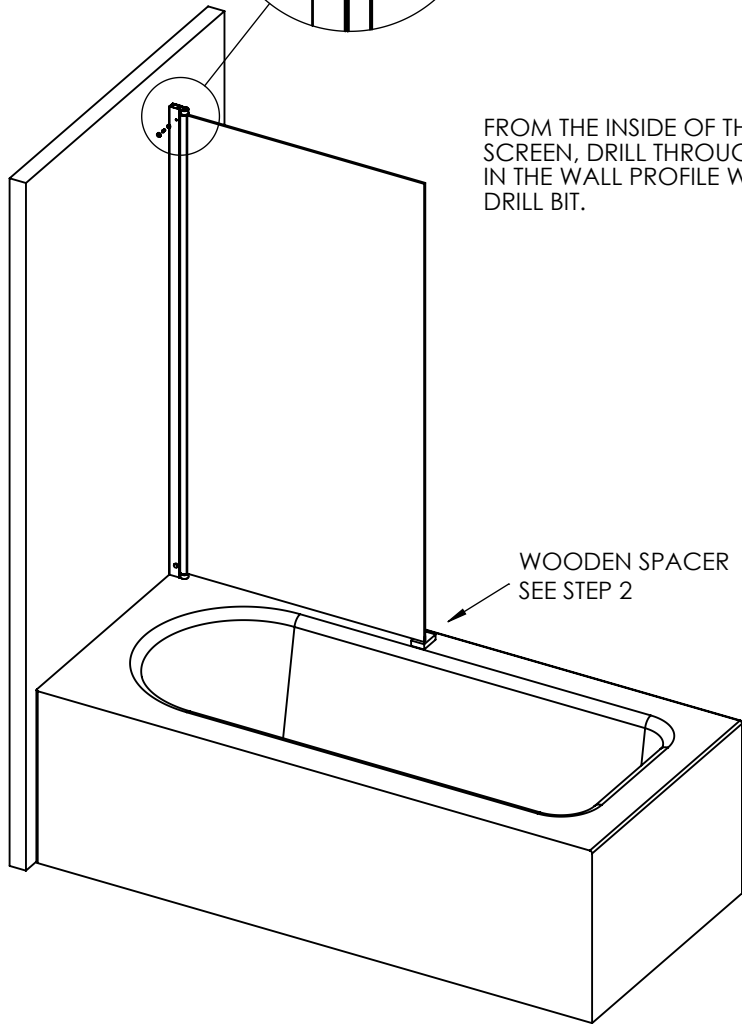


2. NOW SLIDE THE SCREEN ASSEMBLY INTO THE WALL PROFILE. THE BOTTOM EDGE OF THE GLASS PANEL **MUST** BE PARALLEL TO THE BATH TOP FACE. YOU CAN MAKE A WOODEN SPACER (18mm) TO FIT UNDER THE GLASS SO THERE IS AN EQUAL GAP ALL THE WAY LONG. THE SPACER WILL SUPPORT THE SCREEN PARALLEL WHILST YOU FIX IT IN PLACE AND THEN REMOVED.

3.



FROM THE INSIDE OF THE BATH SCREEN, DRILL THROUGH THE HOLES IN THE WALL PROFILE WITH A 3mm DRILL BIT.



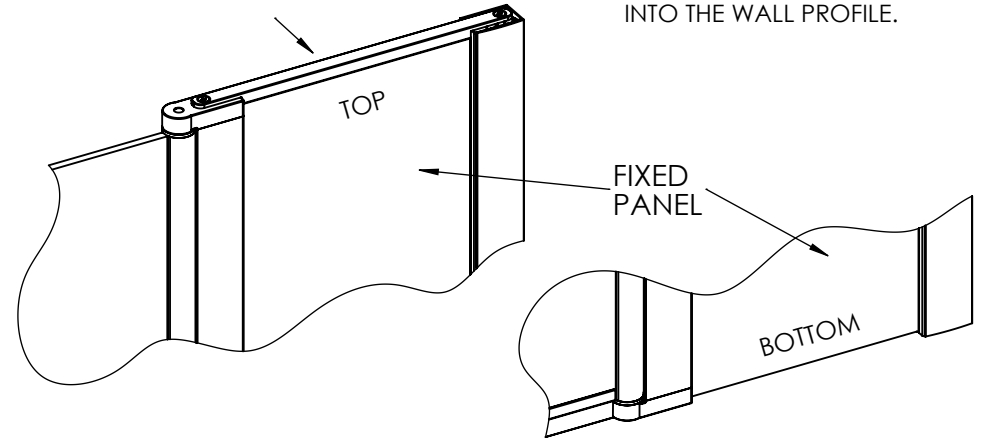
WOODEN SPACER  
SEE STEP 2

FIT THE SMALL SCREWS, CUP WASHER AND CHROME CAP IN 2 POSITIONS. THE SCREEN IS NOW FIXED IN PLACE

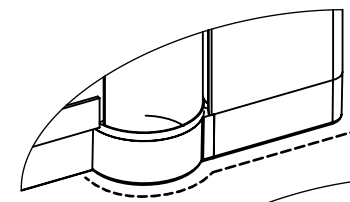
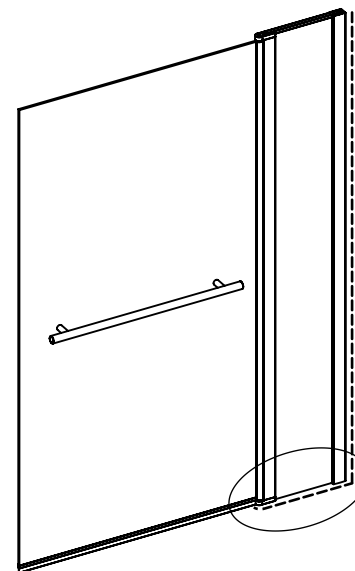
### EXTRA INFORMATION IF FITTING A SCREEN WITH A FIXED GLASS PANEL.

CHROME BRACING BAR TO THE TOP.  
**DO NOT REMOVE, ESSENTIAL STRUCTURAL PART.**

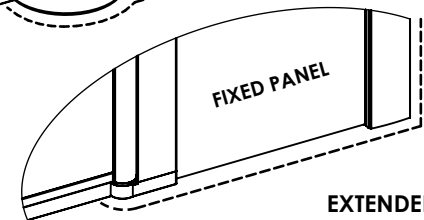
FIT THIS SCREEN IN EXACTLY THE SAME WAY AS STEPS 1,2 & 3. SLIDE THE FIXED PANEL INTO THE WALL PROFILE.



4. SILICONE AS BELOW - - - - ALLOW 24 HOURS TO DRY BEFORE USING.



**NON-EXTENDED SCREEN**



**EXTENDED SCREEN WITH FIXED GLASS PANEL**

**AFTERCARE:** ENSURE YOU CLEAN YOUR PRODUCT USING A MILD DETERGENT DILUTED IN WATER REMOVING ANY RESIDUE WITH A SOFT DAMP CLOTH.

**MAINTENANCE:** ENSURE MOVING PARTS ARE FREE FROM DEBRIS OR SOAP BUILD UP.