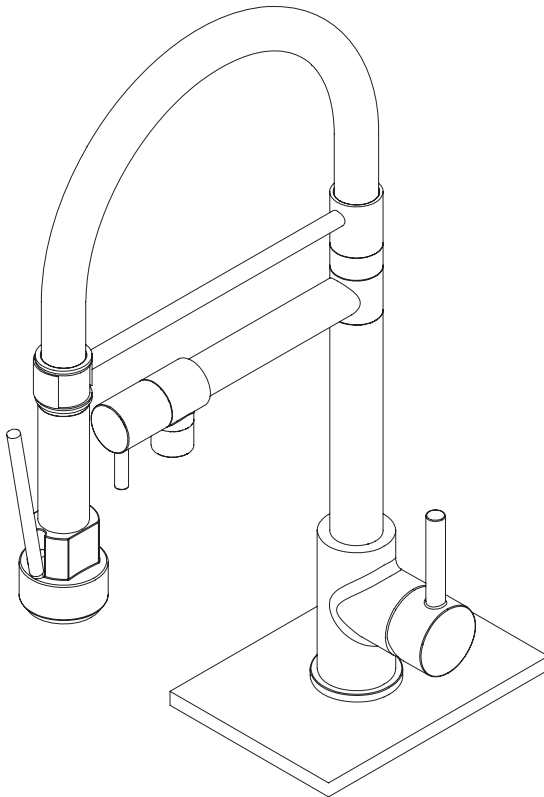




Kitchen Mixer Tap with Smooth Rubber Hose & Flexi Spray



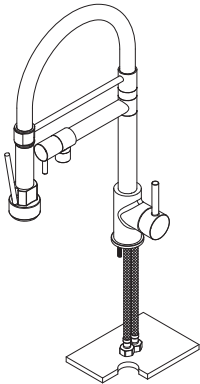
Fitting Instructions

Please follow them carefully and
leave this manual with end user

Before you begin:

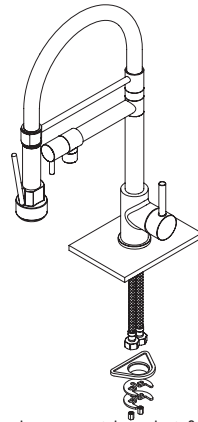
1. **We recommend that this product is installed by a qualified tradesperson.** Victorian Plumbing Ltd. accept no liability for products incorrectly installed, or where the correct testing procedures have not been adhered to, thus resulting in the escape of water and consequential damage.
2. Ensure the supply pipes have been thoroughly flushed to remove any debris.
3. Ensure the incoming mains water supply is switched off prior to commencing the installation.
4. Observe all local plumbing and building codes & regulations.
5. Unpack the product then read these instructions before proceeding. Inspect the product for damage. If any damage is found, contact our Customer Relations team.

①



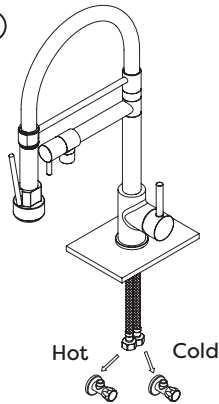
Install the threaded rods and hand-tighten the flexi-pipes into the bottom of the mixer body, then feed the assembly through the hole in the sink/counter top.

②



Slide the under-mount bracket followed by the rubber 'C' washer and metal 'C' washer. Tighten the back nuts with a suitable spanner to secure the mixer.

③

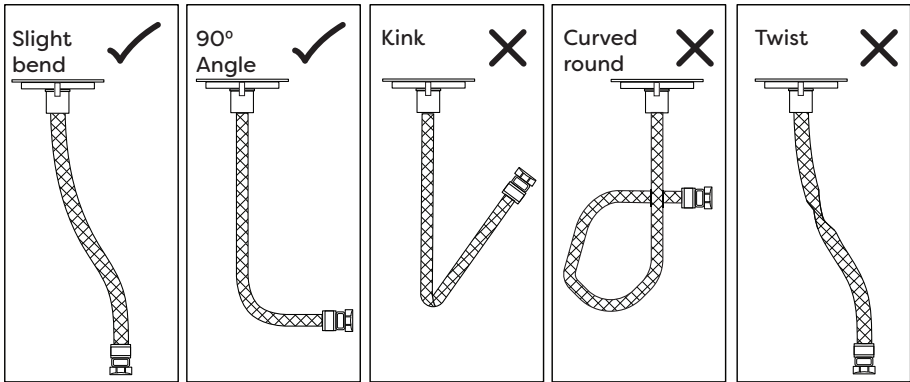


Flush the pipework then connect the flexi-pipes to the isolation valves. Turn on the mains water supply, run the tap and check all joints/connections for any leaks.

Note: Diagrams are for illustration purposes only. Your tap may superficially differ from this drawing however the installation guide steps still apply.

Flexible Connecting Pipes:

When installing the flexi-pipes to the household pipework. Special care must be taken to ensure they do not bend sharply causing a kink or twist. Failure to do so may result in poor performance and damage to the flexi-pipes.



Aftercare:

Always clean the surface of tap to keep it bright. **Attention:** please do not use inappropriate tools such as sharp brushes, rough sponges, scouring pads or corrosive detergent to clean the tap. Please clean the tap by wet cloth and soapy water. Then rinse the soap out with clean water and dry with a soft cotton cloth.

Recycling and Disposal:

Please recycle the packaging in accordance with your local government regulations on waste handling and follow the same advice at the end of the products life.

Troubleshooting

| FAULT | POSSIBLE CAUSE |
|--------------------------|--|
| Taps do not turn on | <ul style="list-style-type: none"> • Closed isolation valve. • Mains water supply turned off. |
| Water dripping from taps | <ul style="list-style-type: none"> • This is normal for a short time after using the taps. • If water continues to drip, possible build up of limescale in the cartridge valve. |
| Low or no flow rate | <ul style="list-style-type: none"> • Partially closed isolation valve. • Instantaneous water heater cycles on and off as flow rate pressure is too low. • Head of water is below the minimum distance required. • Hot or cold water being drawn off elsewhere causing pressure changes or instantaneous boiler temperature changes. • Airlock or partial blockage in the supply pipework. |

www.victorianplumbing.co.uk