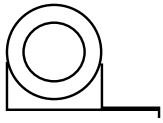


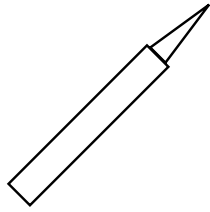
# SPLASH|BACK

## How to install our pre-drilled glass splashbacks

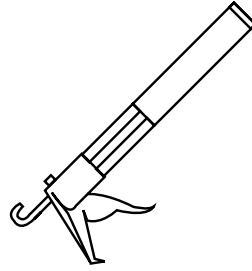
### What you need



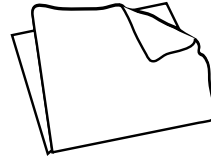
Tape Measure



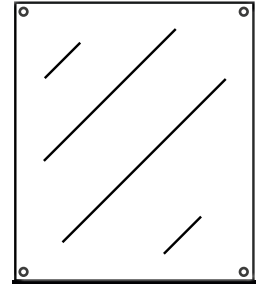
Clear Silicone Sealant  
- Low Modulus Type



Sealant Gun



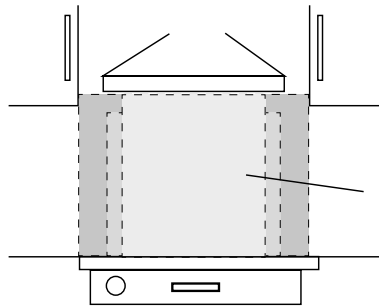
Clean Cloth



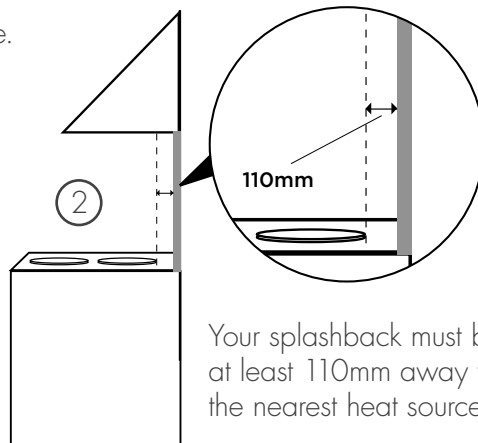
Splashback plus 4 x screws  
& 4 x wall plugs (supplied)

### Before you start

- 1 Check that your splashback fits the space. This will depend on size of splashback ordered and your preferred orientation.



Splashback  
to go here



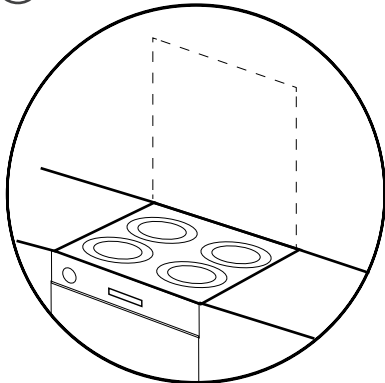
Your splashback must be  
at least 110mm away from  
the nearest heat source.

- 3 Check the surface is perfectly flat, non-porous, dry and dust free.

**Do not cut:**  
Our splashbacks  
are made from  
high quality  
toughened glass  
so cannot be cut.

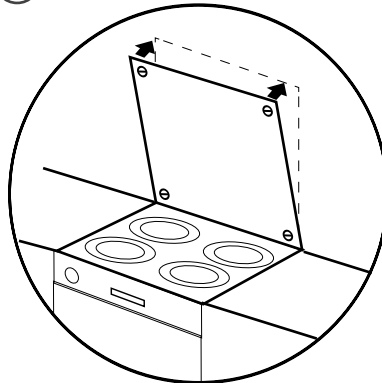
### Easy to apply

- 1 Mark & drill holes



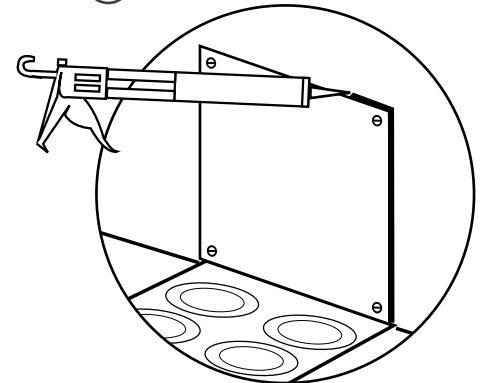
Decide where you want to position your splashback, then carefully and accurately mark where the drill holes need to be. Select the correct sized drill bit and determine depth of hole required. Once drilling complete, insert wall plugs firmly into holes.

- 2 Fix on the wall



Place the bottom edge of the splashback to the rear of the hob, lining up the pre-drilled holes with those on the wall. Insert the screws and fix to the wall.

- 3 Seal the edges



Use the Clear Silicone Sealant to seal around all four sides of the splashback. Take care to ensure that the sealant is no more than 2.5mm in thickness.

# SPLASH|BACK



## Health & Safety

### WARNING!



### SAFE HANDLING OF GLASS

We recommend that glass splashbacks are handled with care and that eye protection and suitable gloves should be worn. We advise that the product is brought to room temperature over a period of 24 hours if it has been subject to very hot or cold conditions beforehand.

### IMPORTANT

Unfitted glass is fragile. Do not place on hard surfaces prior to fitting. Special care should be taken with the corners of the product as impact will cause the glass to shatter.

## Aftercare

- ① Simply use hot water and a mild soap detergent to clean the glass splashback. Do not use abrasive cleaners.
- ② Leave the splashback for at least 45 minutes to cool before wiping as in extreme cases applying a cold cloth to a hot surface can cause the glass to crack/shatter.

## Guarantee

All our glass splashbacks are guaranteed for 5yrs. For more information, visit [www.splashback.co.uk/terms.htm](http://www.splashback.co.uk/terms.htm)

*Thank you for purchasing this splashback.*

We'd love to see your transformation. Why not take a photo of the space before and another once your splashback is in place, post on Instagram, and tag us @splashbackuk

For further information and inspiration, visit our website

**SPLASHBACK.CO.UK**

