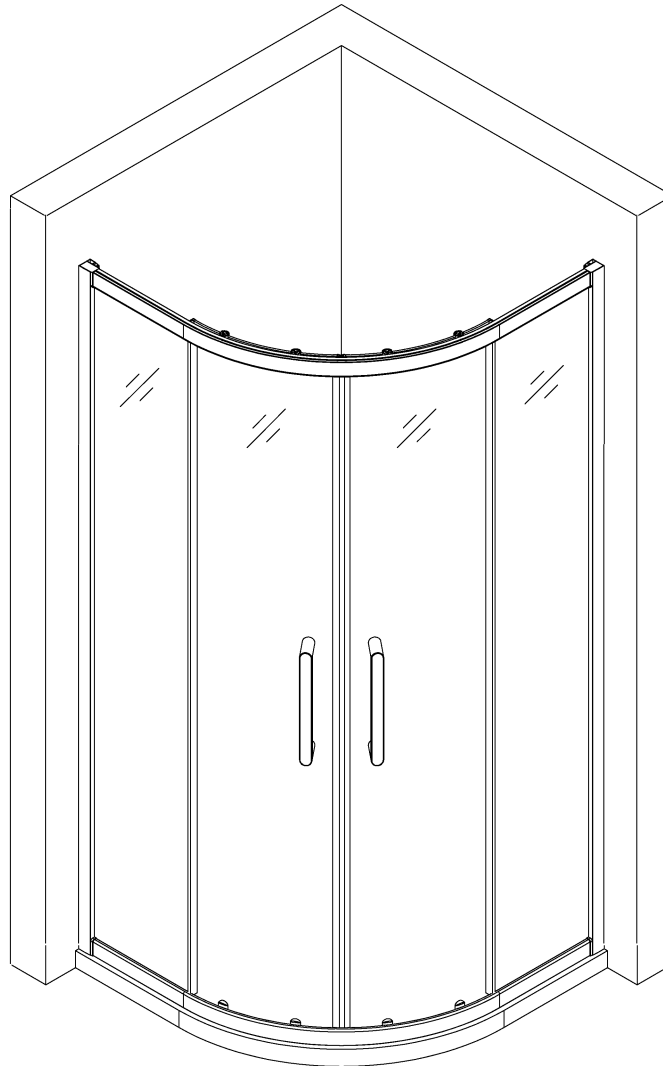
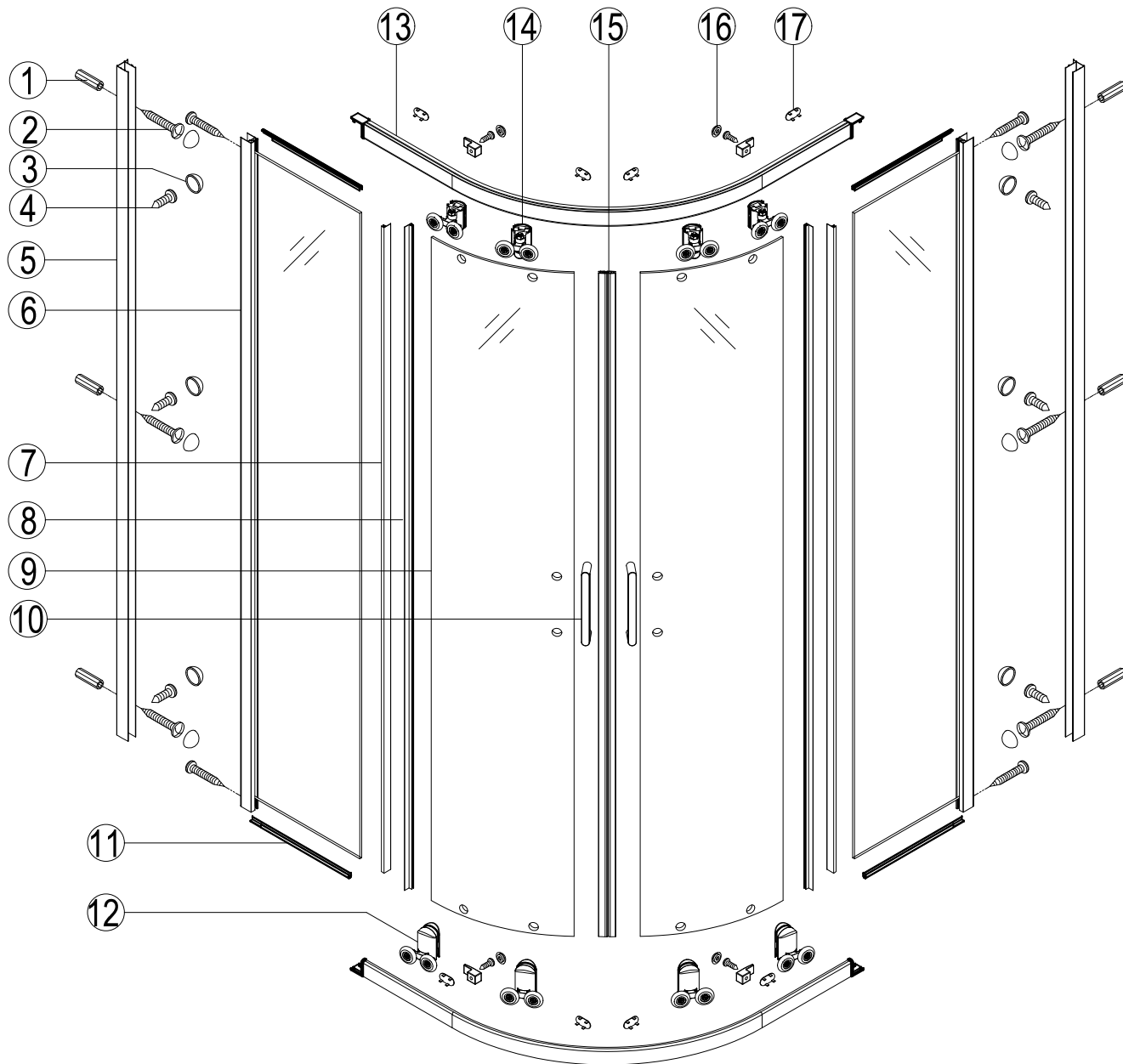
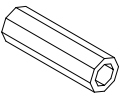
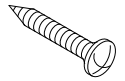
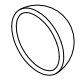

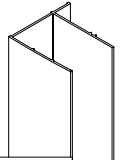
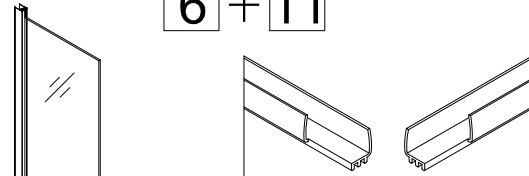
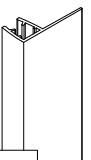
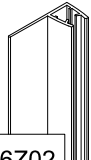
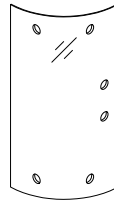
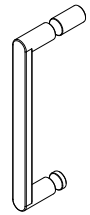
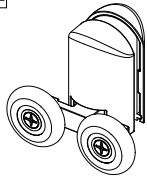
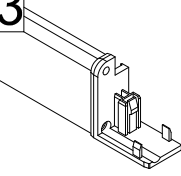
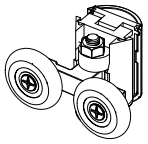
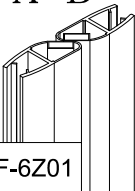
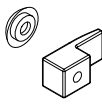
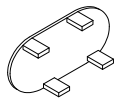
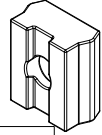
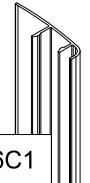
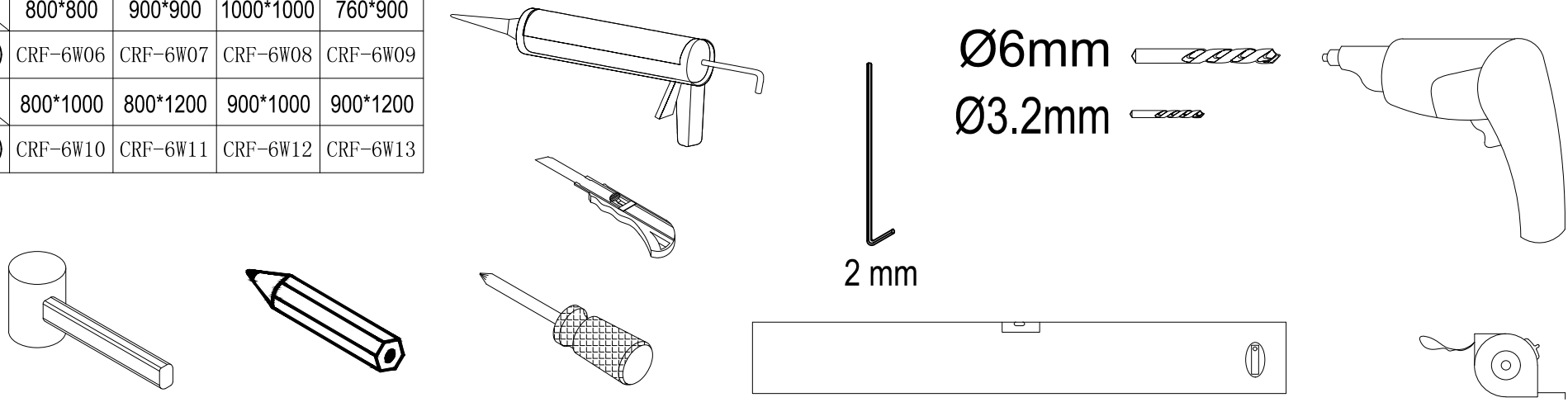


**N-MZQ-6-80, N-MZQ-6-90, N-MZQ-6-10, N-MZOFQ-6-769
N-MZOFQ-6-810, N-MZOFQ-6-910, N-MZOFQ-6-812, N-MZOFQ-6-912**

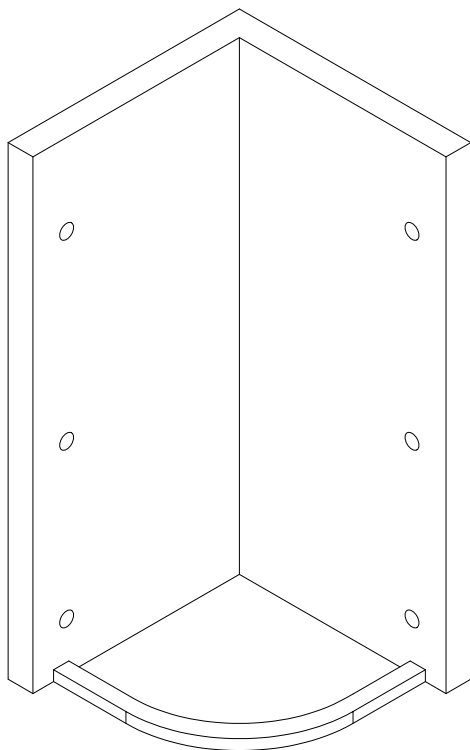




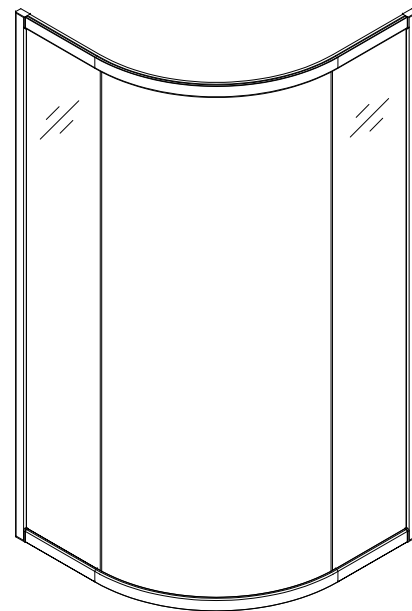
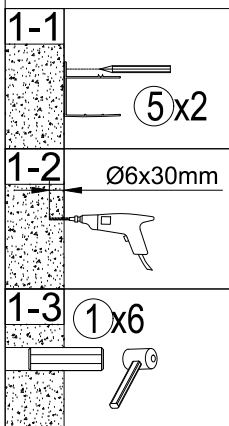
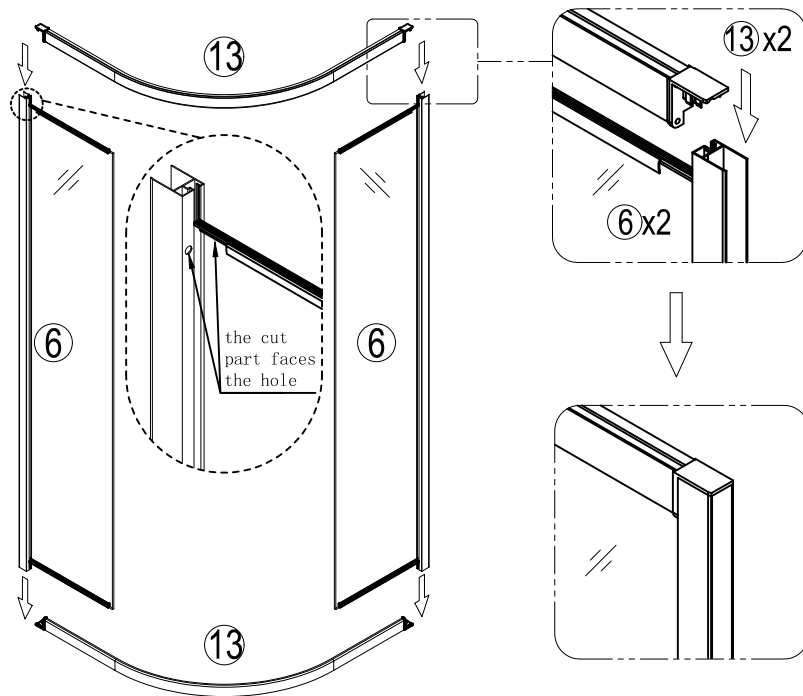
<p>1</p>  <p>D6x30 6Pcs</p>	<p>2</p>  <p>ST4X30 10Pcs</p>	<p>3</p>  <p>CRF-6Y04 12Pcs</p>	<p>4</p>  <p>ST4X12 10Pcs</p>	<p>5</p>  <p>CRF-6W01 2Pcs</p>	<p>6 + 11</p>  <p>2Pcs N-CRF-6Z08-15 4Pcs</p>																					
<p>7 1810mm</p>  <p>CRF-6Z02 2Pcs</p>	<p>8 1872mm</p>  <p>CRF-6Z02 2Pcs</p>	<p>9</p>  <p>2Pcs</p>	<p>10</p>  <p>CRF-6X01 2Pcs</p>	<p>12</p>  <p>CRF-6X02 4Pcs</p>	<p>13</p>  <p>CRF-6W06-13 2Pcs</p>	<p>14</p>  <p>CRF-6X03 4Pcs</p>																				
<p>15</p> <p>A+B</p>  <p>CRF-6Z01 1Pair</p>	<p>16</p>  <p>CRF-6Y02 4Pcs</p>	<p>17</p>  <p>CRF-6Y05 8Pcs</p>	<p>18</p> <p>Optional parts</p>  <p>CRF-6Y01 6Pcs</p>	<p>19</p> <p>Optional parts</p>  <p>CRF-6C1 2Pcs</p>	<table border="1"> <tr> <td></td> <td>800*800</td> <td>900*900</td> <td>1000*1000</td> <td>760*900</td> </tr> <tr> <td>11</td> <td>N-CRF-6Z08</td> <td>N-CRF-6Z09</td> <td>N-CRF-6Z10</td> <td>N-CRF-6Z11</td> </tr> <tr> <td></td> <td>800*1000</td> <td>800*1200</td> <td>900*1000</td> <td>900*1200</td> </tr> <tr> <td>11</td> <td>N-CRF-6Z12</td> <td>N-CRF-6Z13</td> <td>N-CRF-6Z14</td> <td>N-CRF-6Z15</td> </tr> </table> <p>Tools:</p>			800*800	900*900	1000*1000	760*900	11	N-CRF-6Z08	N-CRF-6Z09	N-CRF-6Z10	N-CRF-6Z11		800*1000	800*1200	900*1000	900*1200	11	N-CRF-6Z12	N-CRF-6Z13	N-CRF-6Z14	N-CRF-6Z15
	800*800	900*900	1000*1000	760*900																						
11	N-CRF-6Z08	N-CRF-6Z09	N-CRF-6Z10	N-CRF-6Z11																						
	800*1000	800*1200	900*1000	900*1200																						
11	N-CRF-6Z12	N-CRF-6Z13	N-CRF-6Z14	N-CRF-6Z15																						
<table border="1"> <tr> <td></td> <td>800*800</td> <td>900*900</td> <td>1000*1000</td> <td>760*900</td> </tr> <tr> <td>13</td> <td>CRF-6W06</td> <td>CRF-6W07</td> <td>CRF-6W08</td> <td>CRF-6W09</td> </tr> <tr> <td></td> <td>800*1000</td> <td>800*1200</td> <td>900*1000</td> <td>900*1200</td> </tr> <tr> <td>13</td> <td>CRF-6W10</td> <td>CRF-6W11</td> <td>CRF-6W12</td> <td>CRF-6W13</td> </tr> </table>  <p>Ø6mm</p> <p>Ø3.2mm</p> <p>2 mm</p>							800*800	900*900	1000*1000	760*900	13	CRF-6W06	CRF-6W07	CRF-6W08	CRF-6W09		800*1000	800*1200	900*1000	900*1200	13	CRF-6W10	CRF-6W11	CRF-6W12	CRF-6W13	
	800*800	900*900	1000*1000	760*900																						
13	CRF-6W06	CRF-6W07	CRF-6W08	CRF-6W09																						
	800*1000	800*1200	900*1000	900*1200																						
13	CRF-6W10	CRF-6W11	CRF-6W12	CRF-6W13																						



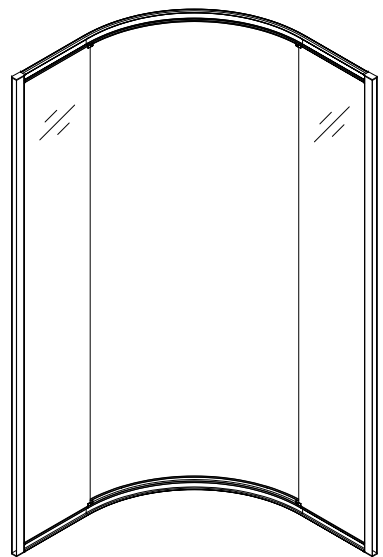
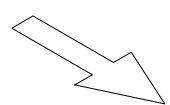
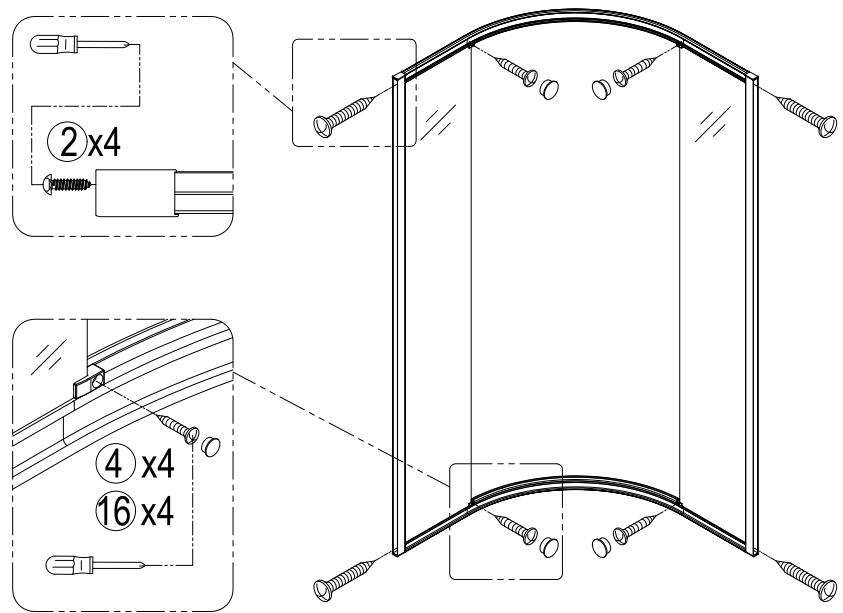
	L	W
800*800	760-780	760-780
900*900	860-880	860-880
1000*1000	960-980	960-980
760*900	720-740	860-880
800*1000	760-780	960-980
800*1200	760-780	1160-1180
900*1000	860-880	960-980
900*1200	860-880	1160-1180



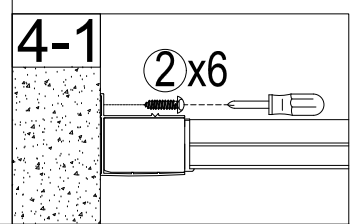
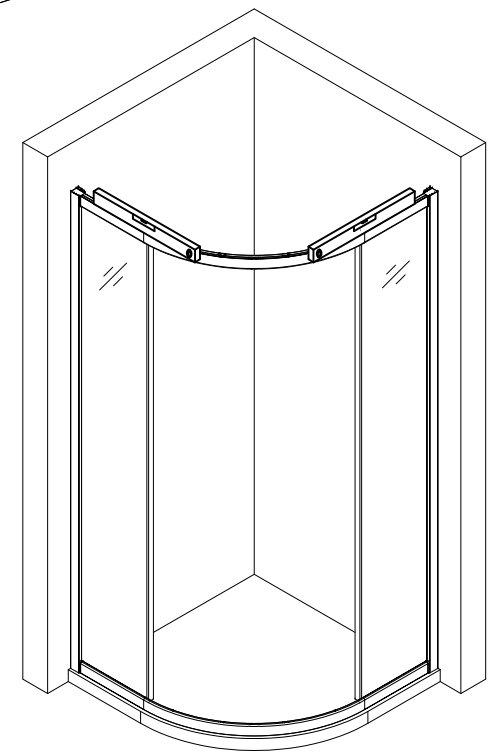
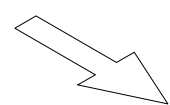
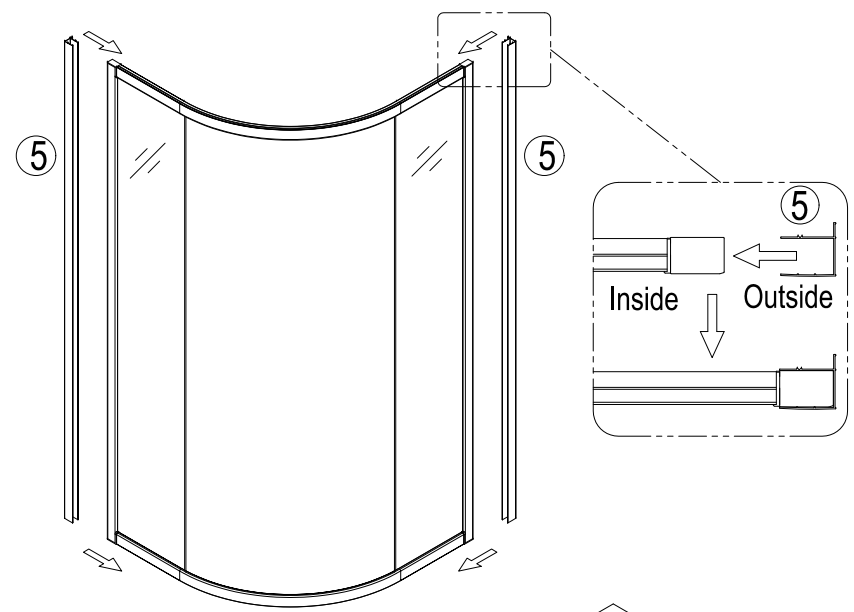
2



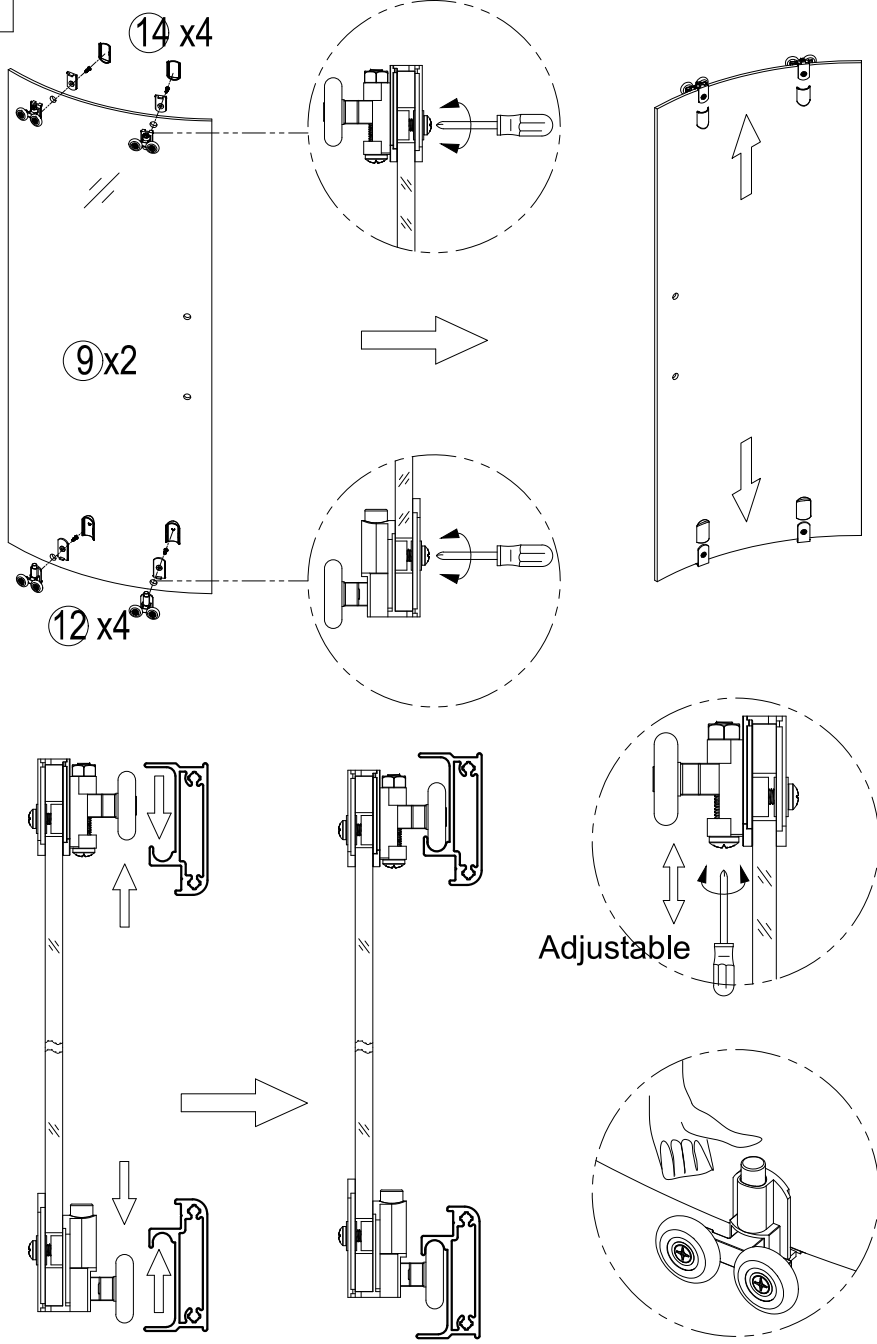
3



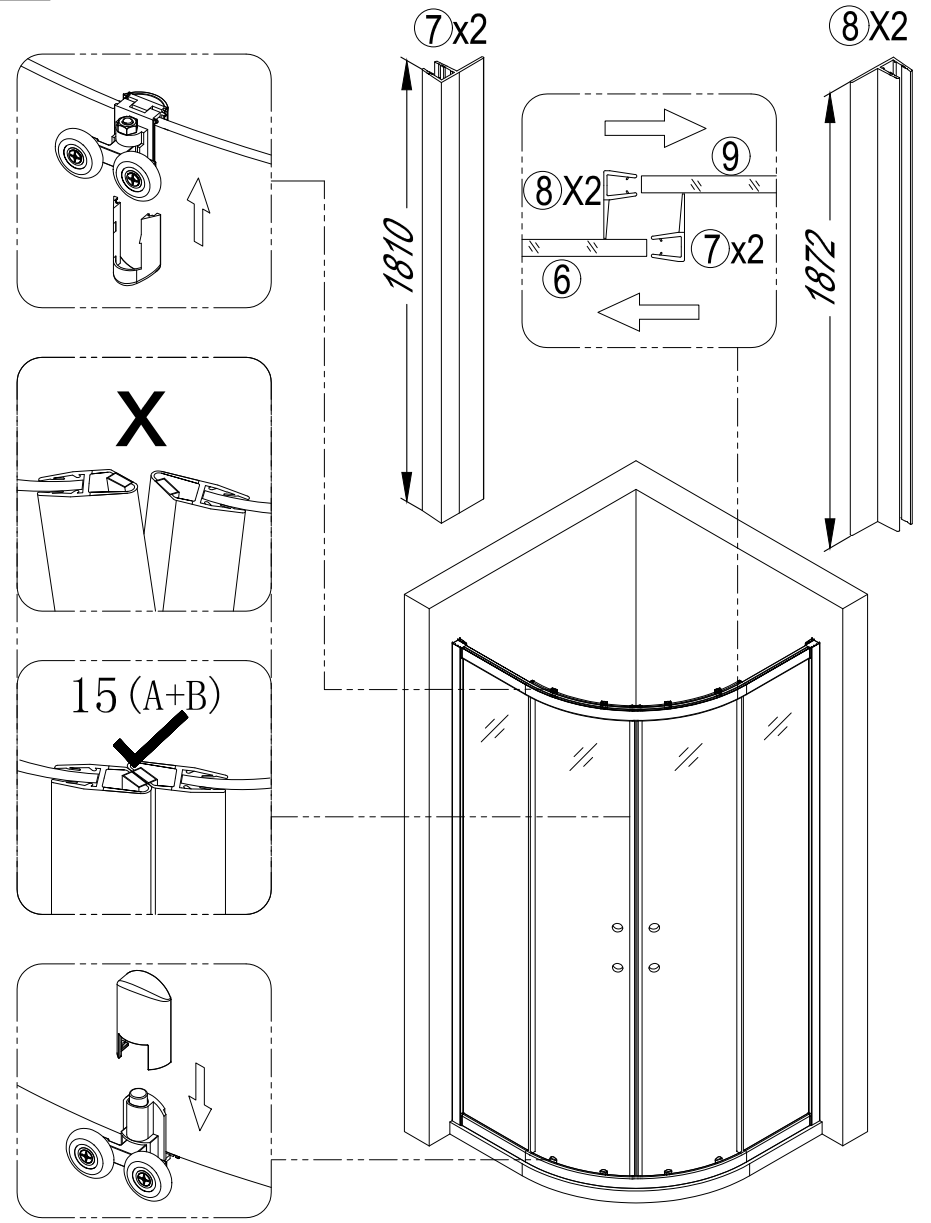
4



5

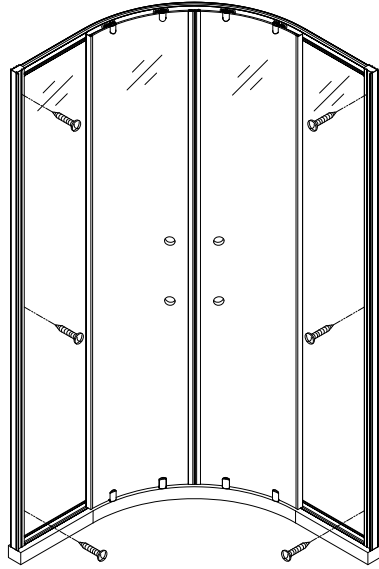


6



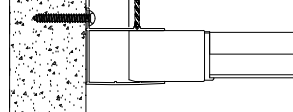
7-a

Without concealed profile



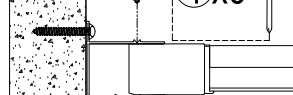
7-1

Ø3.2mm
0-20mm



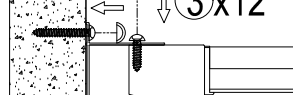
7-2

4x6

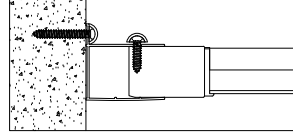


7-3

3x12

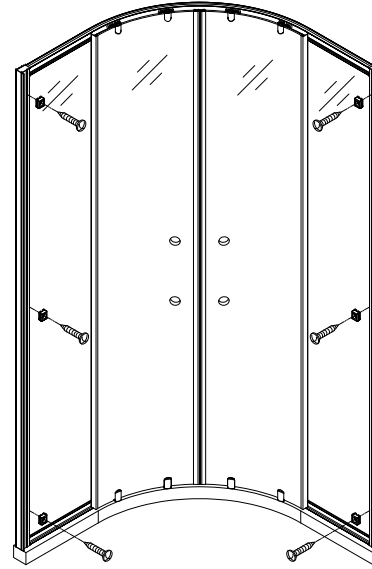


7-4



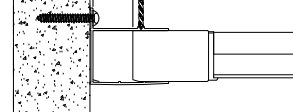
7-b

With concealed profile



7-1

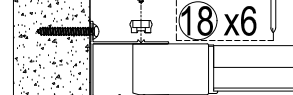
Ø3.2mm
0-20mm



7-2

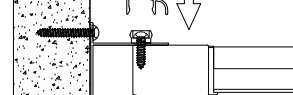
4x6

18x6

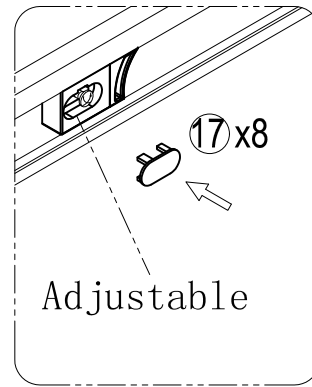
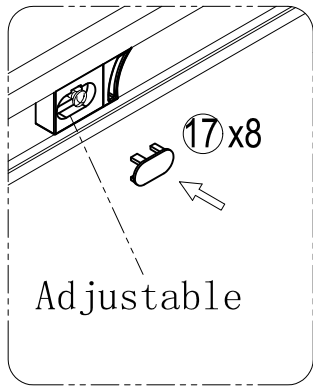
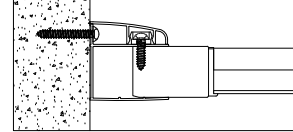


7-3

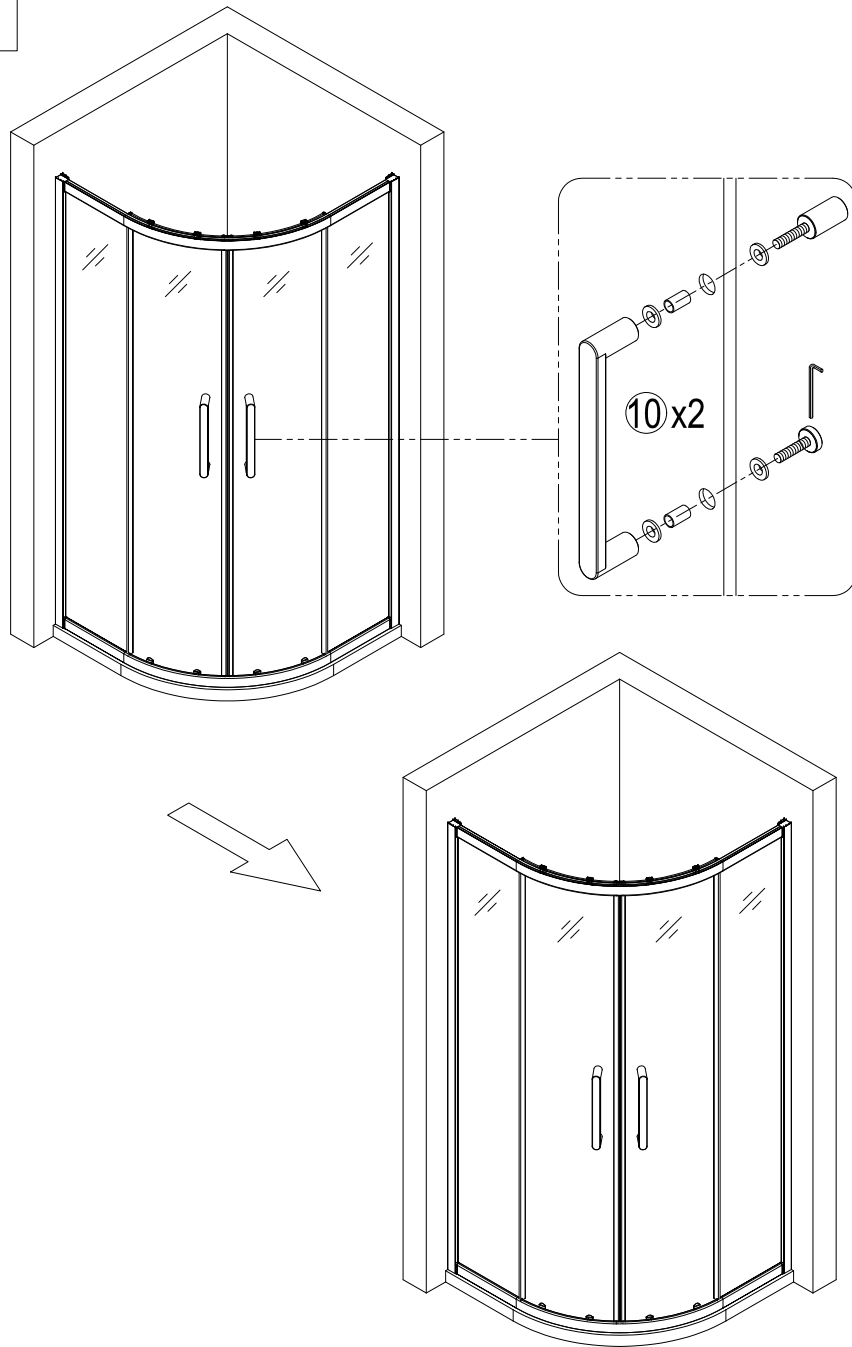
19x2



7-4



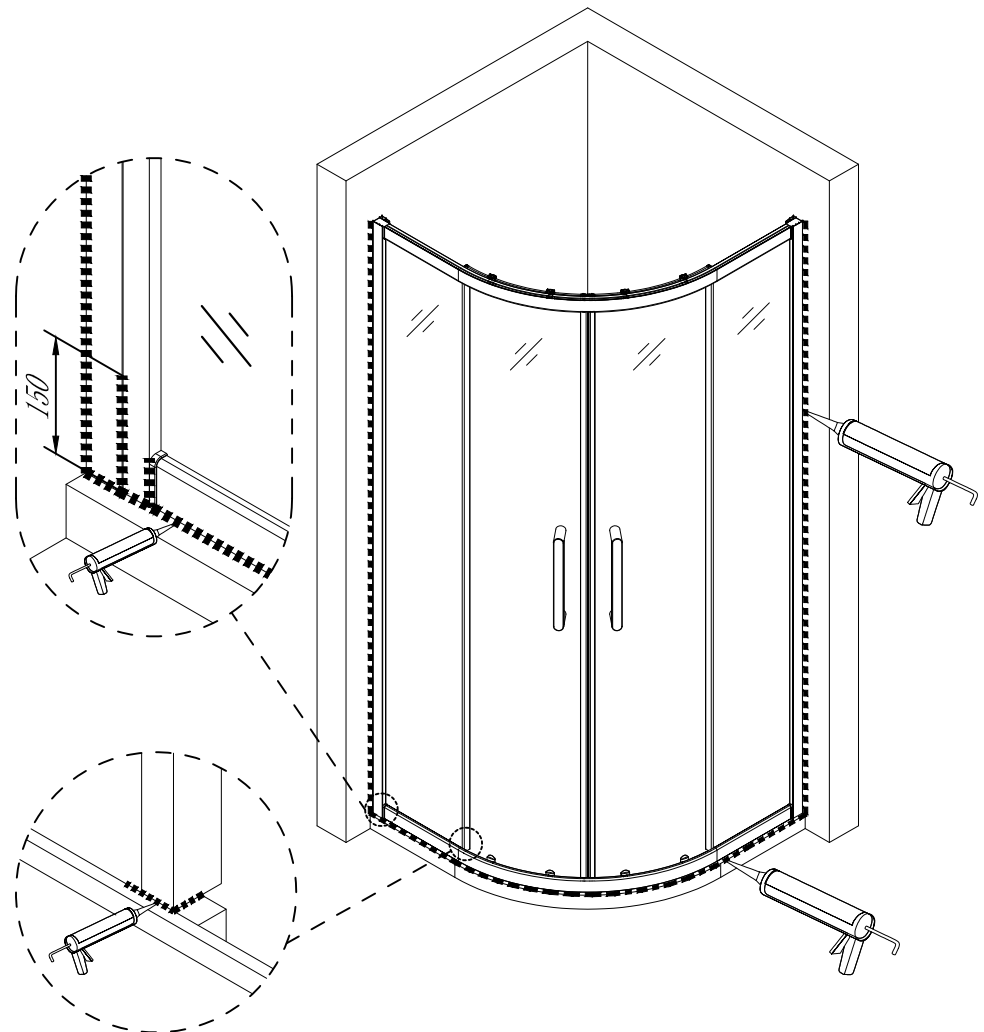
8



9

Care Instructions:

Do not use your shower enclosure within 24 hours of assembly .
 Do not use caustic cleaning products or abrasive material when cleaning your shower enclosure.



Safety Information for User & Installer

Important information for fitter:

- It is recommended that only approved/qualified plumbers should install the product.
- Incorrect installation of the enclosure will invalidate guarantee.

Safety information prior to and during installation

Carefully check the product for transport damage prior to installation.

Never install damaged panels as there is a risk of spontaneous glass breakage. The supplied fixings/wall plugs are only for mounting directly on solid walls.

It is essential that the solid, masonry/walls be inspected for adequate load-bearing capacity prior to every installation. The supplied fixings/wall plugs are not for use with stud walls such as plaster board, wood, metal or fiber board.

Always seek professional advice to confirm wall type and appropriate type of fixing to be used for installation. Always check walls for concealed utility lines (power, gas, and water) prior to drilling the fixing holes.

Special information on handling glass

- Always protect all glass edges from damage.
- Never stand the glass on its corners throughout the installation! Place the packing material beneath the glass panel; never place the glass on tiles, concrete floors or similarly hard surfaces
- It is mandatory to check each glass panel for damage prior to installation. Never install damaged glass panels as this could cause spontaneous glass breakage!
- If the glass panel is damaged during use it must be replaced without delay. (Failure could cause a risk of spontaneous glass breakage!)

Prevent damage to glass or operation of the product.

- Ensure fittings do not hinder the movement of the door.
- Ensure that no objects are within the range of the door opening/ closing area.
- Avoid hitting the panels with hard objects such as mops when cleaning or tools during assembly. Damaged panels must be replaced as failures may cause latent glass breakage.
- Do not hit against the glass edge with hard or pointed objects (e.g. with mop handle) Damaged panels must be replaced; damage may cause spontaneous glass breakage.
- Do not use panels or handles to hang or support items such as drying towels or clothes.

Maintenance Information

Service/repair and inspection for safety.

- After cleaning, check all the moving elements are sufficiently greased, re-grease, if necessary only use acid-free grease.

Cleaning

Do not use steam cleaners, caustic or aggressive cleaning and scouring agents, cleaners that corrode plastics, or solvents containing acetone or turpentine or neat bleach.

- Do not use any cleaning agents, which according to the manufacturer's specifications may corrode aluminium or light alloys.
- Do not use glass cleaning pastes and micro-fibre cloths to prevent damage to glass coating system.
- In order to prevent the build-up of lime scale, remove any remaining drops of water after showering using a squeegee, soft cloth without any cleaning agent.
- After use, carefully rinse off all residue such as; liquid soaps, shampoos, shower gels or similar cosmetic product with water to avoid deposits.

Important: Never apply the cleaning agent for longer than necessary. After cleaning, check all the moving elements are sufficiently greased, re-grease, if necessary.

Recycling and disposal

Please recycle the packaging in accordance with your local government regulations on waste handling, and follow the same advice at the end of the products life.

For more Information

Visit: victorianplumbing.co.uk