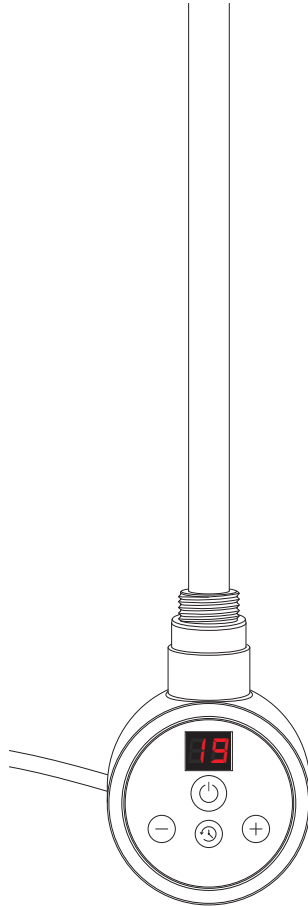




## Electric Heating Element with Control Unit



## Fitting Instructions

Please follow them carefully and  
leave this manual with end user

# Important Information

**Before installation, please read this guide carefully.**

1. **We recommend that this product is installed by a qualified tradesperson.** Victorian Plumbing Ltd. accept no liability for products incorrectly installed or any damage to the floor, walls, plumbing, heating element, radiator, or personal injury during installation.
2. Observe all local building codes & regulations.
3. **Ensure the incoming mains power supply is switched off prior to commencing the installation.**
4. **For Dual Fuel Radiators ensure the mains water supply is turned off prior to commencing the installation.**
5. Unpack the product then read these instructions before proceeding. Inspect the product for damage. If any damage is found, contact our Customer Relations team.

## ! IMPORTANT SAFETY INFORMATION !

1. Never use an element that shows any signs of damage.
2. Always connect the element via a 240V fused spur switch.
3. Ensure when fitted that the correct process is used when filling & commissioning the radiator.
4. **DO NOT** power up the element prior to the radiator being filled & commissioned.
5. **Children under the age of 3** should not be allowed within close proximity of the device without the supervision of an adult.
6. Be aware, all metal surfaces are hot when the element is switched on.
7. **This installation should only be installed by a qualified tradesperson** in accordance with the applicable regulations regarding safety and all other regulations.
8. All installations to which the device is connected should comply with regulations applicable in the country of installation and use.
9. Extensions leads or electric plug adapters should not be used to supply power to the heater.
10. The electric installation to which the heater is connected should have the right current differential and overcurrent relay (R.C.D) of 30 mA.
11. An omni-pole cut-out is required for disconnecting the device on all poles, via joints positioned at least 3mm apart.
12. **The device must not be connected while being installed.** Disconnect the power wire from the electrical circuit. Put the casing on the body of the heating element unit before plugging the device. It is necessary to secure the control panel with the right tool for the device to work as required.
13. Do not open the casing.
14. The device is intended for home use only.
15. **Before installing or removing the element,** make sure it is fully isolated from the mains power supply.
16. Do not open the device. Any interference with the internal components will invalidate the warranty.
17. Regularly check the device for any damage to ensure it is safe to use.
18. The element must be electrically isolated from the mains power supply during any maintenance.

## Intended use of device:

Heating elements & control units are heating devices and are intended for installation and use within towel rail radiators.

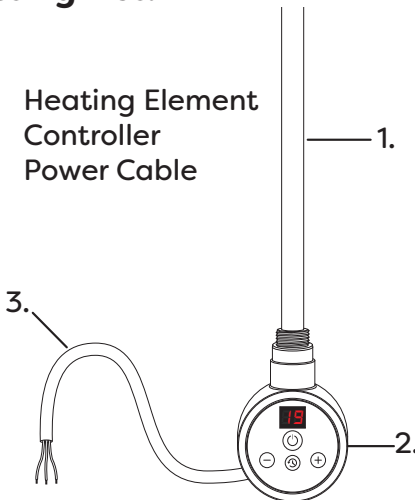
Heating elements are intended for use within a sealed radiator (not to open atmosphere).

## Technical Information:

Electric Supply	230 V / 50 Hz
Heating Output Available	300W & 600W
Device Protection Class	Class I
Towel Rail Connection	G 1/2"
Casing Protection Mark	IP44
Certification	These products are in compliance with 2014/30/EU Electromagnetic Compatibility and 2014/35/EU Low Voltage Directive  These products carry CE mark accordingly.

## Fitting List:

1. Heating Element
2. Controller
3. Power Cable



## Tools required for installation (not supplied):



PTFE Tape



Adjustable Wrench



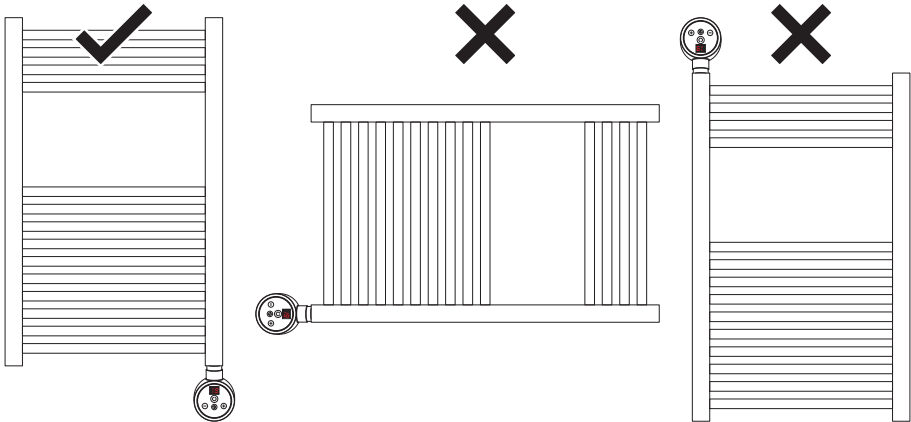
Gloves

**\*Ensure the appropriate PPE is used during installation\***

Diagrams are for illustration purposes only. Your radiator may superficially differ from this drawing however the installation guide steps still apply.

## Electric Towel Rail:

1. The Towel rail is powered by the heating element only. It is not to be connected to the central heating system. Unless you are using a compatible dual fuel radiator.
2. When using a radiator in a dual fuel format, it is recommended that a reputable glycol based inhibitor is added within the heating system. **Ensure the Dual Valve is in the off position while the heating element is in use.**
3. The following liquids should only be used as a heating agent: Water, water with freezing agent, glycol or the right type of oil. Installation and correct use are conditioned by meeting the manufacturer's requirements on the towel rail and heating element.
4. Filling the towel rail with too much liquid leads to exceeding of acceptable pressure and damaging of the towel rail and/or heating element.
5. Heating element should not be fitted horizontally or turned downwards.
6. The towel rail is to be installed so that switches and other controls cannot be touched by a person in the bath or shower.



**WARNING: In order to avoid a hazard for very young children, this appliance should be installed so that the lowest heated towel rail is at least 600mm above the floor.**

### Before you begin:

1. **The device must not be connected to the mains power supply during installation.** Unplug the device prior to installation.
2. Please take every precaution when filling the towel rail to avoid being burnt by the hot liquid.
3. Do not switch the heating element on if it is not fully immersed in the towel rail.

### Important:

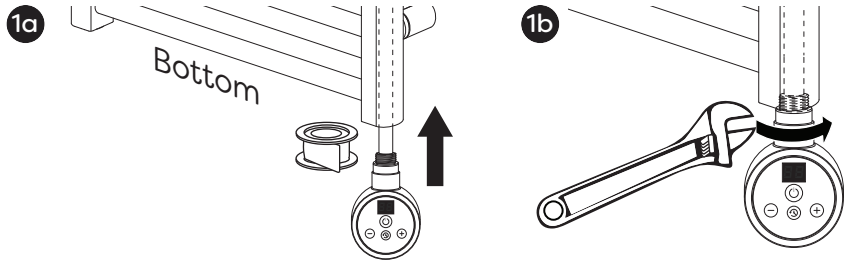
1. Do not install the heating element by turning the enclosure itself.
2. Tightening of the unit should be made with an adjustable wrench.
3. Make sure that there are no water leakages dropped into the heating element's control units.
4. Remove the protective coating on the plastic enclosure before use.

## Element Installation:

### Step 1:

Wrap PTFE tape around the thread of the element. Insert the heating element with controller unit into the threaded opening at the bottom end of the radiator. Twist the head of the heating element with an adjustable wrench.

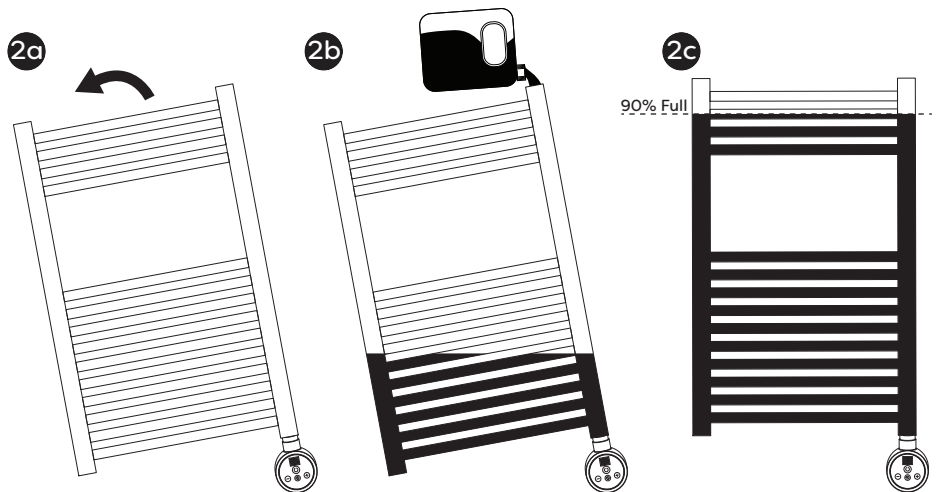
Ensure the element is positioned in such a way so that the indent in the head connection is directed either towards you or sideways.



### Step 2:

Put the towel rail in a angled position making sure that the upper collector opening is at the highest point. (**Note:** The towel rail must not be resting on the heating element controller or any parts of the connection at any time.)

Fill the towel rail with the heating agent. Put the towel in a upright position and check the level of the liquid inside it (the radiator should be 90% filled to allow for expansion). Ensure the connection between the towel rail and heating element is tight.



### Step 3:

Proceed to mount the towel rail to your chosen wall, refer to the installation manual of the radiator for guidance if needed.



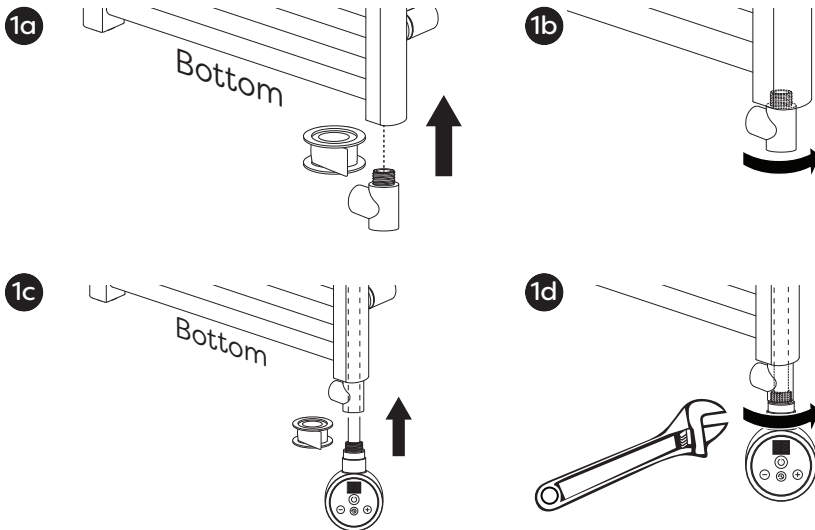
# Dual Fuel Installation:

## Step 1:

Wrap PTFE tape around the thread of the T-Piece (Not Supplied). Insert the T-Piece into the threaded opening at the bottom end of the radiator.

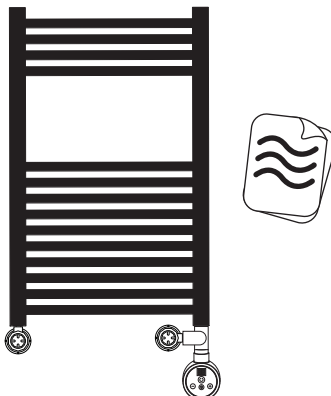
Wrap PTFE tape around the thread of the element. Insert the heating element with controller unit into the threaded opening at the bottom end of the T-Piece and Radiator. Twist the head of the heating element with an adjustable wrench.

Ensure the element is positioned in such a way so that the indent in the head connection is directed either towards you or sideways.



## Step 2:

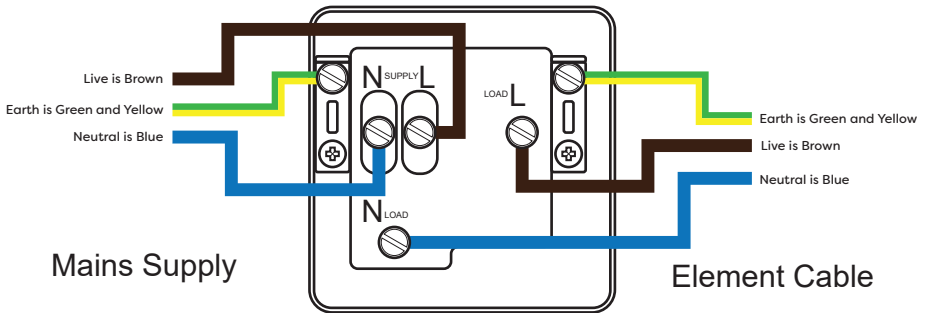
Proceed to mount the towel rail to your chosen wall and connect the flow and return valves to the radiator. Turn on the water supply and allow the heating agent to fill the radiator. Refer to the installation manual of the radiator for guidance if needed.



## Electrical Connection:

**WARNING:** Before you begin, ensure the mains power supply is switched off prior to connection!

Connect the element cable and mains supply to a fused spur switch according to the wiring diagram. Ensure that there are no exposed wires upon completed installation.



Diagrams are for illustration purposes only. Your switch may superficially differ from this drawing. Refer to the instructions of your chosen switch for guidance is needed

## Testing the Element:

1. Connect the device to the electricity and turn on the heating element unit.
2. Set the maximum possible temperature required and observe the rise of the liquid level. The excess liquid may spill out from the upper opening. Safely wipe away any excess fluid to ensure the radiator does not flood.
3. When the level of the heating agent stops rising, wait another 5 minutes, then turn off the heating element.
4. Close the upper opening collector with a vent plug seal. And mount the radiator back onto the wall. The device is ready to use.

## Testing the Element (Dual Fuel Radiator):

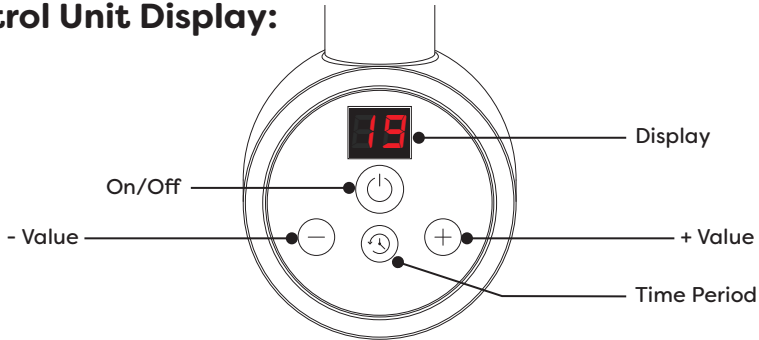
1. Ensure the central heating is switched off prior to testing.
2. Connect the device to the electricity and turn on the heating element unit.
3. Set the maximum possible temperature required.
4. Once the radiator has reached maximum temperature wait another 5 minutes, check all joints and connections for any leaks.
5. Turn the element off. The device is ready to use.





## Product Disposal:

This product should not be disposed as general waste, but should be brought to the appropriate collection point for recycling of electric and electronic devices.

Information on the appropriate point for used devices can be provided by your local authority, product distributor or from where the product was purchased.

## Control Unit Display:



- Button  is used to turn the device on/off. Buttons  and  are used to regulate temperature. The values can be seen on the digital screen.
- Button  is used to set the time period from 1 to 5 hours. When the timer is set, a flashing dot on the display between the two numbers shows that the timer is working.
- **Note:** If you set the temperature of the control unit lower than the room temperature, the unit will not operate. The control unit operates when the temperature is set at least 1 degree higher than the room temperature.

## Fault Codes:

CODE NO.	SYSTEM BEHAVIOUR	ACTION
E01	Heating sensor cable might be disconnected. Heating probe might be damaged. Heating element might be damaged.	Reset the element. If the failure still persists, the product must be stopped.
E02	This failure shows that there is an abnormal sudden heat existing within the product. Electronic control unit might be damaged. Heating element might be damaged. Voltage change at the electric supply system might affect the unit.	Reset the element. If the failure still persists, the product must be stopped.

## Trouble Shooting:

PROBLEM	ACTION
Radiator does not get hot across the whole Radiator.	Check the correct wattage element has been installed and that there has been no fluid loss during installation & commissioning.
Why has the radiator stopped working?	Check the heating element is functioning correctly.
Radiator is Leaking.	Check blank plugs and heating element for water tight seal.