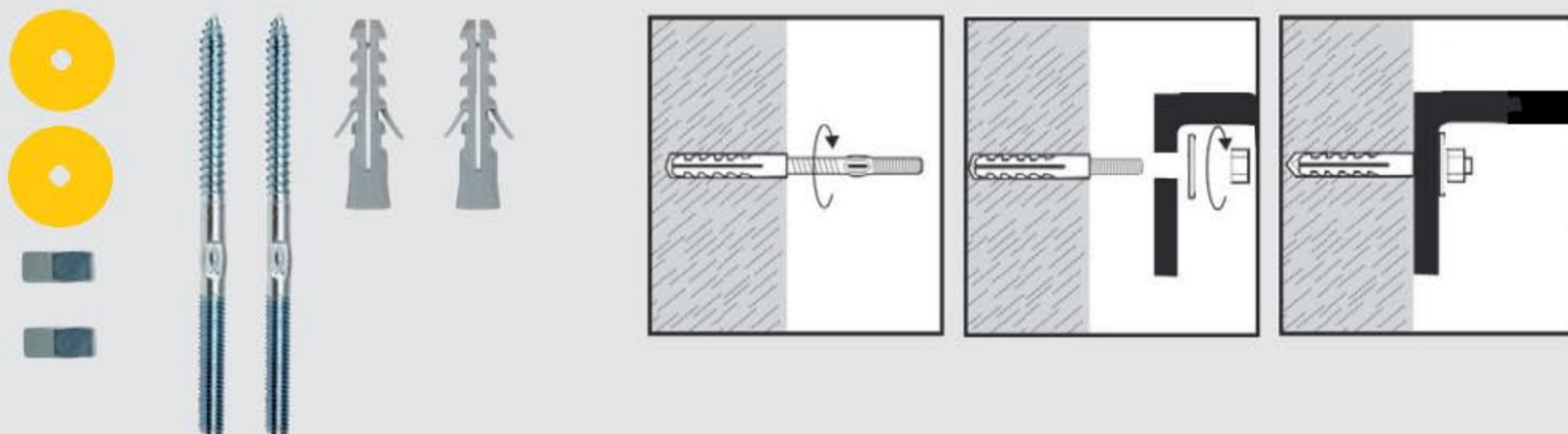
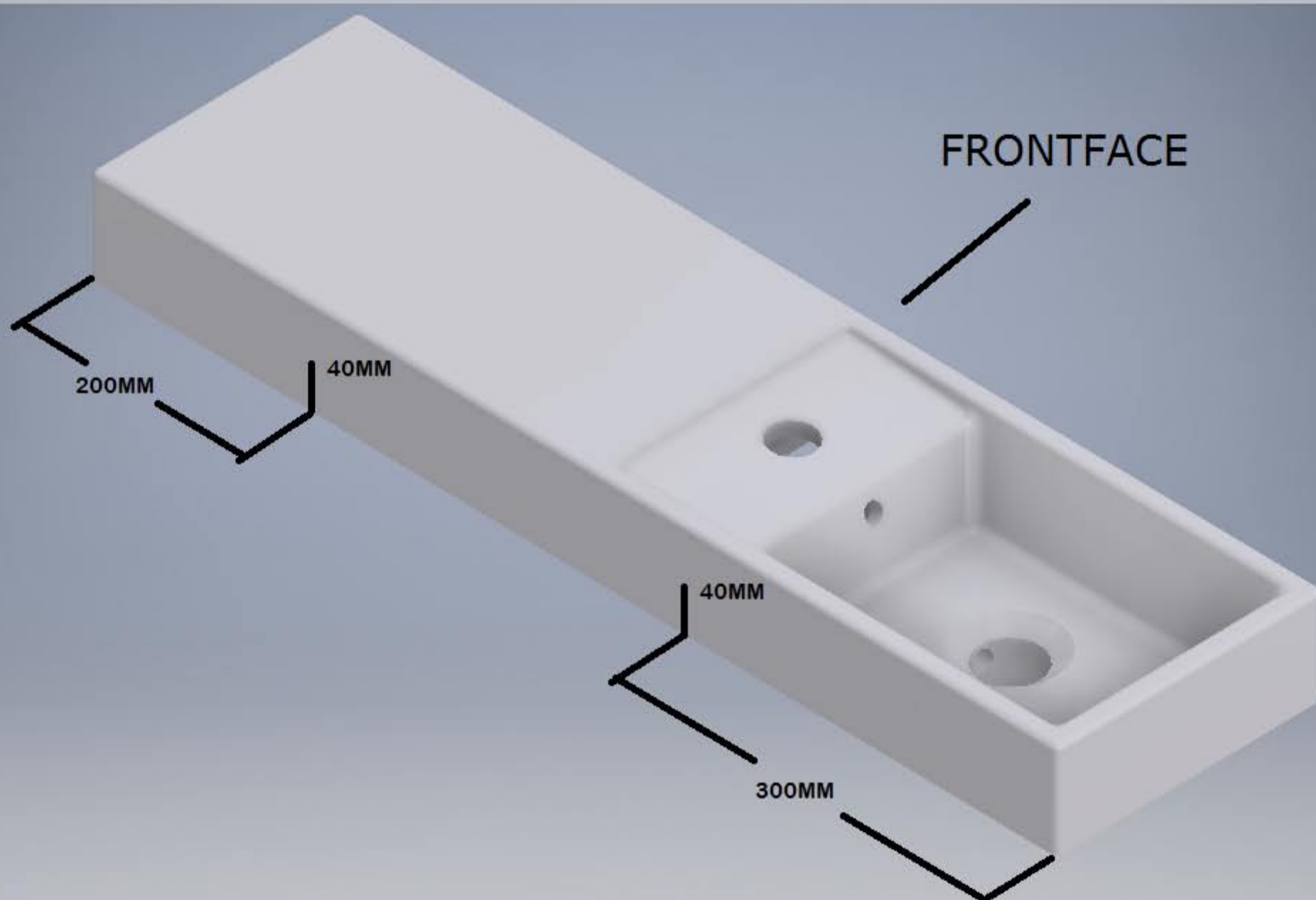
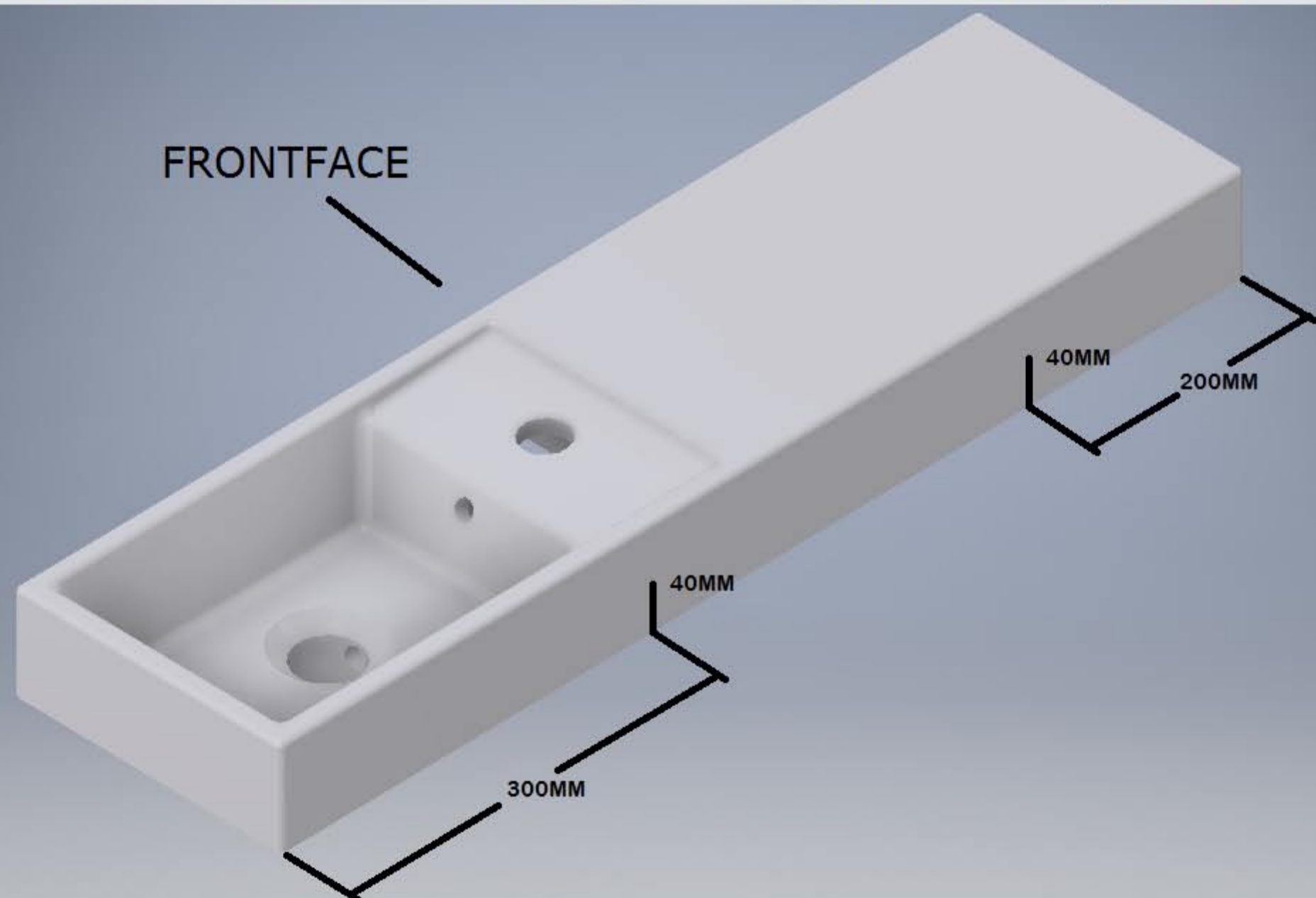


# Wash Basin Fixing Set - FFK10



Use to secure wall mounted basins to solid masonry walls.



On the back face of the basin measure 300mm in from the bowl side and 40mm up from the bottom. On the opposite edge measure 200mm in and 40mm up (as shown in the diagram above)

Once the holes have been marked pilot with a 5mm metal bit then open up to 10mm. Mark the wall for the Basin Fixing Kit (FFK10) and fix as above.