

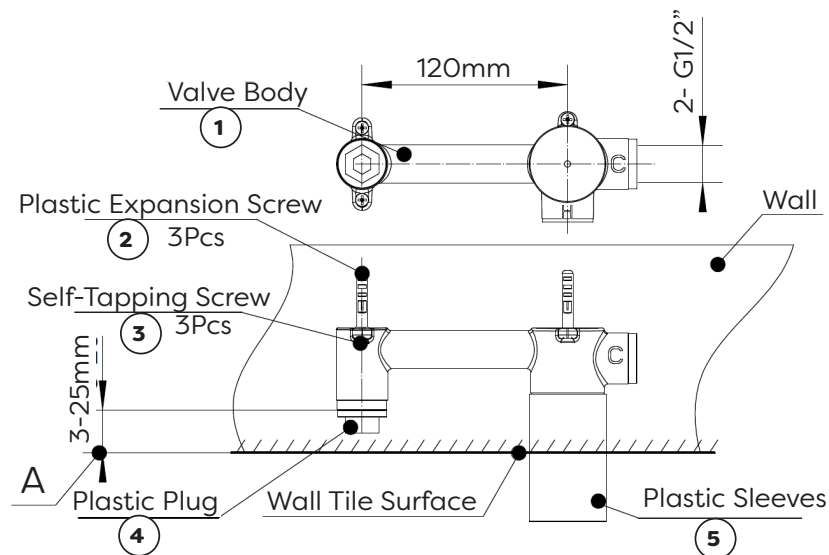
Modern 2TH Wall Mounted Basin Mixer BWM01

INSTALLATION INSTRUCTIONS

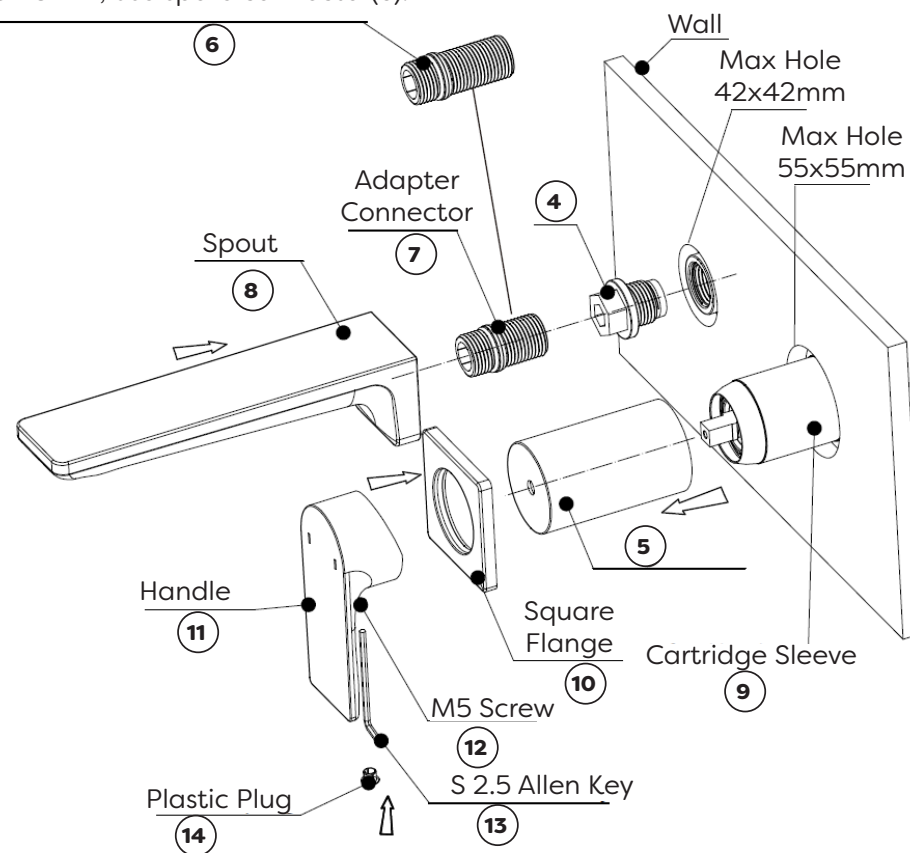
Please follow these care instructions to ensure your product retains it's high quality finish and please retain this leaflet for future reference.

Installation

1. Determine the fixing position for the valve and make a recess in the wall to house the valve
2. Drill holes in the recess, and place three plastic expansion screws (2), then use three SS304 self-tapping screws (3) to fix the valve body (1) into the recess (the allowance for the distance between wall and plastic plug (4) is 3 to 25mm).
3. Connect cold /hot water inlet pipes to the two G1/2" inlets on the valve body (1).
4. Wind PTFE tape round the plastic plug (4). Turn on the cold/hot water supply, take off sleeve (5) and open cartridge to check for any leakages. After checking, put back the sleeve (5) and turn off the water supply.
5. Decorate the wall tile surface
6. Remove the plastic plug (4) and sleeve (5).
7. Use hexagon wrench to screw adapter connector (7) on spout (8) tighten, wind PTFE tape on the other end of adapter connector (7), then screw on valve body (1) (if the distance between wall and plastic plug (4) is over 15mm, use spare connector (6) and replace adapter connector (7)).
8. Place square flange (10) on cartridge sleeve (9)
9. Using S2.5 Allen Key (13) unscrew M5 screw (12), then push handle (11) onto the middle of cartridge sleeve (9). Screw in M5 screw (12) and push plastic plug (14) in (when fitted try to turn handle (11) side to side and open and close).
10. Open cold/hot water supply, open and close handle, check if fix firmly and if any leaking.



Spare Connector: If part A's distance between wall and Adapter connector(4) is over 15mm, use spare connector(6).



WARNING!

We recommend that this product is installed by a qualified tradesperson and we accept no liability for products fitted incorrectly, and where the correct testing procedures have not been used, resulting in the escape of water.