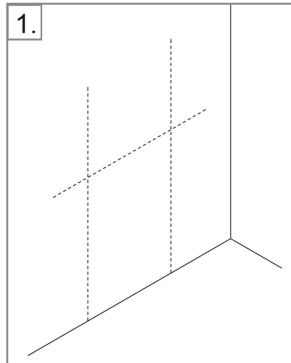


Installation Instruction

Please retain for future reference

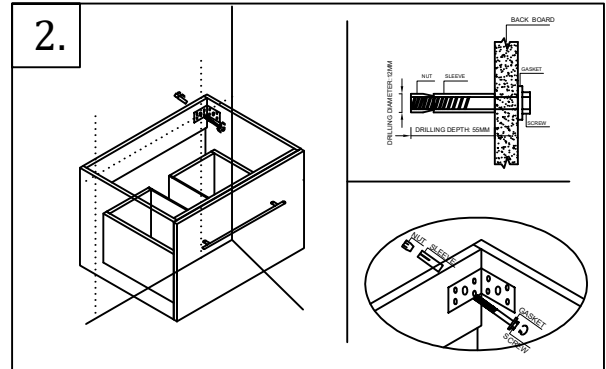
Mounting Process



1.

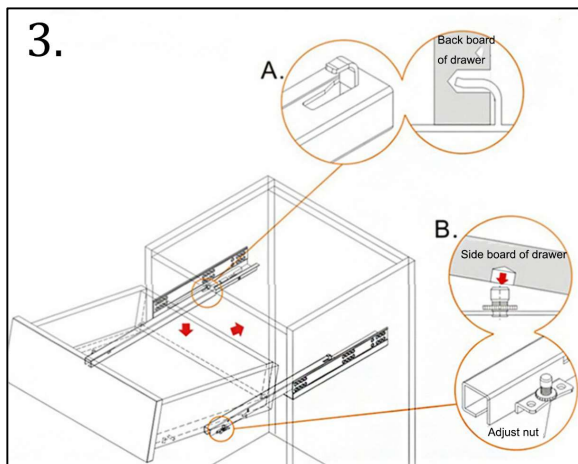
>>>
Set the furniture on the position

<<<
Locate the furniture position in your bathroom



2.

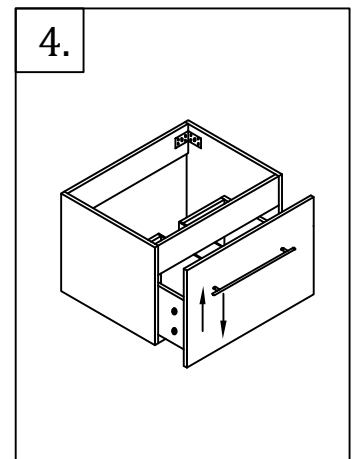
Adjust Drawer System



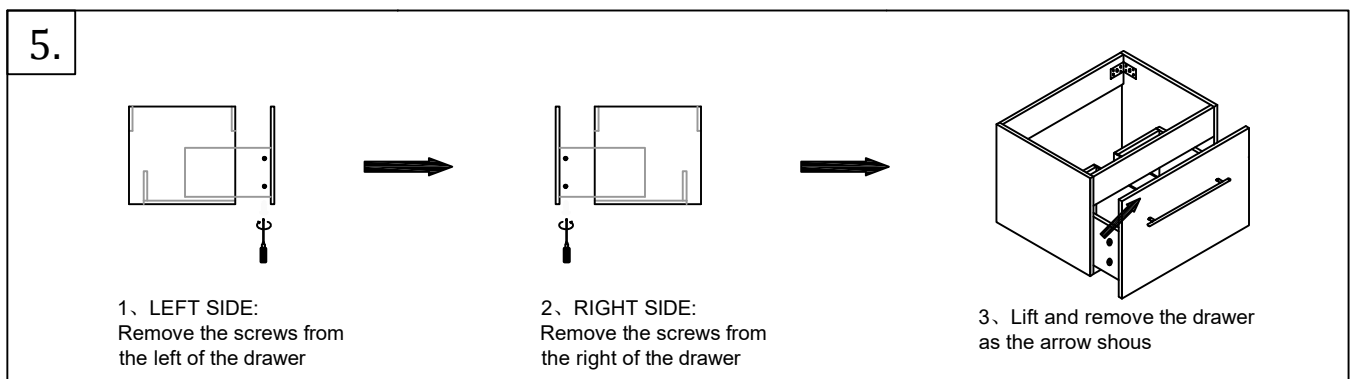
3.

>>>
Adjust nut B: Fine tuning the front panel up/down

<<<
Insert the drawer carcass into the runner (see the red arrows) and make sure the hole at the back of the drawer align with the hook (A) and the nut (B) align with the grub screw at the side of the drawer, so that the drawer could fit the runner well.



4.



5.

1. LEFT SIDE:
Remove the screws from the left of the drawer

2. RIGHT SIDE:
Remove the screws from the right of the drawer

3. Lift and remove the drawer as the arrow shows

We recommend...

Wipe away any water splashes or condensation after use. Excessive exposure to water will deteriorate the furniture.
All bathrooms should be well ventilated with a suitable extractor fan.
Clean with a soft damp cloth only.
Use a wax free polish if one must be used.
For removal of lime scale deposits use a suitable proprietary cleaner. If necessary test on an inconspicuous area first.

Please DO NOT...

Do not scrub or scour.
Do not use abrasive cleaning agents.