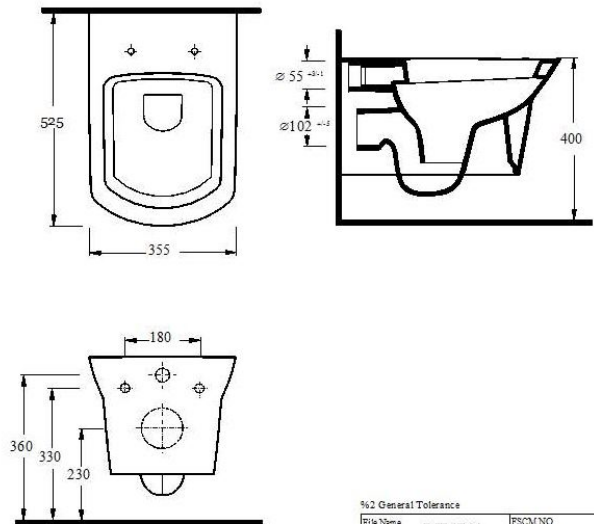


## CUSTOMER DATA SHEET

**SALES CODE:** Clt007

**DESCRIPTION:** Maya W/H Pan & S/C Seat



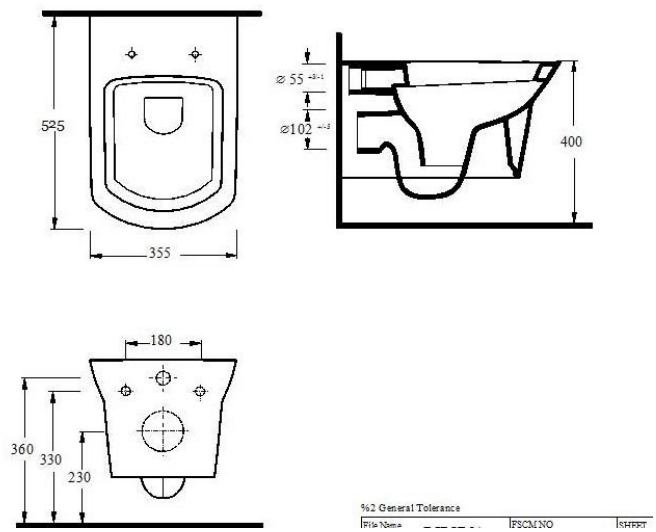
### PACKAGING DETAILS

No of Packs	2
Barcode	5055369063529

## CUSTOMER DATA SHEET - CERAMICS

SALES CODE: NCT300C

DESCRIPTION: W/H Pan



### PRODUCT DIMENSIONS

Height (mm)	Width (mm)	Depth (mm)	Nett Wgt Kg
400	355	525	23.7

### PACKAGING DIMENSIONS

Height (mm)	Width (mm)	Depth (mm)	Gross Wgt Kg
550	370	410	23.7

### PACKAGING DATA

Box Colour	Brown Cardboard Box		
Box Qty	1	Label Colour	White Label
Label Size	100 x 50	Label Qty	2

### OUTER BOX DIMENSIONS (If Applicable)

Height (mm)	Width (mm)	Depth (mm)	Gross Wgt Kg
Barcode		5055369063338	

### PRODUCT DETAILS

Country of Origin	Turkey
Fitting Instruction	No

Certification	CE	Yes	WRAS	N/A	WRAS Number	N/A
Product Material	Vitreous China					

### PANS/BIDETS

Trap Style	P Trap	Includes Seat	No
------------	--------	---------------	----

### CISTERNS

Fittings	Not Applicable	Operating Type	Not Applicable
Lever Type	Not Applicable		

### SEAT

Type	D-Shape	Function	Not Applicable
Material	Not Applicable		
Hinge Type	Top Fix	Hinge Material	Not Applicable

### BASINS

Tap Hole	Not Applicable	Chain Stay Hole	Not Applicable
Template	Not Applicable	Waste Type Req'd	Not Applicable
Overflow Incl.	Not Applicable	Overflow Cover	Not Applicable
Inner Bowl Depth	N/A		

### GENERAL

Fixing Supplied	No
-----------------	----

## CUSTOMER DATA SHEET - TOILET SEATS

<b>SALES CODE:</b> NCT699	<b>DESCRIPTION:</b> Soft Close Seat
---------------------------	-------------------------------------

--	--

PRODUCT DIMENSIONS			
Length (mm)	Width (mm)	Height(mm)	Nett Wgt Kg
440	370	50	2.7

PACKAGING DIMENSIONS			
Length (mm)	Width (mm)	Height (mm)	Gross Wgt Kg
60	475	380	2.7

PACKAGING DATA			
Box Colour	Brown Cardboard Box		
Box Qty	1	Label Colour	White Label
Label Size	100 x 50	Label Qty	

OUTER BOX DIMENSIONS (If Applicable)			
Length (mm)	Width (mm)	Height (mm)	Gross Wgt Kg
317	490	420	15
Barcode	5055369063345		

PRODUCT DETAILS			
Country of Origin	Turkey	CE Certification	N/A
Fitting Instruction	No	Colour/Finish	White
Product Material	Polypropylene	Fixing Method	Quick Release
Seat Type	D Shape	Seat Function	Soft Close
Hinge Centres (Min)	62	Hinge Material	Polypropylene
Hinge Centres (Max)	170		