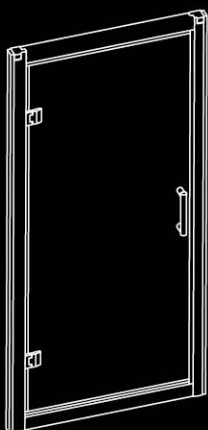


installation manual



Twyford
bathrooms

HINGED
DOOR WITH PANEL

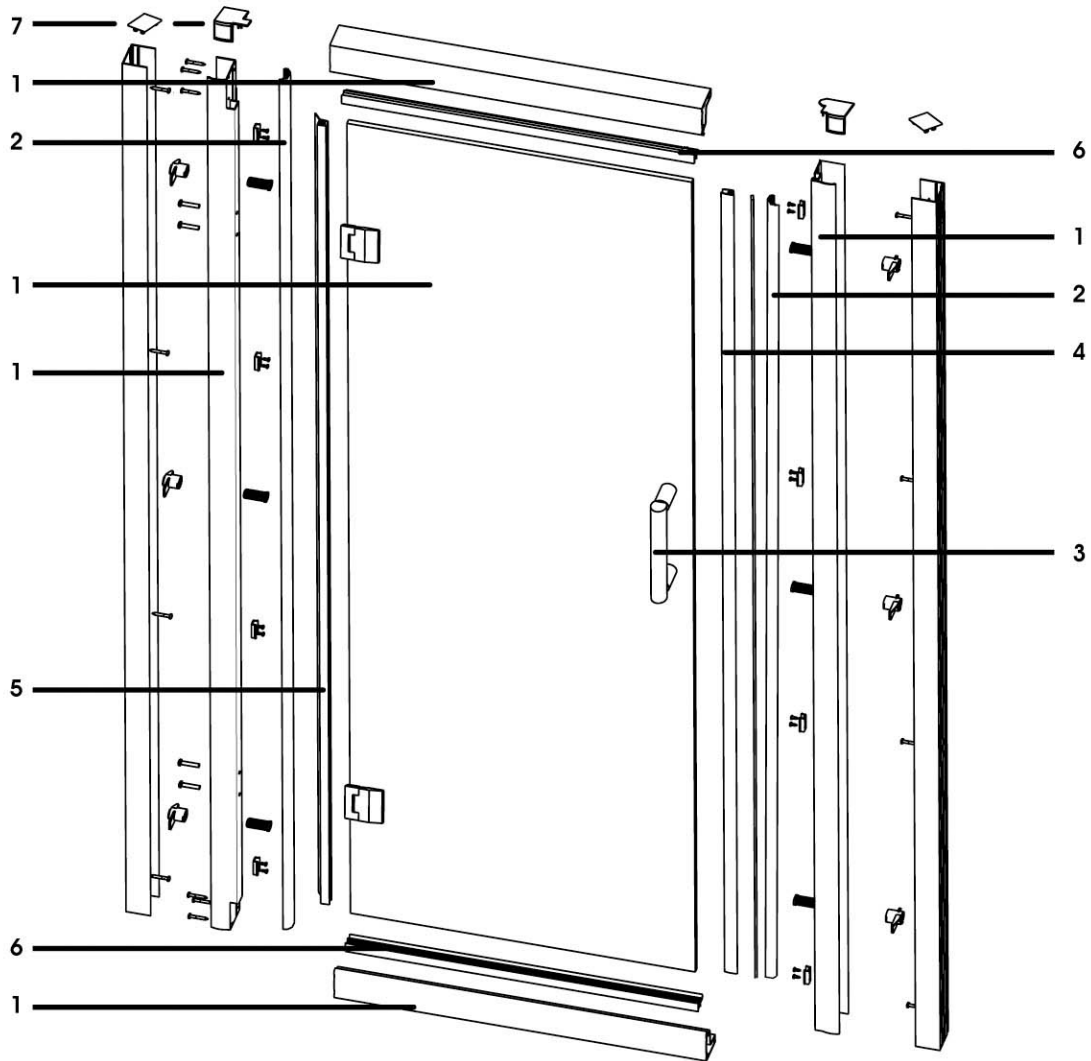
DOOR SIDE

Hydr8



IMPORTANT

Please read carefully the following instructions before installing your shower enclosure to ensure safe and proper use and avoid any injury to either the installer or user. Failure to comply may invalidate your guarantee. For safety we recommend that 2 people should assemble this product.



Hinge Door Components list (pictured)		
Part No:	Description	Qty
1	Door frame and glass door unit	1
2	Fixing cover strip	2
3	Handle	1
4	Glass door magnet seal	1
5	Rear door water deflector	1
6	Door top / bottom water deflector	2
7	2 part cover caps	2

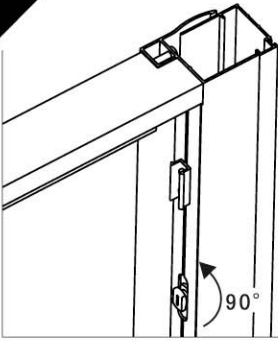
Hinge Door Fixings pack		
Description	Qty	
Pan hd self tapping screw 30mm lng	8	
Plastic wall plugs	8	
Hinge block screw cover caps	4	

Side Panel Components list		
Description	Qty	
Side panel unit	1	
Fixing cover strip	1	
Towle Rail	1	

Side Panel Components not pictured		
Description	Qty	
Pan hd self tapping screw 30mm lng	8	
Plastic wall plugs	8	
2 piece corner cover caps	1	

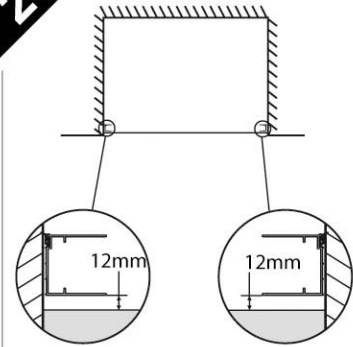
prior to installation:

Before Installing the shower screen, Install the shower tray as per the manufacturers instructions making sure that tray is level in all directions.

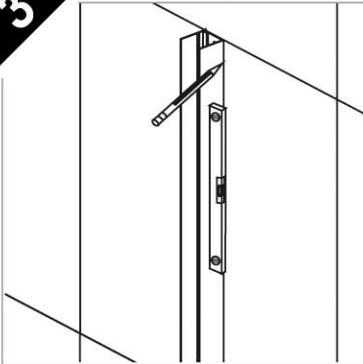
2

For installation in an alcove - start here
For installation in a corner - go to step 16

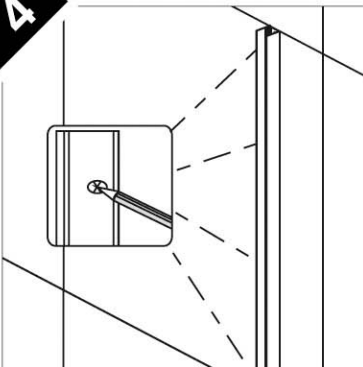
Part the inner and outer wall profiles by rotating the key inline with the slot.



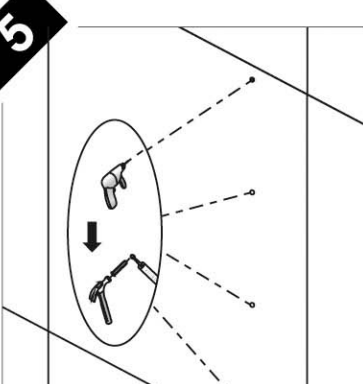
Position the wall profiles approx 12mm in from the edge of the tray or inside of up-stand.



Make sure both wall profiles are upright using a spirit level.



Mark the position on the wall through the pre drilled holes with your pencil. Carefully move the wall profile away from the wall and put somewhere safely to avoid damage when you start drilling.



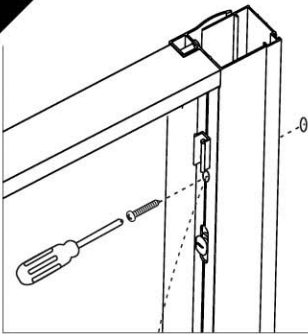
Drill holes where marked using the 6mm masonry drill bit. (You may need a specialized drill bit if you are drilling into tiles, if unsure please get advice). You can now install the wall plugs that have been provided.

installation into an alcove - continue to step 6.
installation with side panel - go to step 20.

5**3****4****2****1**

3

Reinstall the wall profiles onto the frame using the plastic micro-adjusters (reverse of step 1). These adjusters need to be at their minimum width. Lift this complete assembly onto the tray.



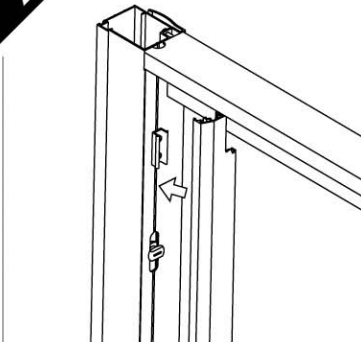
Now adjust the micro-adjusters out, on both wall profiles evenly, to fill the gap between the walls.

Then, with the aid of a magnetic screwdriver or bit, insert the 30mm long screws through the holes in the frame into the wall plugs already installed.

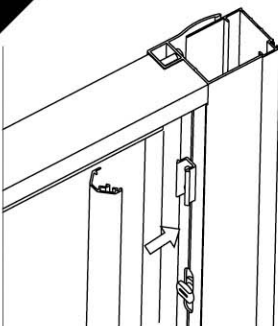
Tighten until secure.



Using the plastic micro-adjusters make sure the screen is level and vertical and that there are no large gaps between the enclosure and the tray.



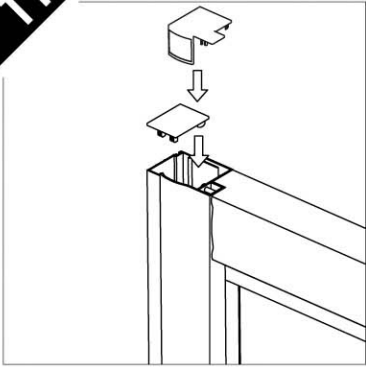
Clip on the alloy fixings cover. This includes the magnetic door closing strip.



Then, clip the opposing alloy fixings cover onto the frame.

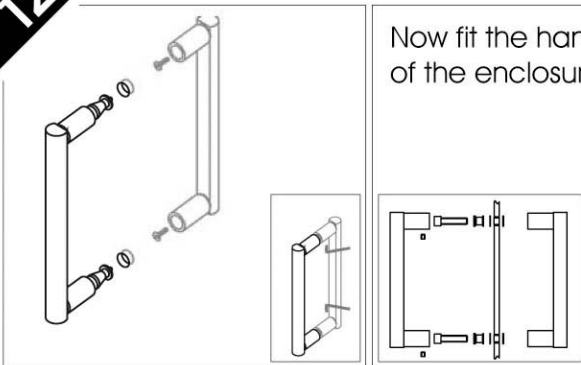
6**7****8****9****10**

11



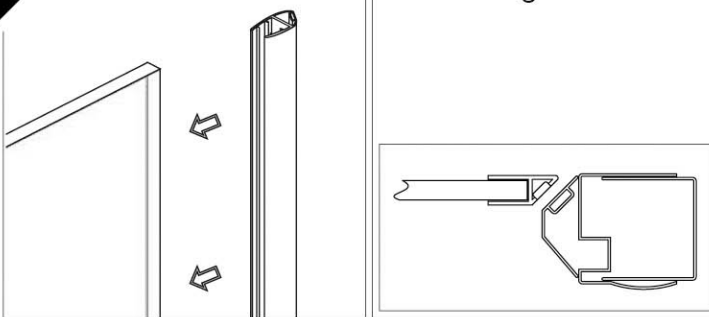
Install the frame profile cover caps, as shown.

12



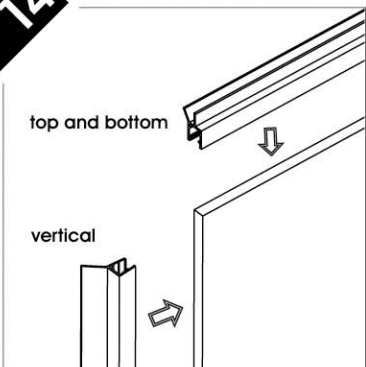
Now fit the handle, as shown, with the grub screw section on the outside of the enclosure.

13



Fit the magnet seal to the leading edge of the door.

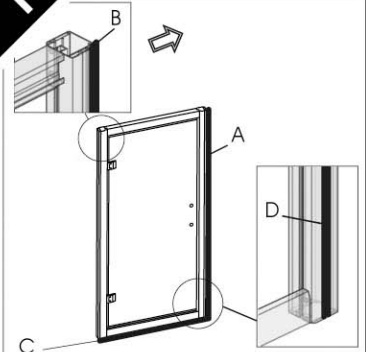
14



Fit the deflector strip to the other vertical edge of the door and then the deflector strips top and bottom. Ensure all deflectors point into the shower enclosure.

For installation in an alcove - continue to step 15
For installation in a corner - go to step 24

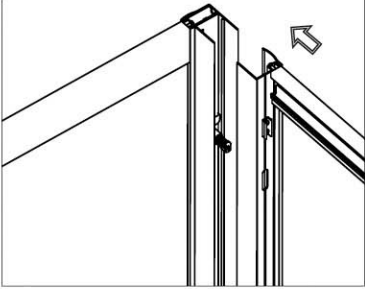
15



Using good quality silicon sealant, seal the enclosure to the wall and tray along the following joints:

- A: Outside vertical enclosure-to-wall joint.
- B: Inside vertical enclosure-to-wall joint.
- C: Outside Perimeter enclosure-to-tray joint.
- D: Wall profile-to-enclosure joint.

16

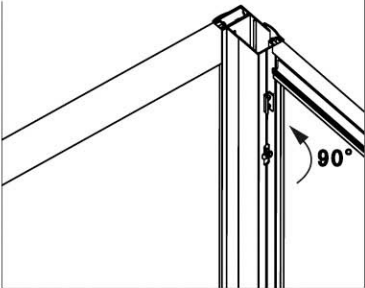


Installation in a corner. With Side Panel

To install the shower screen in a corner, with a side panel, you must first attach the 2 frames together.

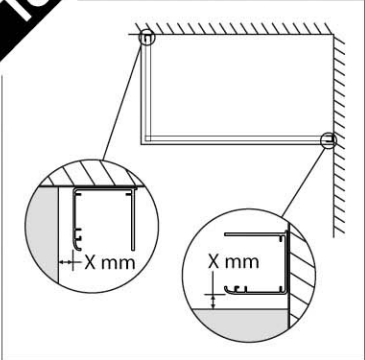
Making sure both the door and side panel are upright, slide the door profile into the side panel profile.

17



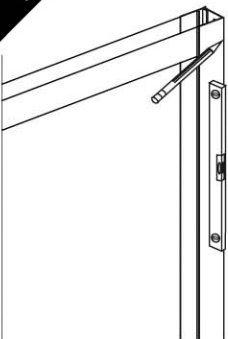
Turn the micro-adjusters 90 degrees to secure. Ensure all of the adjusters are firm and the join is even and straight along its whole length.

18



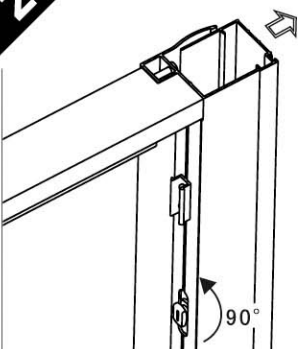
With a minimum of 2 people, lift this assembly onto your tray. Ensure both of the wall profiles are of equal distance from the edge of the tray.

19



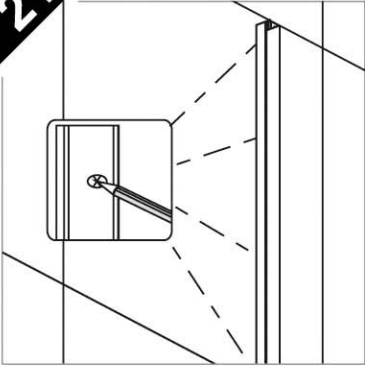
Make sure both wall profiles are upright using a spirit level. Mark the wall along the length of the profiles. Remove the assembly from the tray.

20



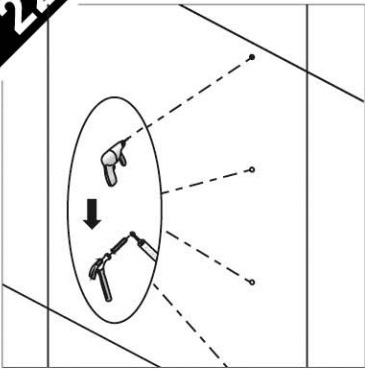
Part the outer wall profiles from their frames, on both sides, by rotating the key inline with the slot.

21



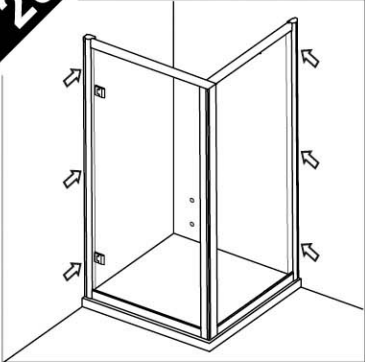
Hold the wall profile onto your pre-marked wall. Mark the hole positions on the wall, through the pre drilled holes, with your pencil. Carefully move the wall profile away from the wall and put somewhere safely to avoid damage when you start drilling.

22



Drill holes where marked using the 6mm masonry drill bit. (You may need a specialized drill bit if you are drilling into tiles, if unsure please get advice). You can now install the wall plugs that have been provided.

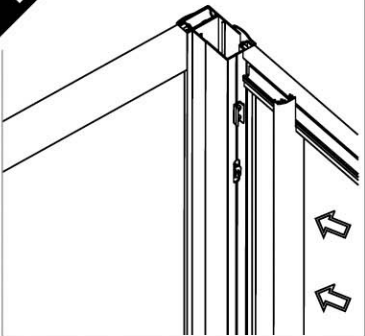
23



Attach the wall profiles back onto the assembly using the micro-adjusters and then lift the whole assembly back onto the tray ready to screw to the wall.

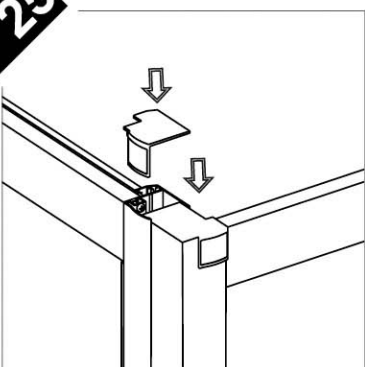
Continue with steps 7 - 14.

24



Fit the corner post fixings cover.

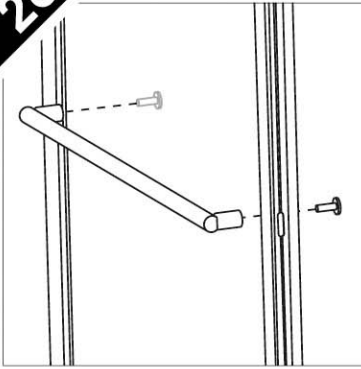
25



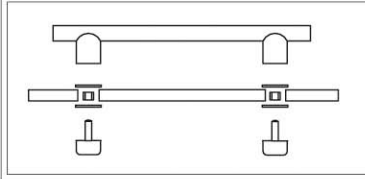
Install the corner post cover caps, as shown.

7

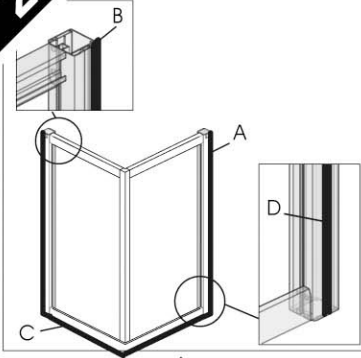
26



Install the towel rail onto the side panel, as shown.



27



Using good quality silicon sealant, seal the enclosure to the wall and tray along the following joints:

- A: Outside vertical enclosure-to-wall joint.
- B: Inside vertical enclosure-to-wall joint.
- C: Outside Perimeter enclosure-to-tray joint.
- D: Wall profile-to-enclosure joint.

Cleaning & Maintenance

Shower enclosures should be cleaned after every use. To prevent limescale from building up, use a squeegee, a soft cloth or chamois leather - but no cleaning agent - to wipe off any water droplets left after showering. Residue left by bodycare products (liquid soap, shampoo, shower gel) can also cause substances to accumulate. Use water to rinse away residues after use. All sliding door track fittings should also be cleaned this way - to ensure that they continue to run smoothly.

- Don't allow limescale to build up - especially in hard water areas
- If you do get a stubborn limescale build up, a mixture of 50:50 vinegar and water will help you to clean it away - but make sure all vinegar is rinsed off completely
- Never use strong detergents or cleaning agents
- Cleaning materials should wherever possible be rated between PH4 and PH8
- In no circumstances should you use any abrasive substances

Twyford bathrooms

Registered office: Lawton Road, Alsager, Stoke-on-Trent, ST7 2DF, UK

T: +44(0) 1270 879777 F: +44(0) 1270 870087

E: shower.team@twyfordbathrooms.com

www.twyfordbathrooms.com

Part of the Sanitec Group