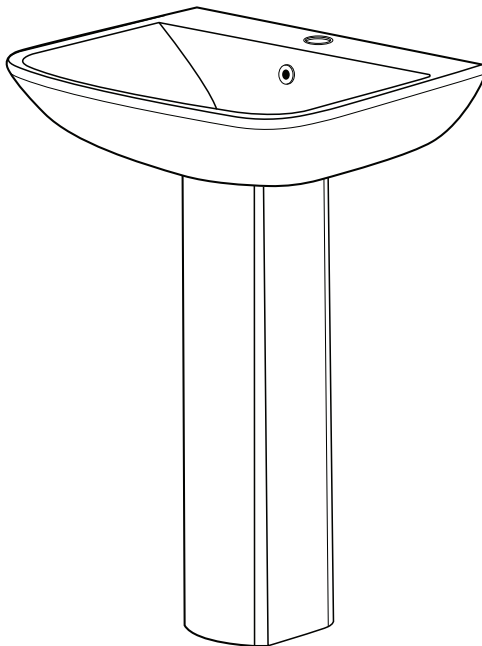




Basin With Pedestal



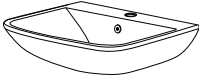

Fitting Instructions

Please follow them carefully and
leave this manual with end user

Before you begin:

1. **We recommend that this product is installed by a qualified tradesperson**, Victorian Plumbing Ltd. accept no liability for products incorrectly installed or any damage to the floor, walls, plumbing, vanity cabinet, sink, counter top, or personal injury during installation.
2. **Check the chosen wall space for any pipes/cables prior to drilling**
3. Observe all local plumbing and building codes & regulations.
4. Ensure the incoming mains water supply is switched off prior to commencing the installation.
5. For the following instructions, it is assumed that the in-wall/floor plumbing has already been prepared.
6. Unpack the product then read these instructions before proceeding. Inspect the product for damage. If any damage is found, contact our Customer Relations team.

Items Included:

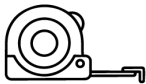
No.	Description	Picture	Qty
A	Basin		1
B	Pedestal		1

Fitting kit is not included: different fixings can be purchased from your local DIY store. Ensure the fixings you choose is suitable for this type of sink.

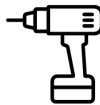
Tools Required (Not Included):



Pencil



Tape Measure



Power Drill



Spirit Level

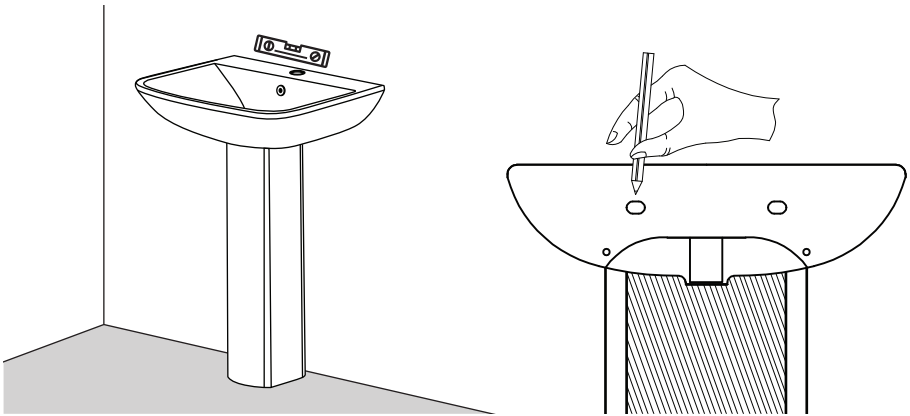


Adjustable
Wrench

Installation

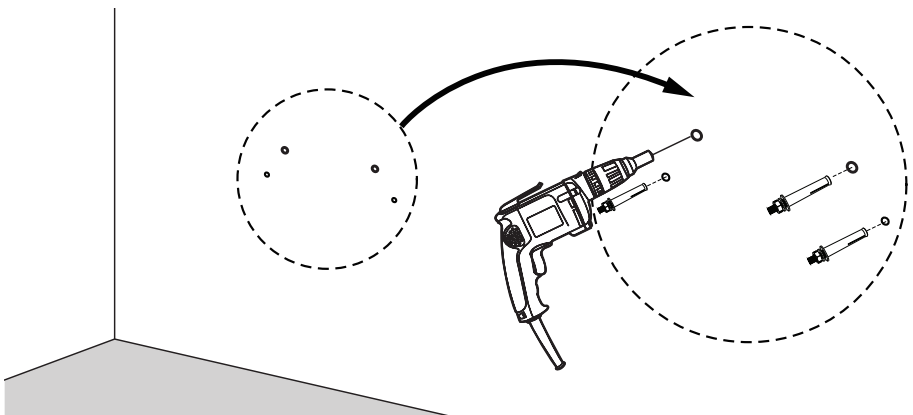
Step 1:

- Fit the taps and waste fittings to the basin in accordance with the instructions provided.
- Place the basin (A) on the pedestal (B) close to the wall and gently manoeuvre into the final position. Check that the basin is level using a spirit level and is flush against the wall.
- From the underside of the basin, mark the position of the fixing holes on the wall. Remove the basin and pedestal to prepare for drilling.



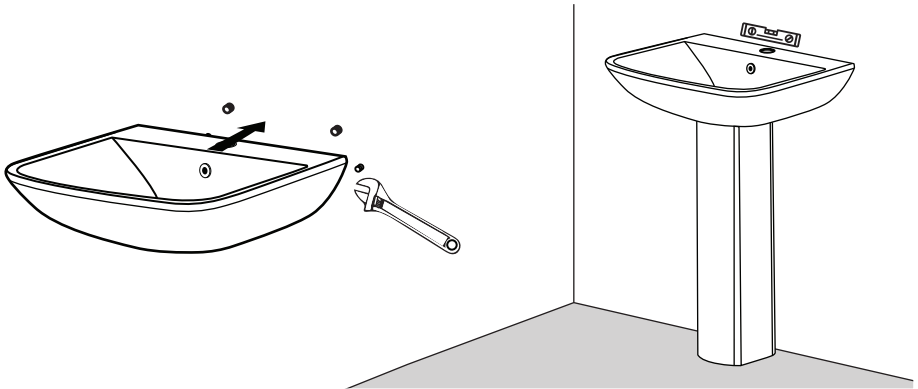
Step 2: Drill Holes and Insert Fixings

- Drill the holes in the wall using an appropriately sized drill bit.
- Locate and insert the appropriate fixing kit into the drilled holes.



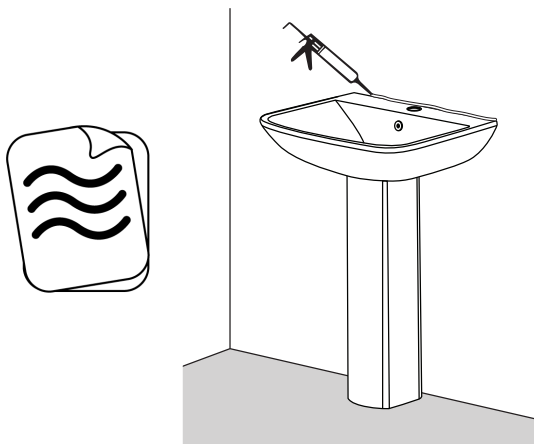
Step 3: Secure Sink

- Place the basin and pedestal back onto position. Secure the basin to the wall using the appropriate fixing kit, making sure that the basin is level and fixed firmly into position.



Step 4: Connect The Pipe Waste

- Proceed to fit the waste pipe and connect to the finished basin. Refer to their respective installation instructions for guidance if needed. When connected turn on the water supply and check all connections for any leaks. Pipe a bead of good quality sealant around the back of the basin and where required.



Maintenance:

We recommend that you regularly clean your sink with a soft cloth and warm soapy water. Rinse and dry after cleaning, this is extremely important for areas with hard water. Refrain from using acidic household cleaners, wipes with harsh chemicals, or abrasives, as these will damage the sink.

www.victorianplumbing.co.uk