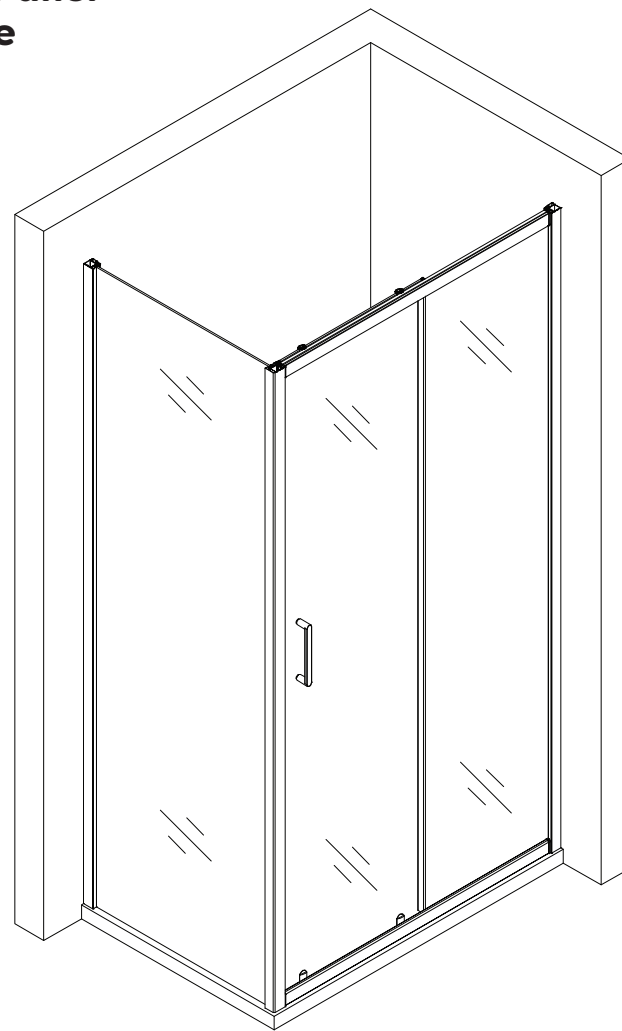
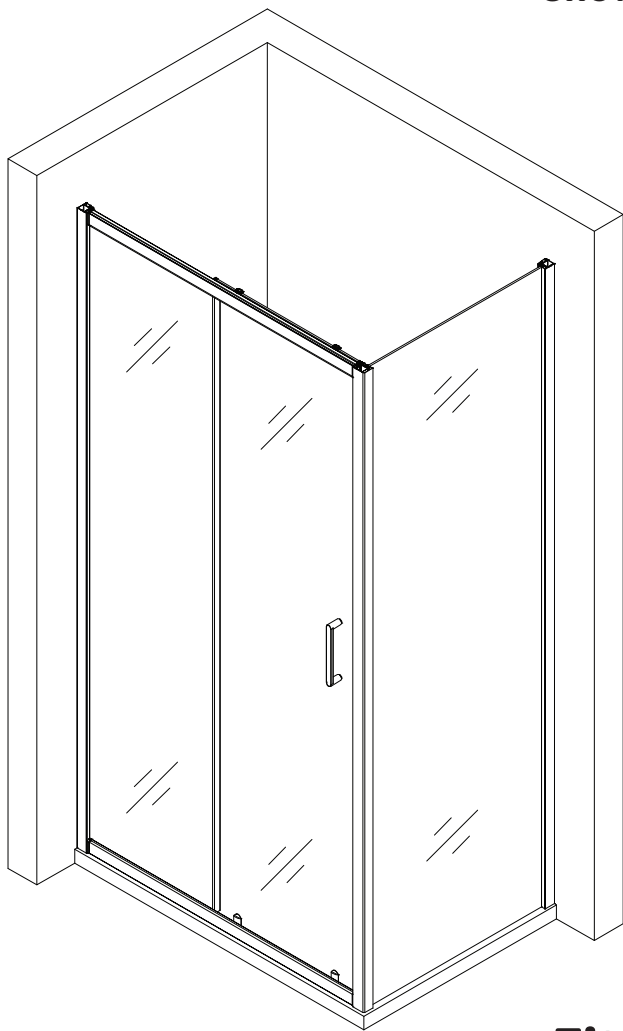


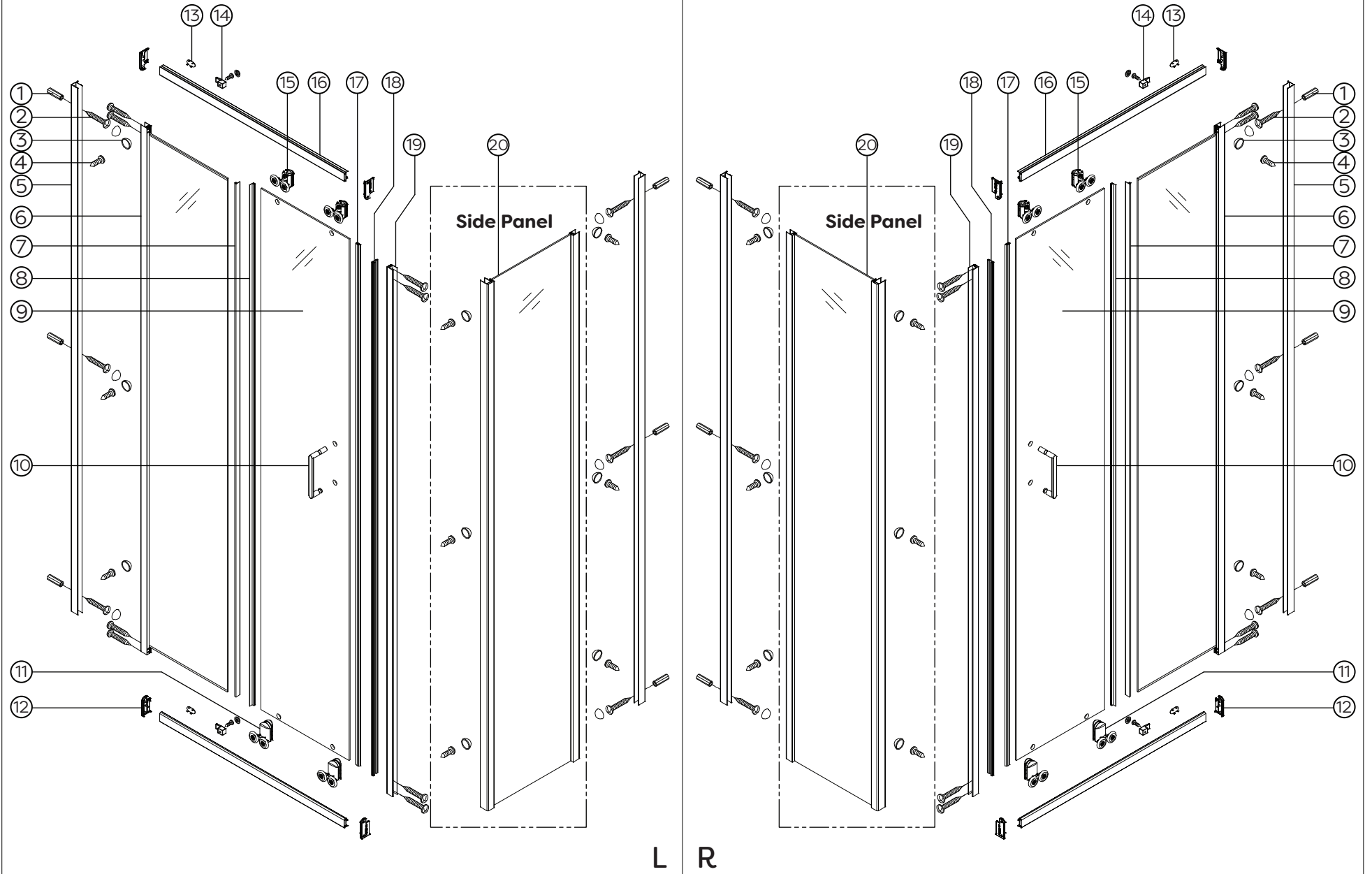
**Shower Door and Side Panel
Left and Right Side**



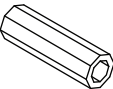
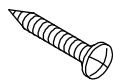


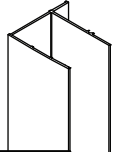
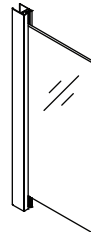
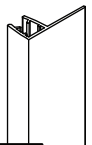
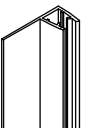
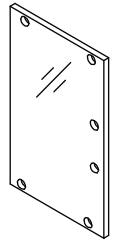
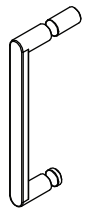
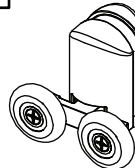
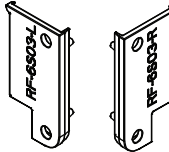
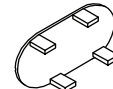
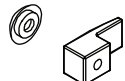
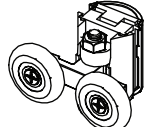
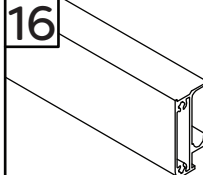
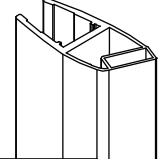
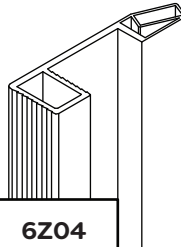
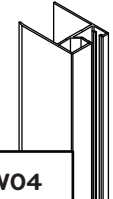
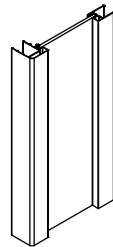
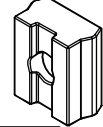
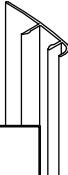

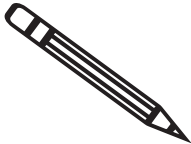
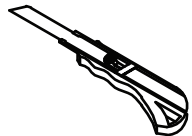





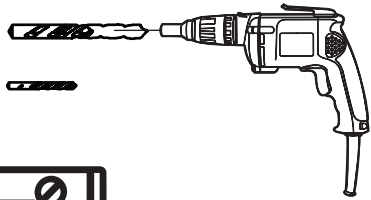
Fitting Instructions

Please follow them carefully and
leave this manual with end user

Fitting list:

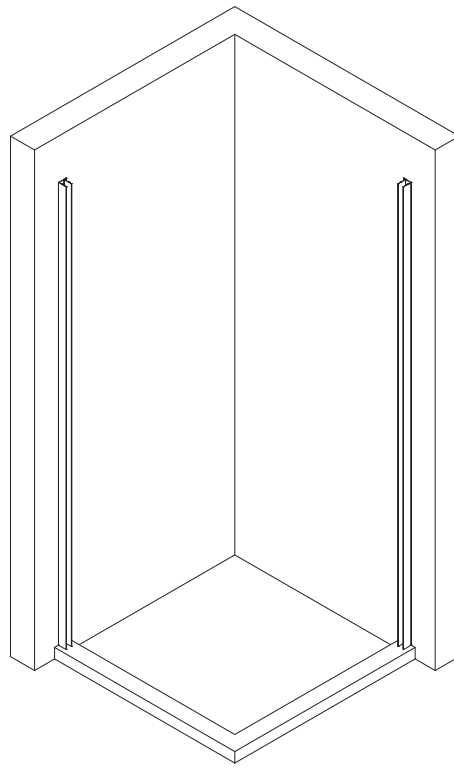
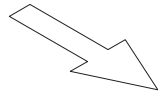
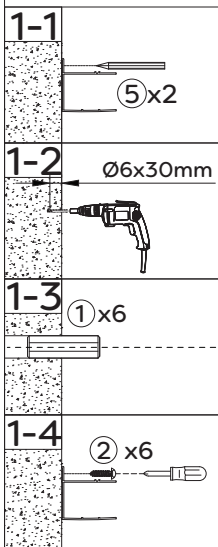
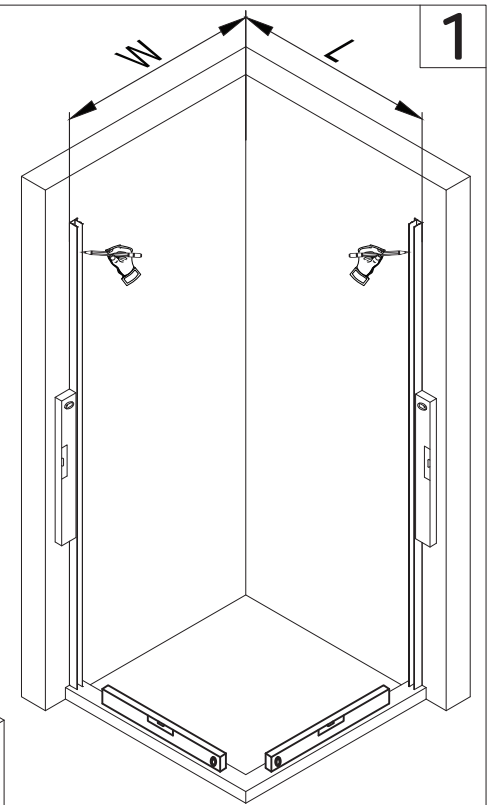


L R

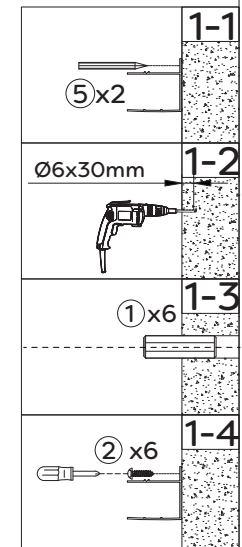
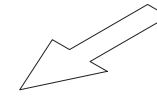
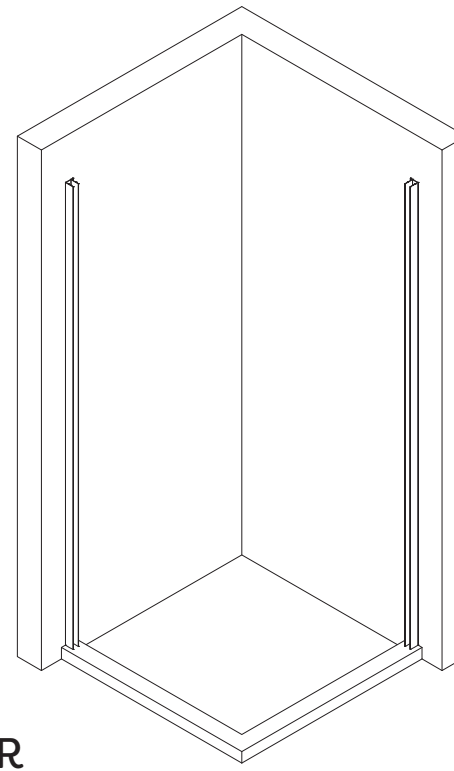
1  D6X30 6Pcs	2  ST4X30 14Pcs	3  6Y04 12Pcs	4  ST4X12 8Pcs	5  6W01 2Pcs	6  6Z02 1Pc	7  6Z02 1Pc	1810mm																
8  6Z02 1Pc	9  6Y05 2Pcs	10  6X01 1Pc	11  6X02 2Pcs	12  6Y03 2Pairs	13  6Y05 2Pcs	14  6Y02 2Pcs																	
15  6X03 2Pcs	16  6W12-21 2Pcs	17 + 18  6Z03 1Pc	 6Z04 1Pair	19  6W04 1Pc	20  6Y01 6Pcs	21 Optional parts 																	
22 Optional parts  6C1 2Pcs	23 Optional parts  6C2 1Pc	<table border="1"> <tr> <td></td> <td>1000</td> <td>1100</td> <td>1200</td> <td>1400</td> </tr> <tr> <td rowspan="2">16</td> <td>CRF-6W18</td> <td>CRF-6W19</td> <td>CRF-6W20</td> <td>CRF-6W21</td> </tr> <tr> <td>JRF-6W12</td> <td>JRF-6W13</td> <td>JRF-6W14</td> <td>JRF-6W15</td> </tr> </table>					1000	1100	1200	1400	16	CRF-6W18	CRF-6W19	CRF-6W20	CRF-6W21	JRF-6W12	JRF-6W13	JRF-6W14	JRF-6W15	<h1>Tools:</h1>			
	1000	1100	1200	1400																			
16	CRF-6W18	CRF-6W19	CRF-6W20	CRF-6W21																			
	JRF-6W12	JRF-6W13	JRF-6W14	JRF-6W15																			
 Pencil		 Saftey Blade		 Screw Driver		 Allen Key (2mm)		 Tape Measure		 Silicone Sealant		 Spirit Level		 Power Drill									

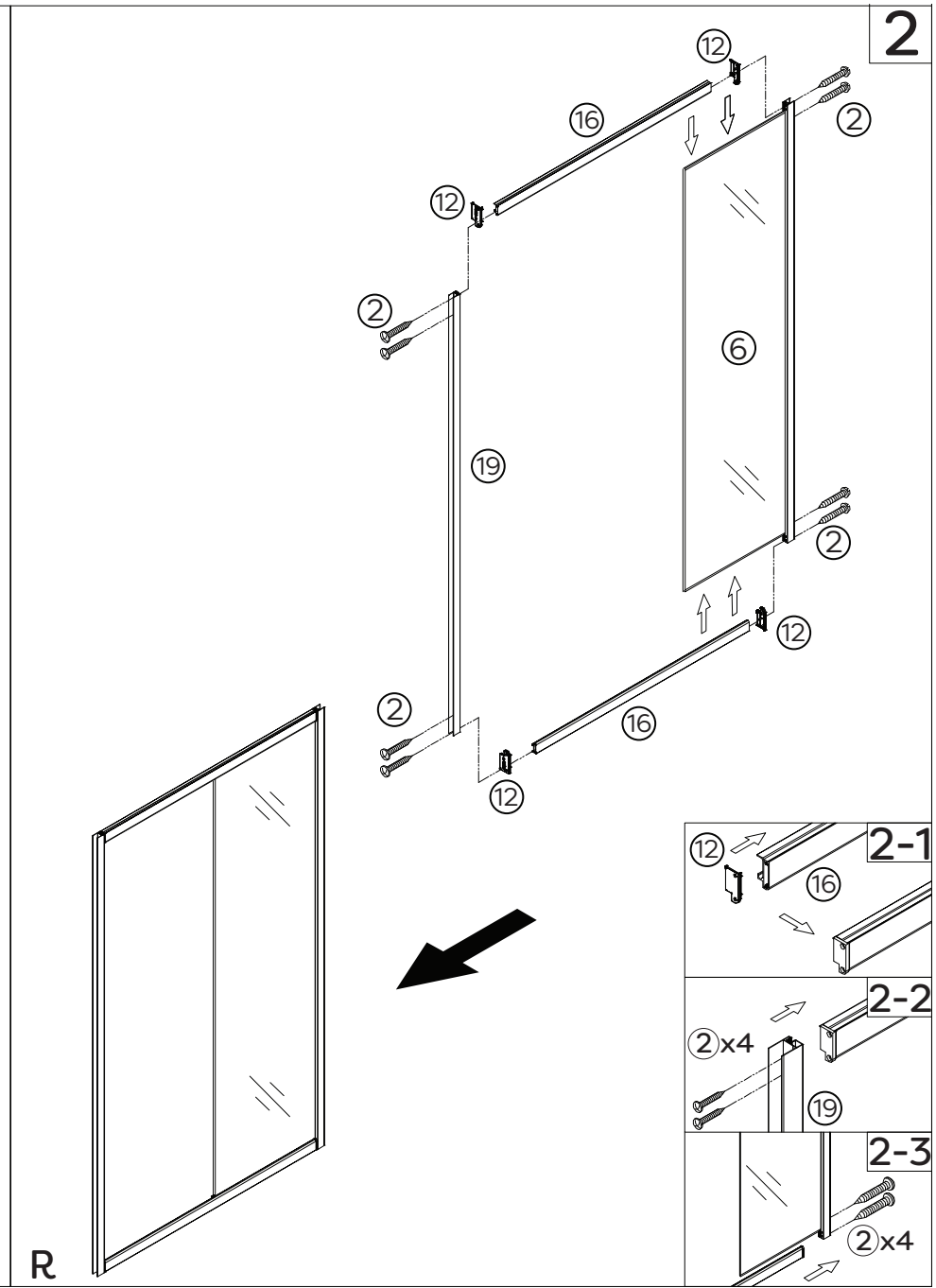
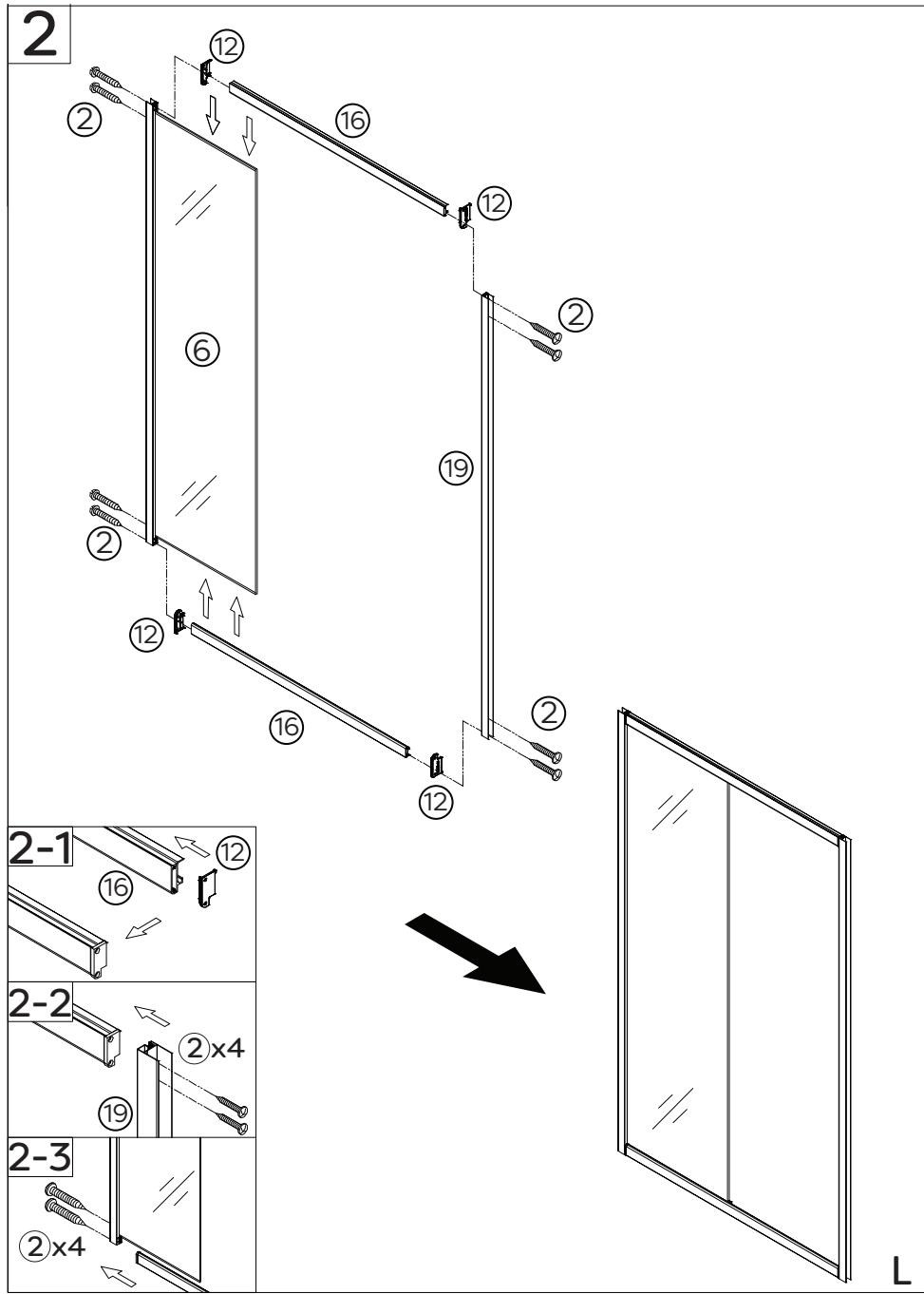


	L	W		L	W
700	660-680		700	660-680	
760	720-740		760	720-740	
800	760-780		800	760-780	
900	860-880		900	860-880	
1000	960-980	950-990	1000	960-980	950-990
1100		1050-1090	1100		1050-1090
1200		1150-1190	1200		1150-1190
1400		1350-1390	1400		1350-1390



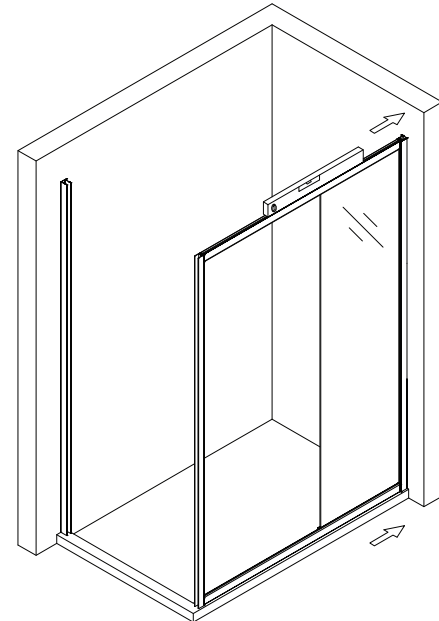
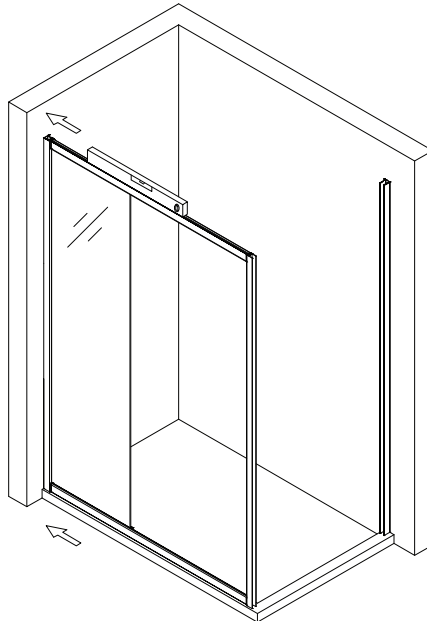
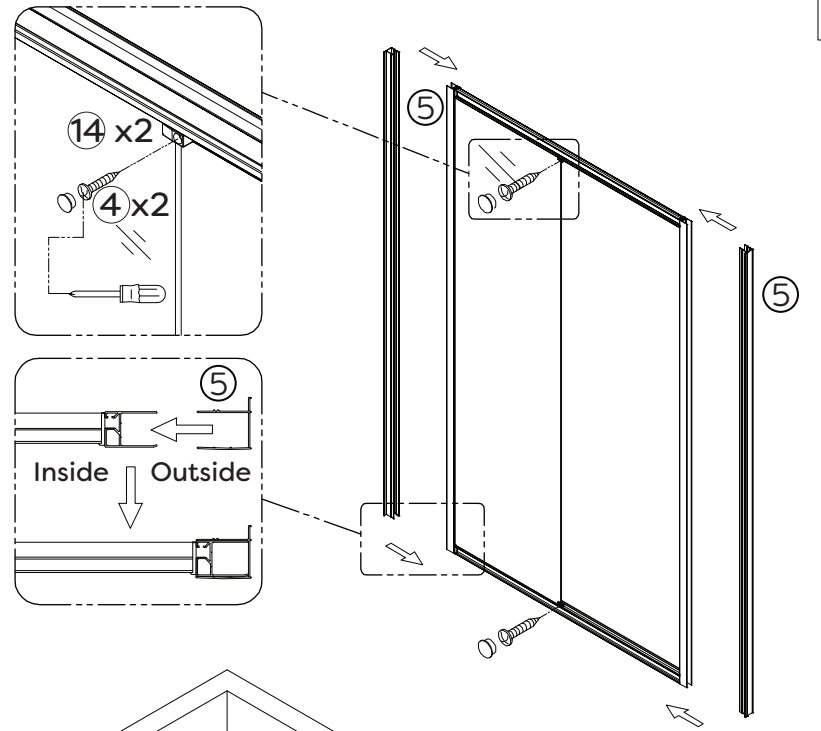
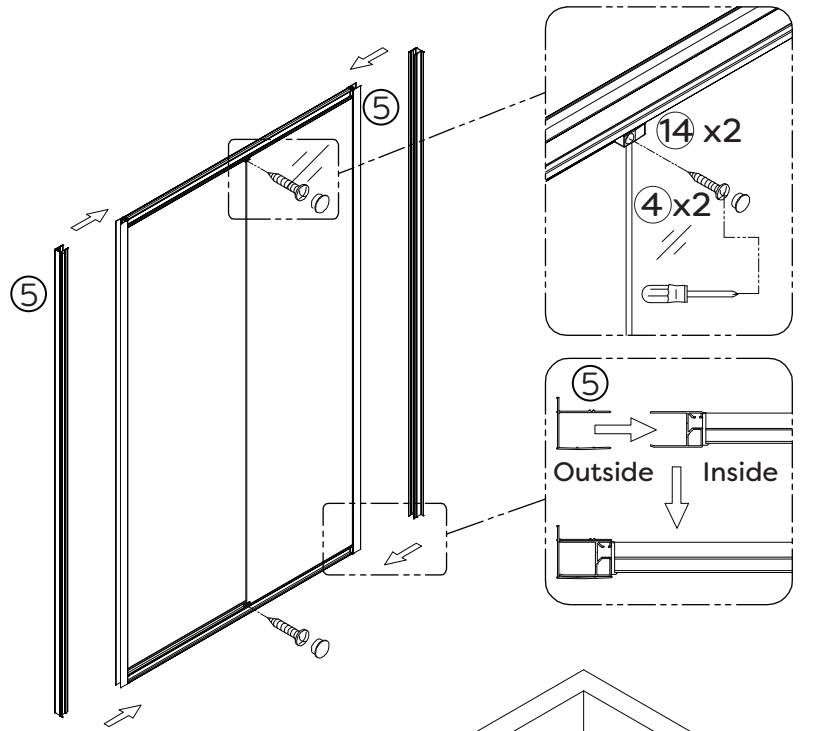
L R



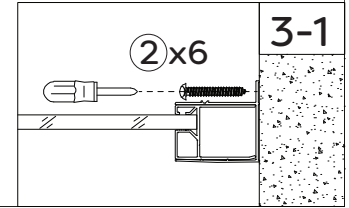
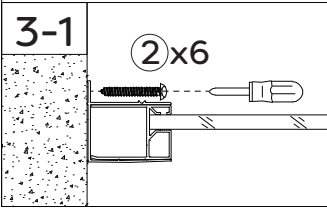


3

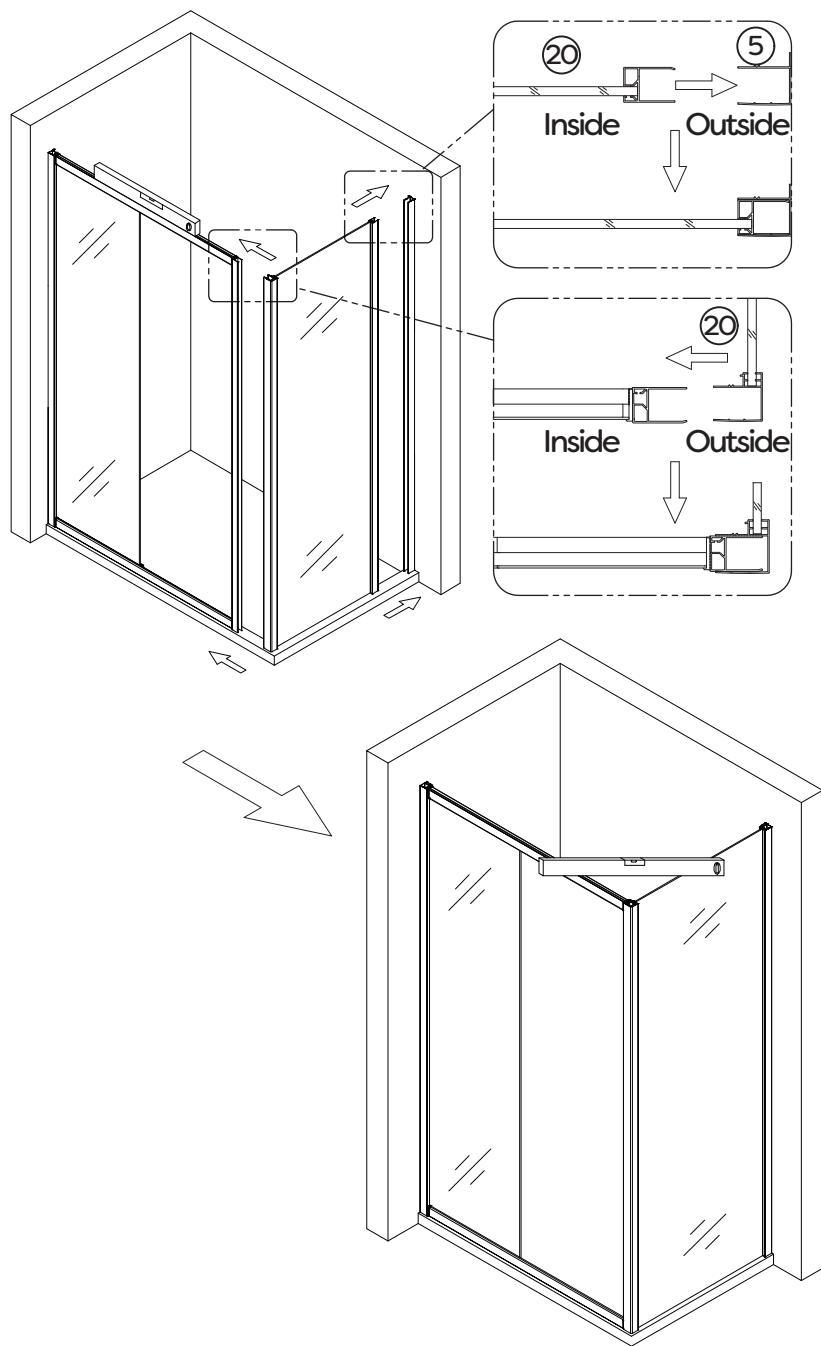
3



L R

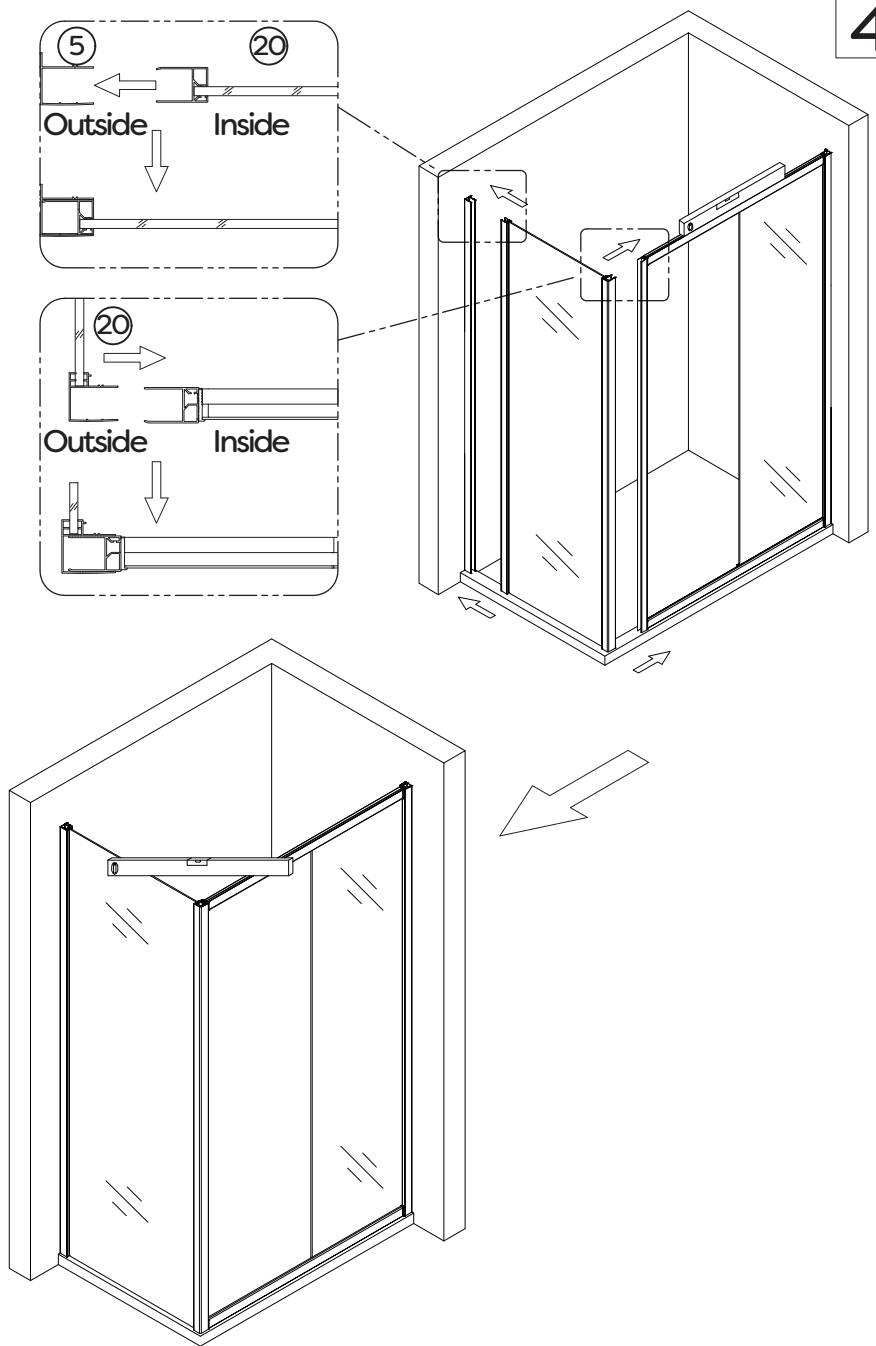


4

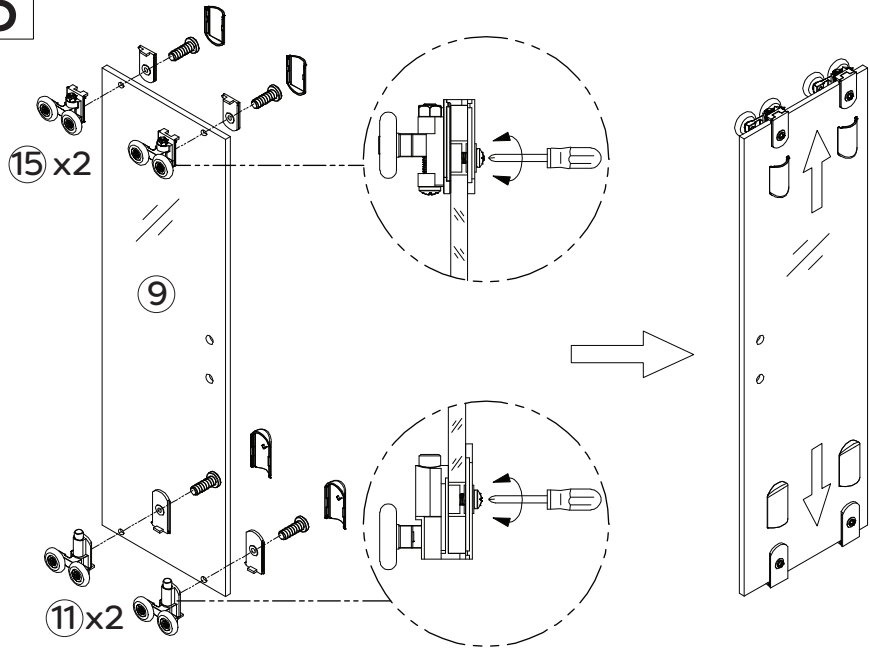


L R

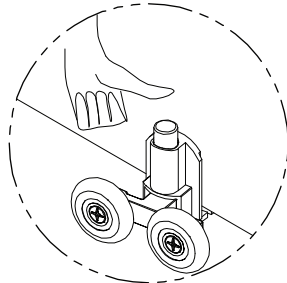
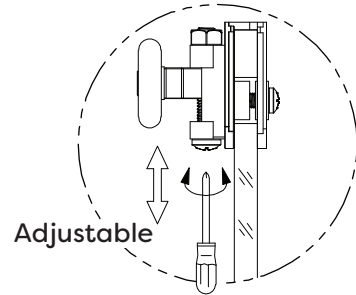
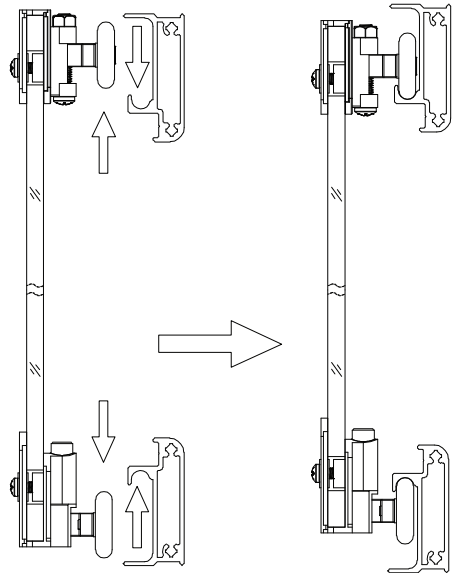
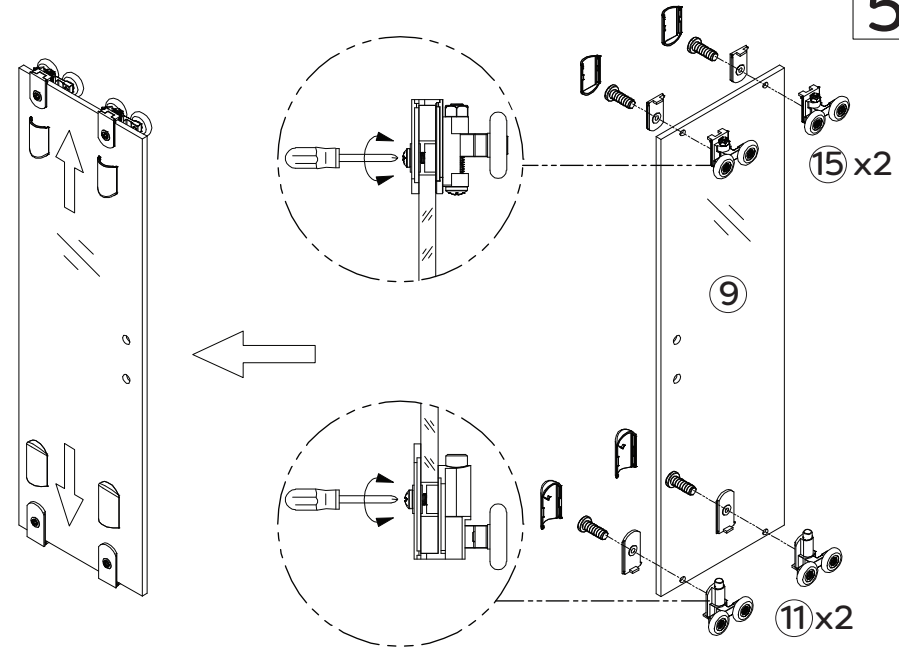
4



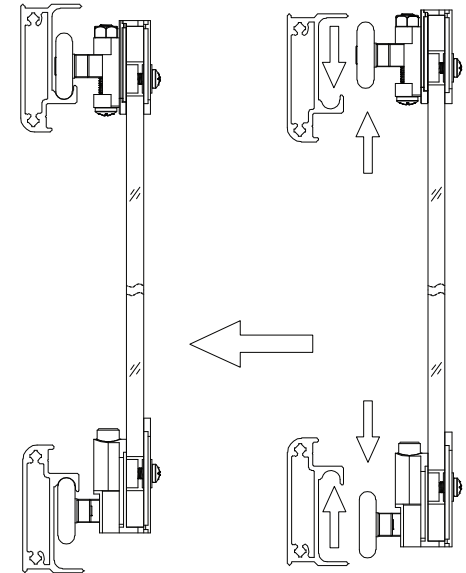
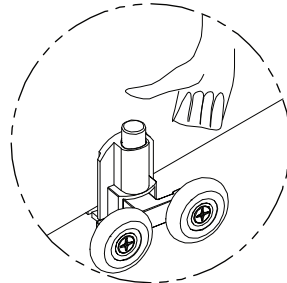
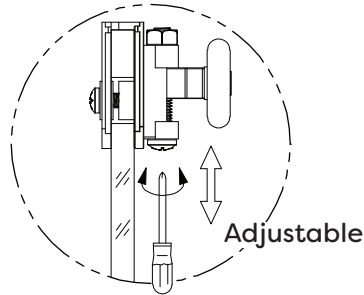
5

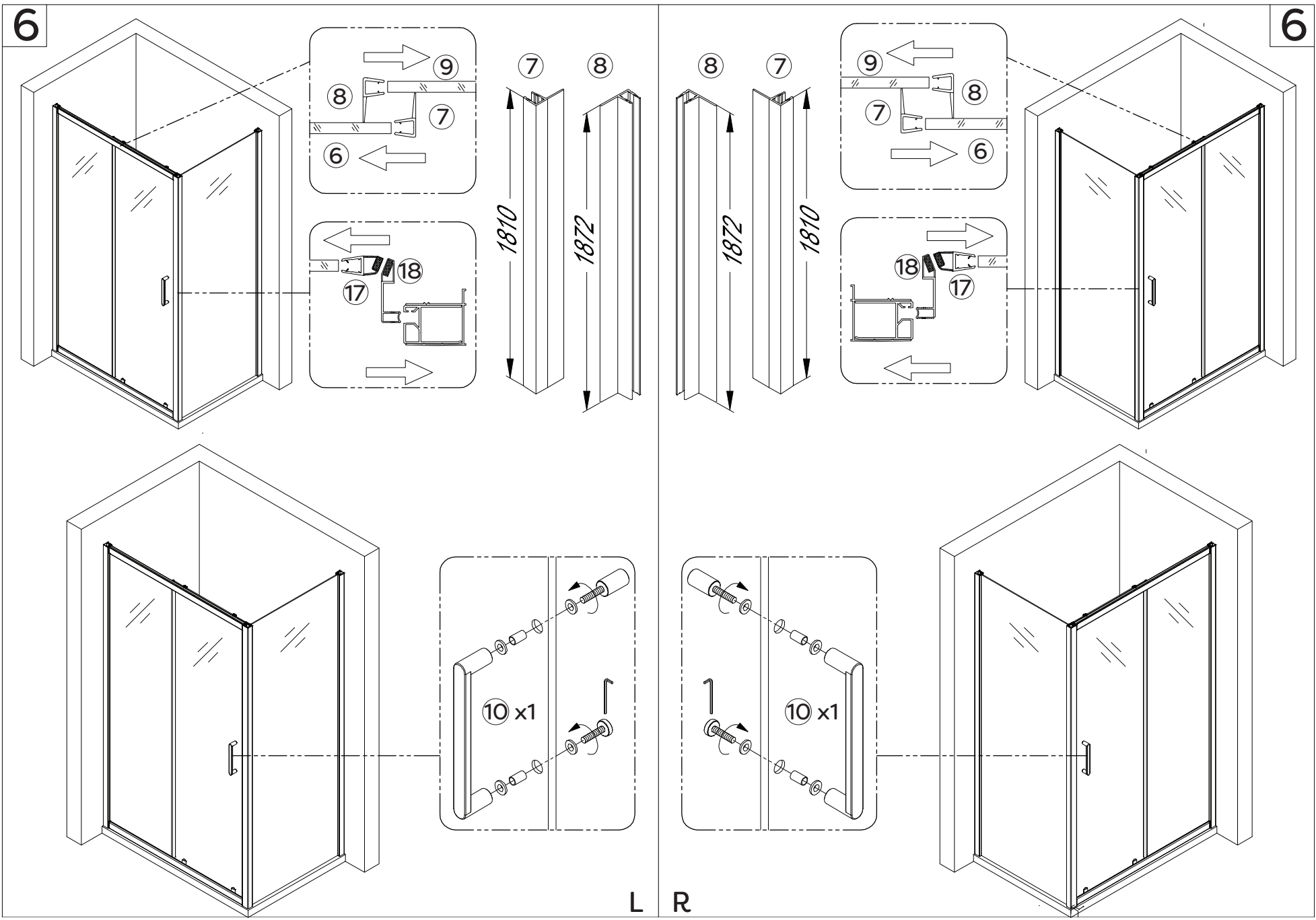


5



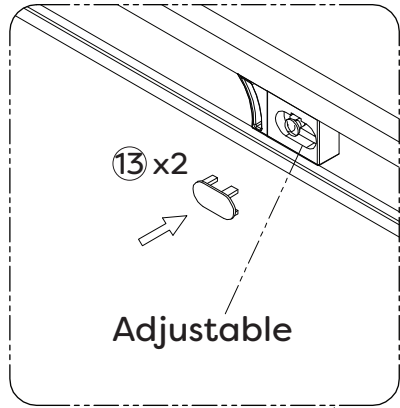
L R





7-a

Without concealed profile



7-1

Ø3.2mm
0-20mm

7-2

4 x 6

7-3

3 x 12

7-4

7-1

Ø3.2mm
0-20mm

7-2

4 x 6

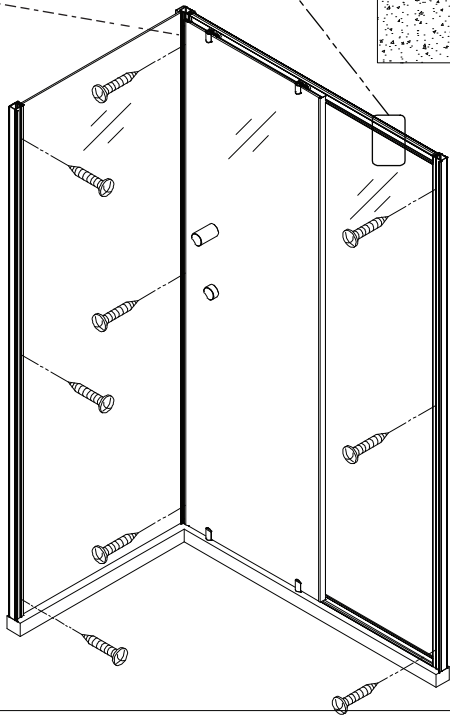
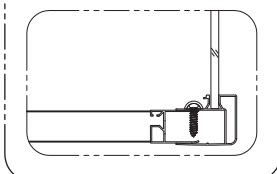
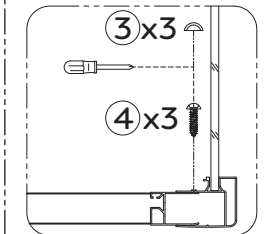
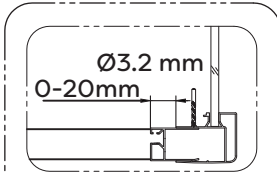
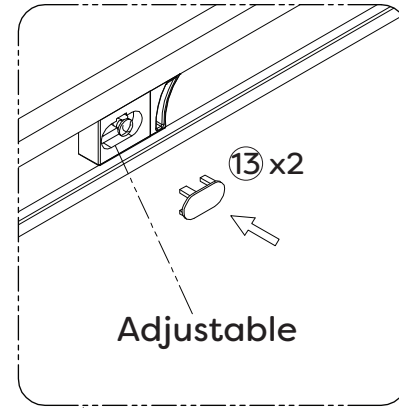
7-3

3 x 12

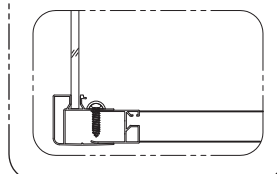
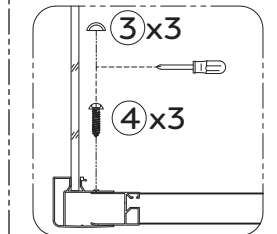
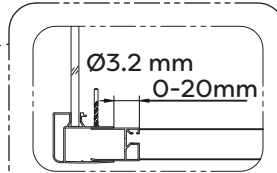
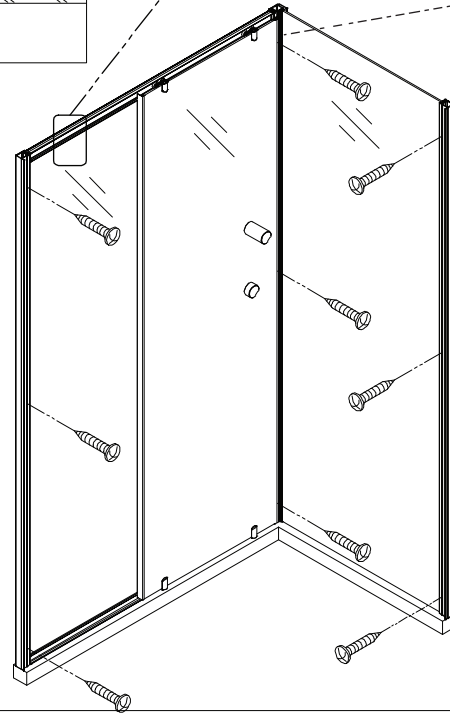
7-4

Without concealed profile

7-a

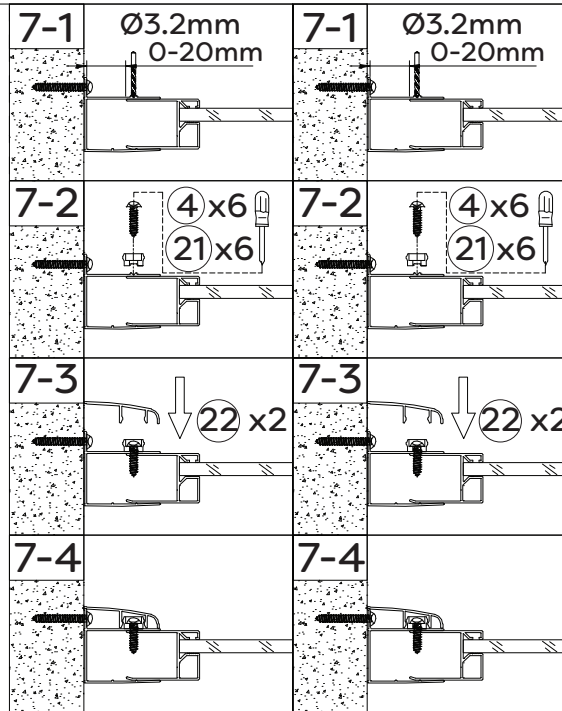
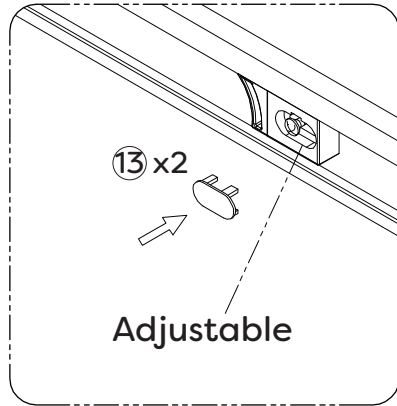


L R



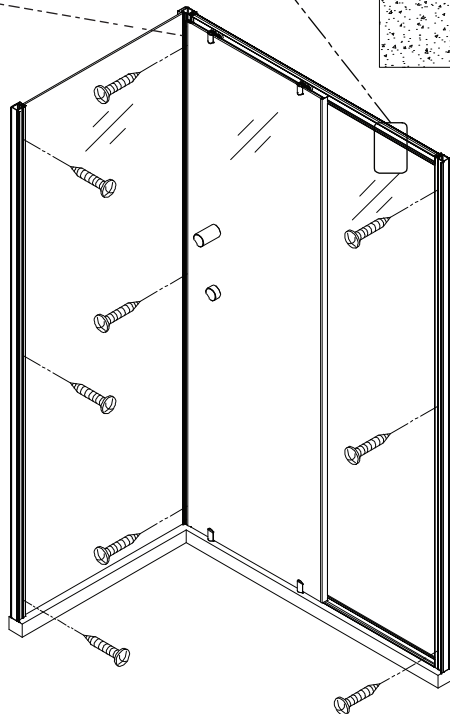
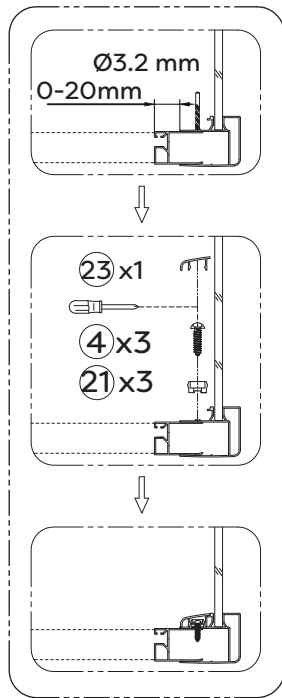
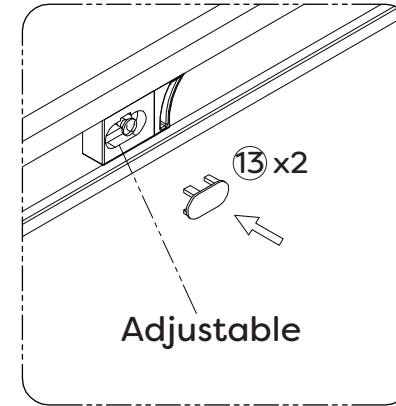
7-b

With concealed profile

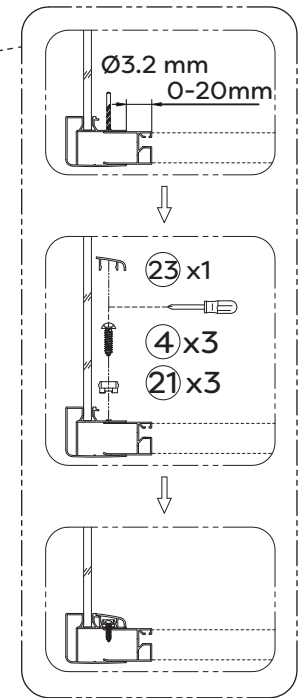
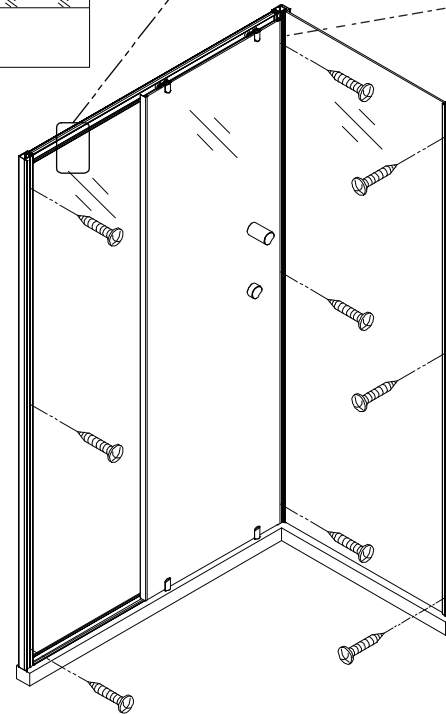


With concealed profile

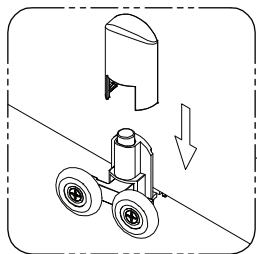
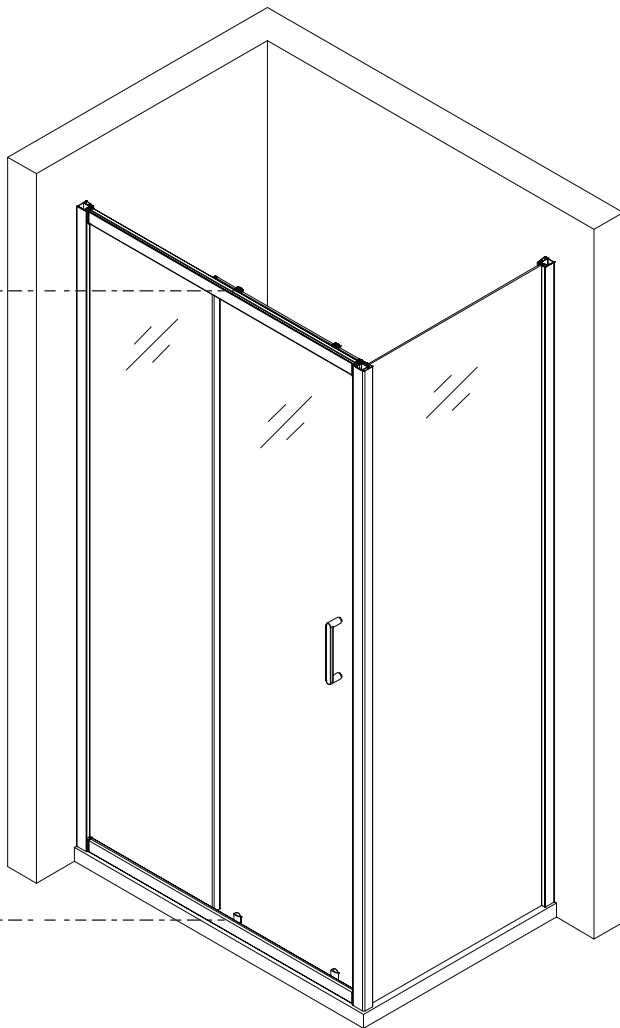
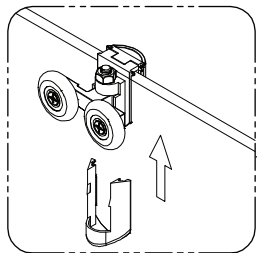
7-b



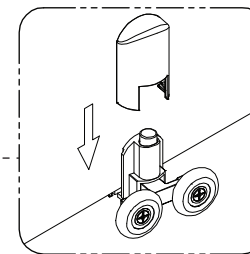
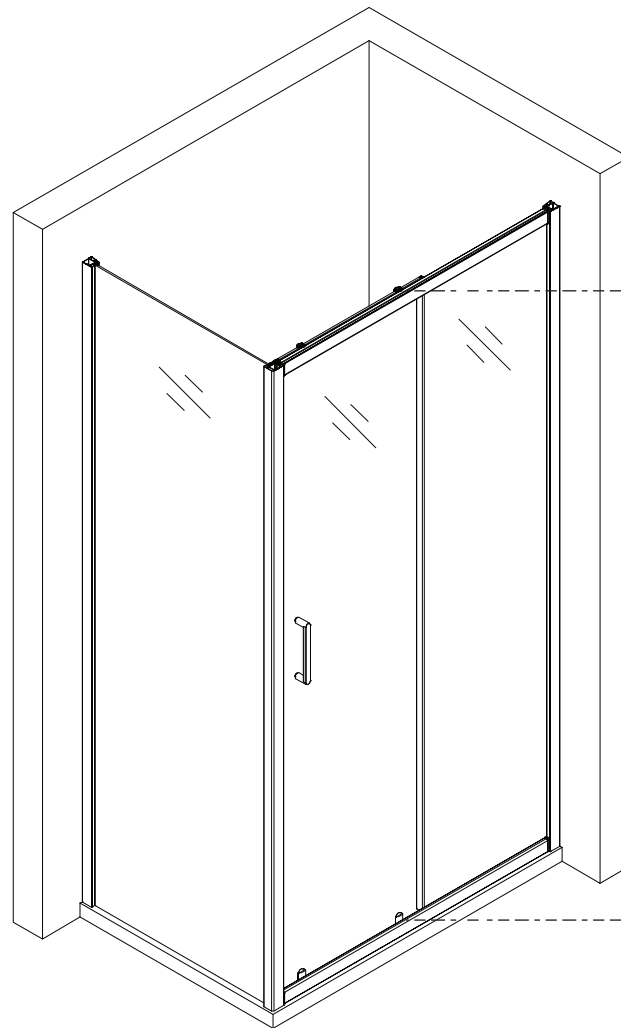
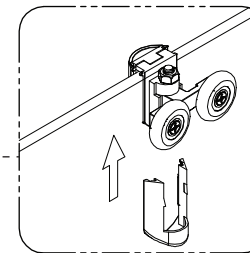
L R



8



8



L R

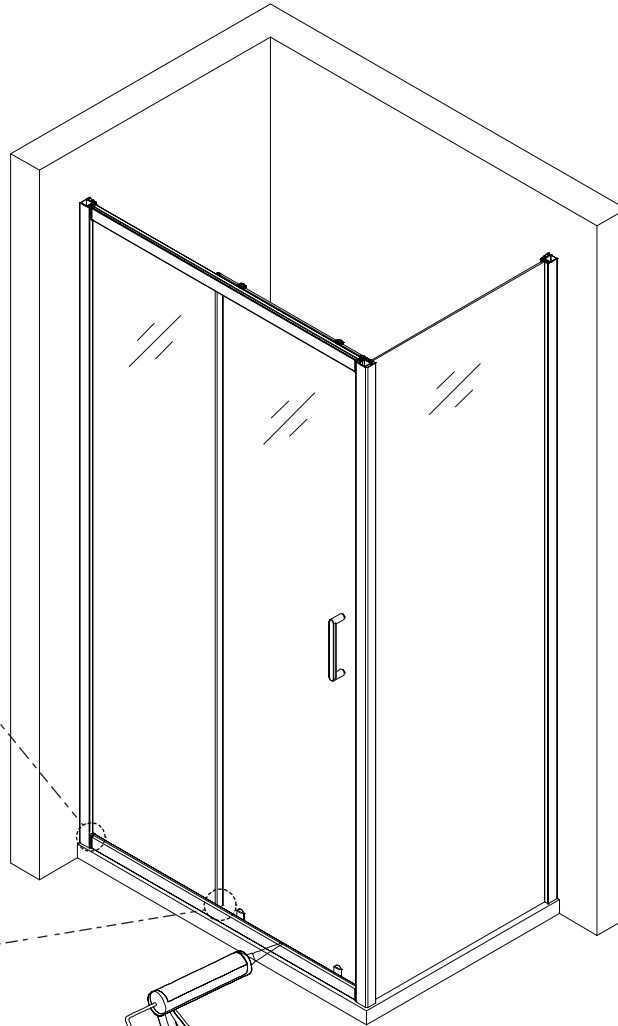
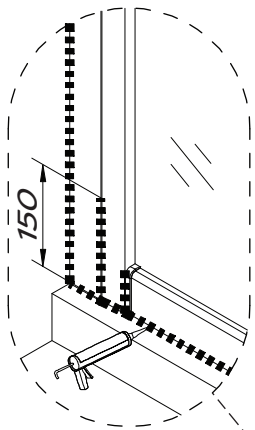
9

Attention:

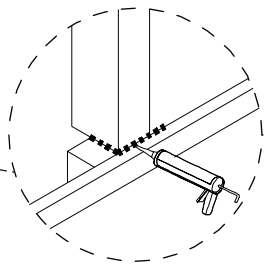
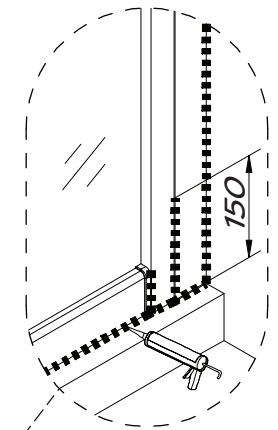
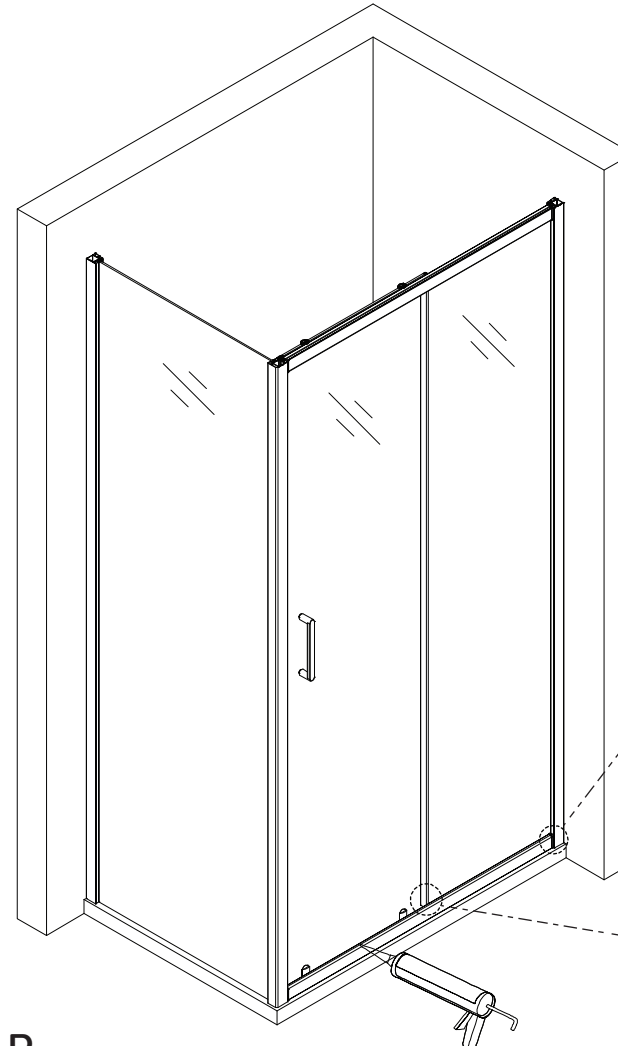
Do not use your shower enclosure within 24 hours of assembly. Do not use caustic cleaning products or abrasive material when cleaning your shower enclosure.



9



L R



Safety Information for User & Installer

Important information for fitter:

- We recommend that this product is installed by a qualified tradesperson, Victorian Plumbing Ltd. accept no liability for products incorrectly installed, or where the correct testing procedures have not been adhered to, thus resulting in consequential damage.
- Incorrect installation of the enclosure will invalidate guarantee.

Important information for fitter:

- Carefully check the product for transport damage prior to installation.
- Never install damaged panels as there is a risk of spontaneous glass breakage. The supplied fixings/wall plugs are only for mounting directly on solid walls.
- It is essential that the solid, masonry/walls be inspected for adequate load-bearing capacity prior to every installation. The supplied fixings/wall plugs are not for use with stud walls such as plaster board, wood, metal or fiber board.
- Always seek professional advice to confirm wall type and appropriate type of fixing to be used for installation. Always check walls for concealed utility lines (power, gas, and water) prior to drilling the fixing holes.

Special information on handling glass:

- Always protect all glass edges from damage.
- Never stand the glass on its corners throughout the installation! Place the packing material beneath the glass panel; never place the glass on tiles, concrete floors or similarly hard surfaces.
- It is mandatory to check each glass panel for damage prior to installation. Never install damaged glass panels as this could cause spontaneous glass breakage!
- If the glass panel is damaged during use it must be replaced without delay. (Failure could cause a risk of spontaneous glass breakage!)

Prevent damage to glass or operation of the product:

- Ensure fittings do not hinder the movement of the door.
- Ensure that no objects are within the range of the door opening/ closing area.
- Avoid hitting the panels with hard objects such as mops when cleaning or tools during assembly. Damaged panels must be replaced as failures may cause latent glass breakage.
- Do not hit against the glass edge with hard or pointed objects (e.g. with mop handle) Damaged panels must be replaced; damage may cause spontaneous glass breakage.
- Do not use panels or handles to hang or support items such as drying towels or clothes.

Maintenance Information

Service/repair and inspection for safety

- After cleaning, check all the moving elements are sufficiently greased, re-grease if necessary, only use acid-free grease.

Cleaning

Do not use steam cleaners, caustic or aggressive cleaning and scouring agents, cleaners that corrode plastics, or solvents containing acetone, turpentine or neat bleach.

- Do not use any cleaning agents, which according to the manufacturer's specifications may corrode aluminium or light alloys.
- Do not use glass cleaning pastes and micro-fibre cloths to prevent damage to glass coating system.
- In order to prevent the build-up of lime scale, remove any remaining drops of water after showering using a squeegee, soft cloth without any cleaning agent.
- After use, carefully rinse off all residue such as; liquid soaps, shampoos, shower gels or similar cosmetic product with water to avoid deposits.

Important: Never apply the cleaning agent for longer than necessary. After cleaning, check all the moving elements are sufficiently greased, re-grease if necessary.

Recycling and Disposal

Please recycle the packaging in accordance with your local government regulations on waste handling, and follow the same advice at the end of the products life.

For more Information

Visit: victorianplumbing.co.uk

Notes:

www.victorianplumbing.co.uk