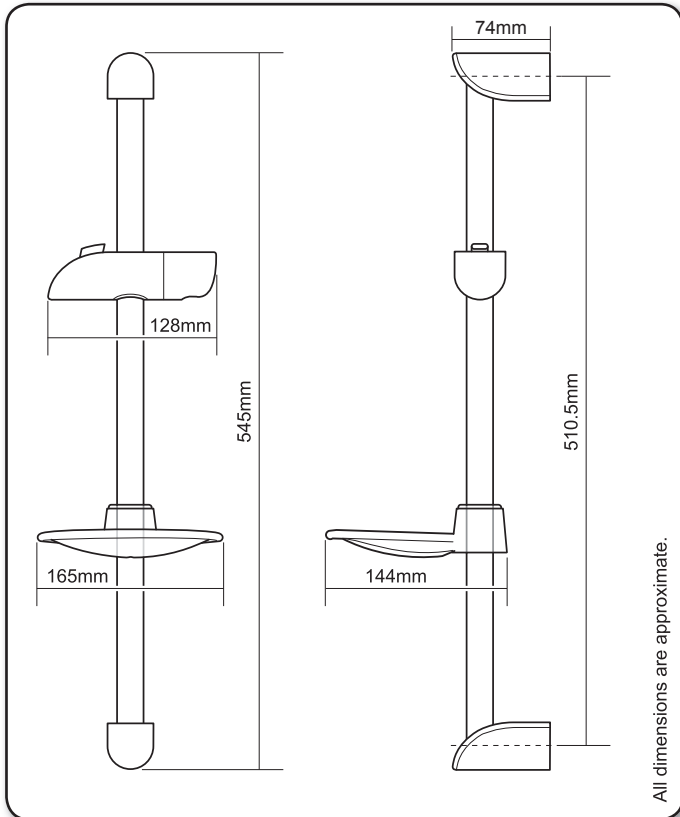


LEON

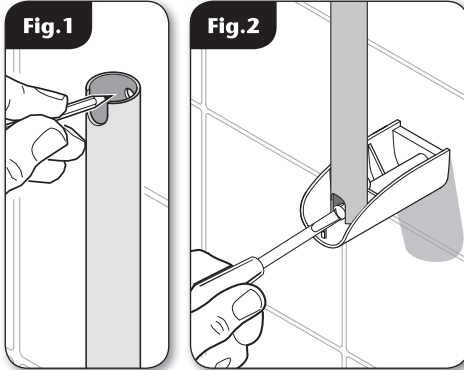
Riser rail assembly



Installation Instructions

INSTALLERS PLEASE NOTE THESE INSTRUCTIONS ARE TO BE LEFT WITH THE USER

FITTING THE RISER RAIL ASSEMBLY



FITTING THE RISER RAIL

WARNING!

Check there are no hidden cables or pipes before drilling holes for wall plugs. Use great care when using power tools near water. The use of a residual current device (RCD) is recommended.

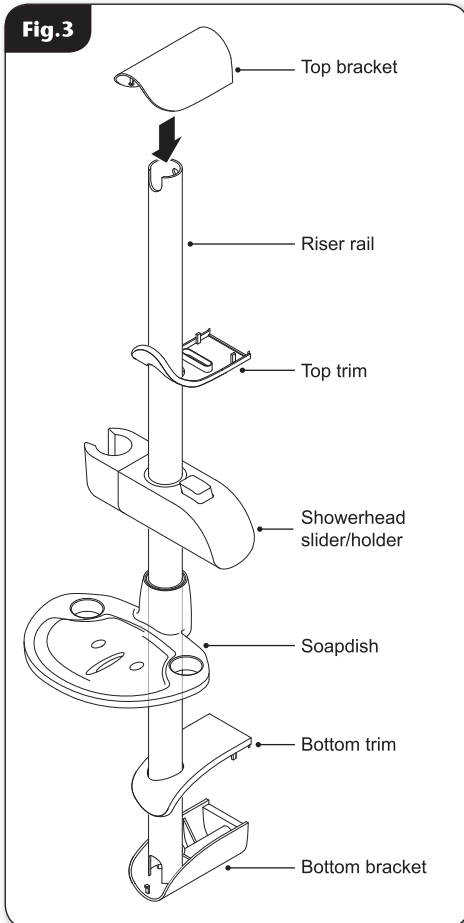
Decide the position for the rail on the wall within the shower area. Proceed as follows:

- Offer one of the brackets to the wall for the lower position (both brackets are the same) and mark the centre fixing hole position.
- Drill and plug the wall. (*An appropriate drill bit should be used. If the wall is brick, plasterboard or a soft building block, appropriate wall plugs and screws should be fitted.*)
- Using the riser rail as a guide, line up the bottom hole with the wall plug just fitted. Making sure the rail is positioned straight, mark the top fixing hole (**fig.1**).
- Drill and plug the wall as described above.
- Offer the bottom bracket and riser rail to the wall and secure, but **DO NOT** fully tighten yet (**fig.2**).

Note: *The large cut out section on the riser rail should be at the front when fitting it.*

- Before the top bracket can be secured into place, the following items need to be fitted onto the riser rail in the order and orientation shown in (**fig.3**) - the slider/holder can be fitted with the showerhead on either the left or right of the riser rail.
- Once all items are in place the top bracket should be secured to the wall and bottom bracket fully tightened.
- Finally the top and bottom trims can be clicked into place.

Should the need arise, the trim cover can be removed by inserting a screwdriver and very carefully levering it away from the bracket.



FITTING THE RISER RAIL ASSEMBLY

FITTING THE HOSE AND SHOWERHEAD

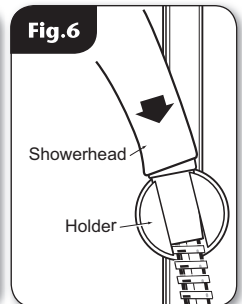
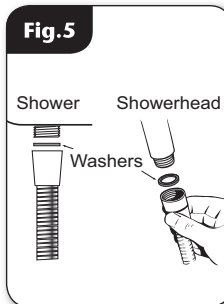
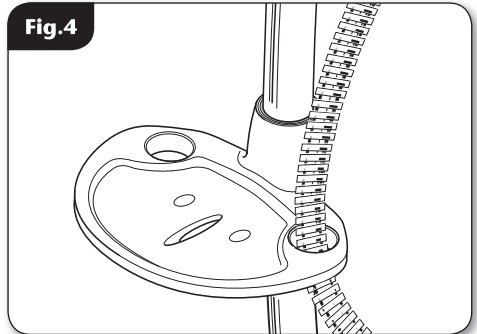
- Feed the flexible hose through the appropriate soap dish opening (**fig.4**) so that the dish acts as a retaining ring (Water Regulations).

Note: *The holder is slightly tapered and the showerhead and hose will only fit from one direction.*

- Screw the flexible hose onto the shower outlet and showerhead (**fig.5**), making sure the supplied washers are in place at both ends of the flexible hose.
- Place the showerhead into the holder (**fig.6**) and check that it fits correctly.

IMPORTANT: *This riser rail assembly is supplied with a hose retainer. Water Regulations require the fitting of a double check valve or similar device in the supply pipework to prevent backflow if the retainer is not used.*

IMPORTANT: *It is the conical end of the hose which grips into the holder. The showerhead will not fit in the holder without the hose attached.*



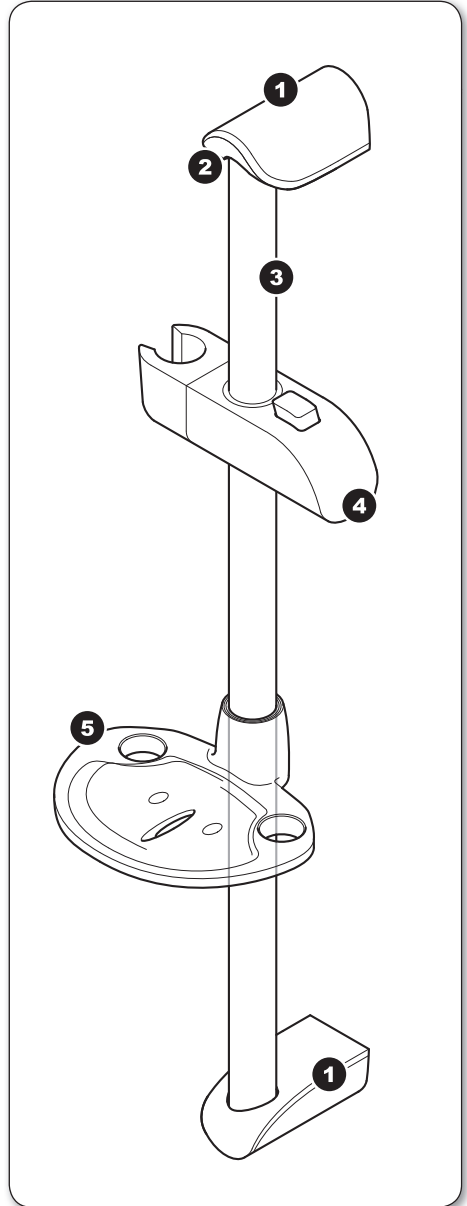
SPARE PARTS

Ref. Description	Part Number
-------------------------	--------------------

- | | |
|-----------------------------|----------|
| - Kit without rail | |
| <i>white</i> | 88900031 |
| <i>chrome</i> | 88900032 |
| 1. Brackets (pair) | |
| <i>white</i> | 83314430 |
| <i>chrome</i> | 83314440 |
| 2. Trim (single) | |
| <i>white</i> | 83314450 |
| <i>chrome</i> | 83314460 |
| 3. Riser rail 530mm | |
| <i>anodised</i> | 88800021 |
| <i>chrome</i> | 88800022 |
| 4. Showerhead holder | |
| <i>white</i> | 83314470 |
| <i>chrome</i> | 83314480 |
| 5. Soap dish | |
| <i>clear</i> | 22011850 |

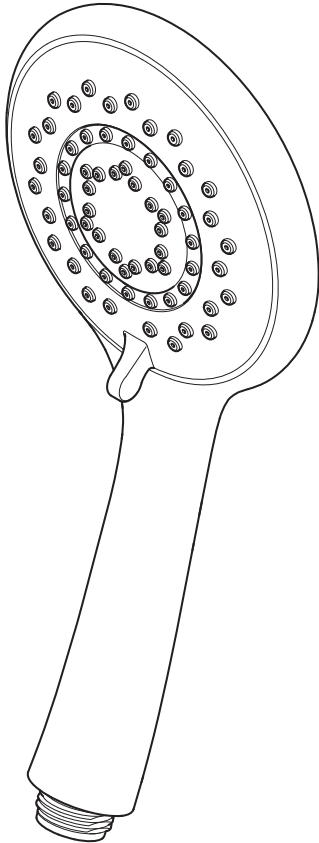
Flexible hoses available in the following sizes:

- 1.00m in white, chrome and gold
- 1.25m in white, chrome and gold
- 1.75m in chrome only

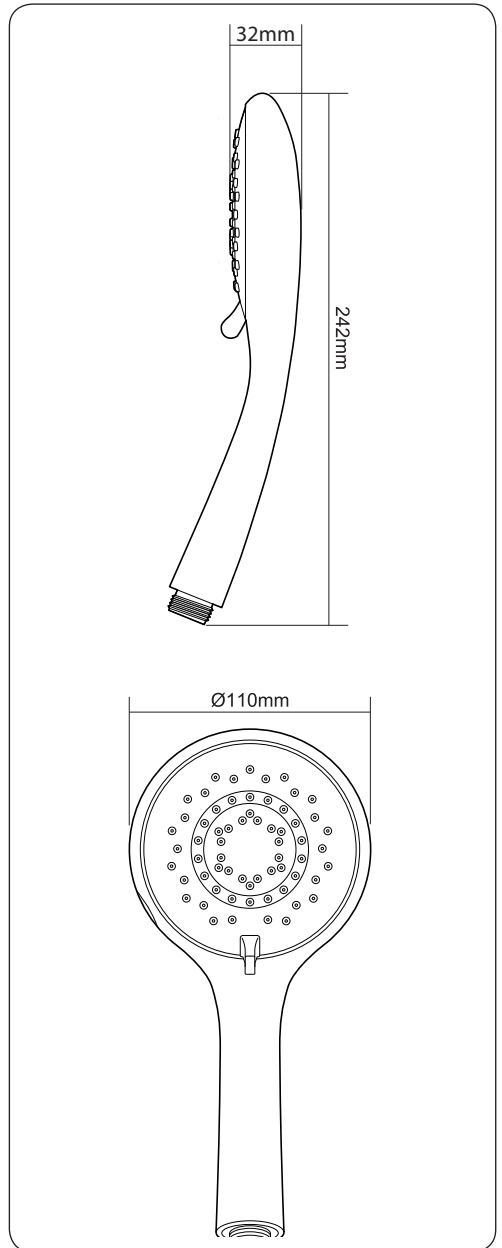


Please refer to shower installation and operating instructions for service details

8000 Series Showerhead

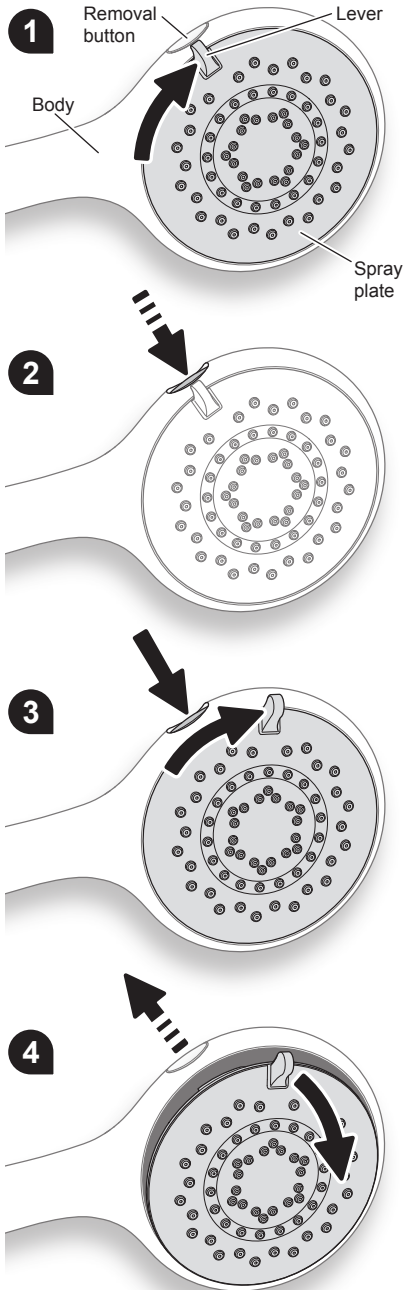


Maintenance Instructions



INSTALLERS PLEASE NOTE THESE INSTRUCTIONS ARE TO BE LEFT WITH THE USER

8000 SERIES SHOWERHEAD



This instruction book covers the operation and cleaning of the showerhead.

SHOWERHEAD SPRAY POSITIONS

Five showerhead patterns are available.

Adjust the spray pattern by turning the lever on the showerhead in either direction until the desired pattern is obtained. These positions are located at 4, 5, 6, 7 and 8 o'clock, when the showerhead is in the vertical position.

REMOVING THE SPRAY PLATE

IMPORTANT: Before cleaning, turn off the unit at the mains supply to avoid the shower being accidentally switched on.

- 1 Rotate the spray plate clockwise until it reaches its 'stop' position facing the removal button.
- 2 Press and hold the removal button in.
- 3 With the removal button held in, rotate the face plate clockwise past the removal button until it stops.
- 4 Release the removal button and gently pull the face plate away from the body using the adjustment lever.

IMPORTANT

Should any difficulty arise when trying to remove the spray plate (image 4) **DO NOT** try to force it out of the body by hand, or by using tools such as a screwdriver. Reset the spray plate to the position shown in image 7 and repeat steps 1-4 as listed above.

DO NOT remove the inner plate (image 5). Removing this, **WILL** invalidate any product warranty.

8000 SERIES SHOWERHEAD

CLEANING

Triton recommends that all products are cleaned using warm, soapy water.

DO NOT use abrasive or aggressive chemical cleaning products as this may affect the product surface and finish and invalidate your guarantee.

NOTE: *The showerhead can be cleaned quickly by simply rubbing your fingers over the spray plate.*

IT IS IMPORTANT TO KEEP THE SHOWERHEAD CLEAN TO MAINTAIN THE PERFORMANCE OF THE SHOWER. The hardness of the water will determine the frequency of cleaning. For example, if the shower is used every day in a very hard water area, it may be necessary to clean the showerhead on a weekly basis.

REPLACING THE SPRAY PLATE

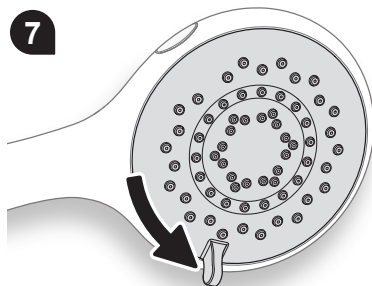
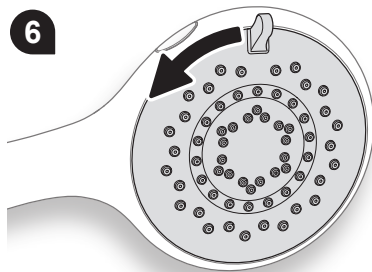
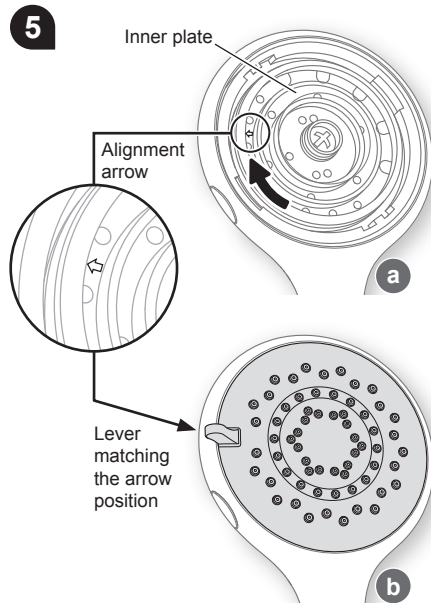
- 5** The spray plate and face plate **MUST** be aligned correctly for reinstallation. To align them correctly, please do the following:
- a** Ensure that the inner plate is turned fully clockwise until it stops. The alignment arrow position is approximately 9 o'clock, when the showerhead is in the vertical position.
 - b** The lever **MUST** then be matched up with the arrows position to reinstall the spray plate correctly.

Should any difficulty arise when trying to refit the spray plate **DO NOT** try to force it back into position. Please make sure the arrow and lever positions are correct.

Once in place, the spray plate face should be gently pressed until its edges sit flush with the body.

- 6** Now installed into the body, start to turn the spray plate anti-clockwise.
- 7** To lock the plate back into the mechanism, the spray plate **MUST** be rotated fully anti-clockwise until it stops.

IMPORTANT: *The showerhead should be directed towards waste, and the shower switched on to ensure the spray plate is locked into the mechanism before use.*



SPARE PARTS

Ref. Description **Part number**

1. 5 mode rub clean showerheads

SHOWER HEADS

(mixer showers only)

88500060	WHITE MIXER
88500061	CHROME MIXER
88500068	SATIN MIXER

(electric showers only)

88500062.....	INCLUSIVE WHT
88500069	ELEC SATIN
88500070	INCLUSIVE CHROME
88500074	ELEC WHITE
88500075	ELEC CHROME

2. Flow Regulator

FLOW REGULATORS

22011740.....	4 L/MIN
22011750.....	5 L/MIN
22011760.....	6 L/MIN
22011610.....	7 L/MIN
22011280.....	8 L/MIN

