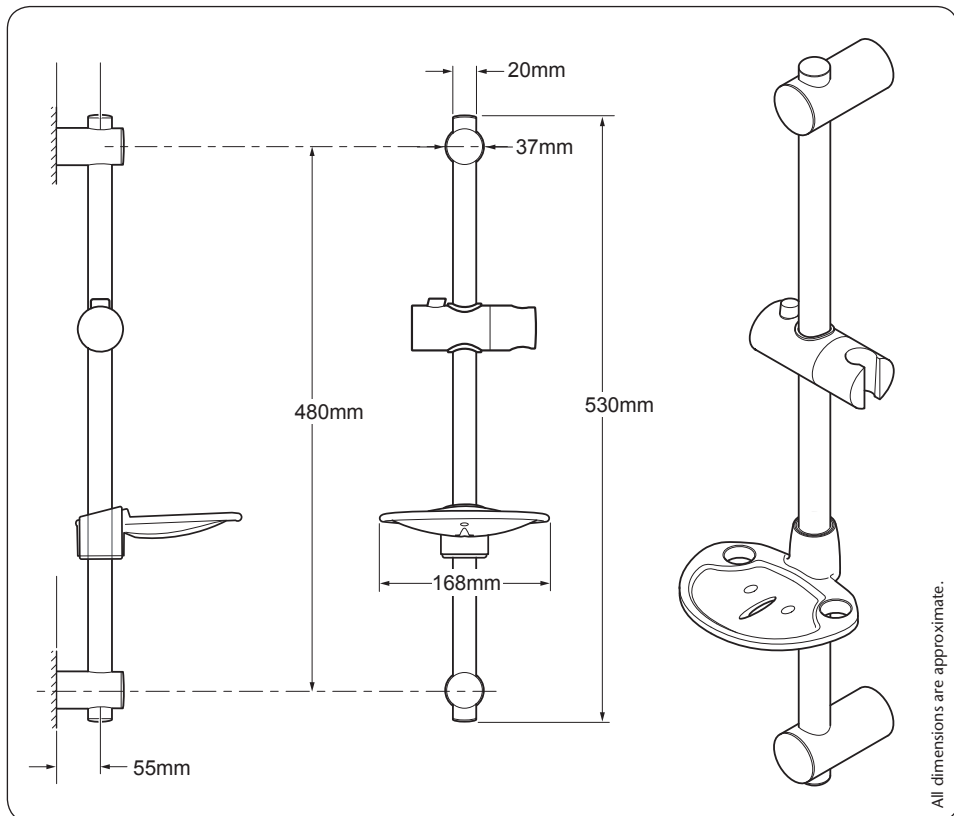


DAVID

Riser rail assembly



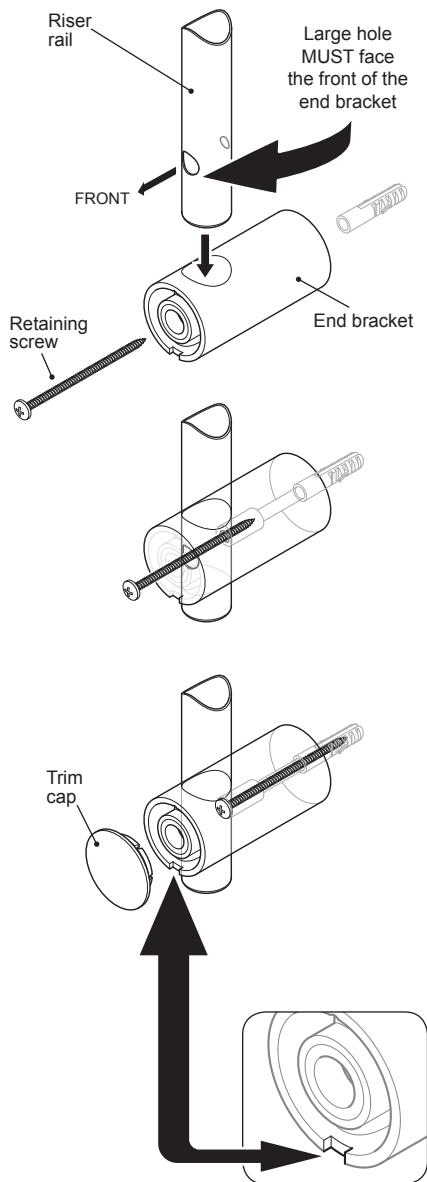
Installation Instructions

INSTALLERS PLEASE NOTE THESE INSTRUCTIONS ARE TO BE LEFT WITH THE USER

FITTING THE RISER RAIL ASSEMBLY

Fig. 1

Note: Bottom end bracket assembly is shown below.



WARNING!

Check there are no hidden cables or pipes before drilling holes for wall plugs. Use great care when using power tools near water. The use of a residual current device (RCD) is recommended.

Note: It is recommended that the riser rail is used as a template to mark the distance of the centres for the top and bottom end brackets.

- Using the riser rail as a height guide and hole template, decide the position for the rail on the wall within the shower area.
- Mark where the upper and lower bracket holes will need to be drilled, making sure the riser rail is vertical.
- Drill and plug the wall. (An appropriate drill bit should be used. If the wall is brick, plasterboard or a soft building block, appropriate wall plugs and screws should be fitted).
- Fit the showerhead holder onto the riser rail as follows: press and hold the button on the top of the holder to release the locking mechanism, then slide the holder onto the rail. Simply release the button to secure the holder in place (**fig.2**).
- Slide the soap dish onto the bottom of the riser rail below the holder (**fig.2**).

Note: The end brackets have a notch in them - inset bottom of (fig.1). This should be in the 6 o'clock position on the bottom bracket and in the 12 o'clock position on the top bracket.

FITTING THE RISER RAIL ASSEMBLY

- Once the holder and soap dish are in place, the riser rail will need to be secured. Slide the riser rail into the bottom end bracket and insert the retaining screw (**fig.3**).
- Secure to the wall, but do not tighten fully.
- Slide the top end bracket onto the riser rail and secure using the retaining screw.
- Once in position, tighten the retaining screws and fit the trim caps (**fig.4**).

FITTING THE HOSE AND SHOWERHEAD

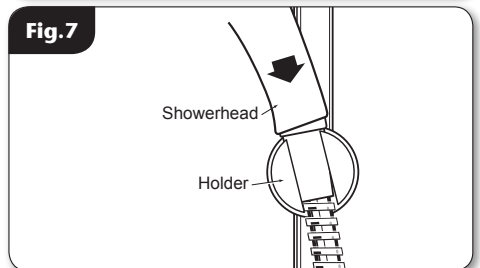
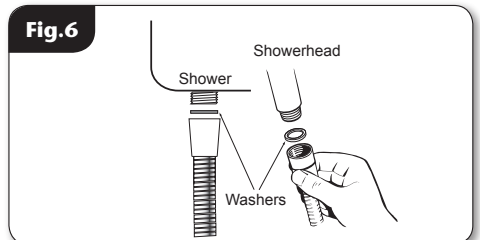
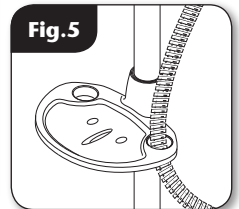
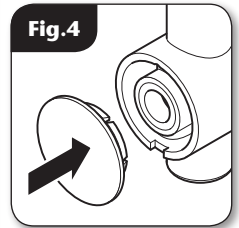
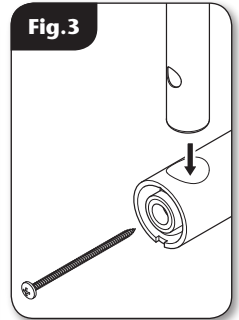
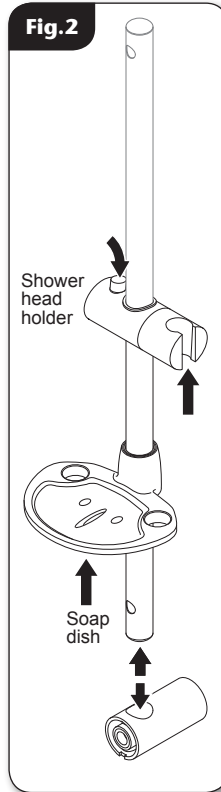
Feed the flexible hose (**fig.5**) through the opening in the soap dish (Water Regulations).

Screw the flexible hose to the shower outlet and showerhead, making sure the supplied washers are in place at both ends of the flexible hose (**fig.6**).

Place the showerhead into the holder and check that it fits correctly (**fig.7**).

Note: The holder is slightly tapered and the showerhead and hose will only fit from one direction.

IMPORTANT: It is the conical end of the hose which grips into the holder. The showerhead will not fit in the holder without the hose attached.



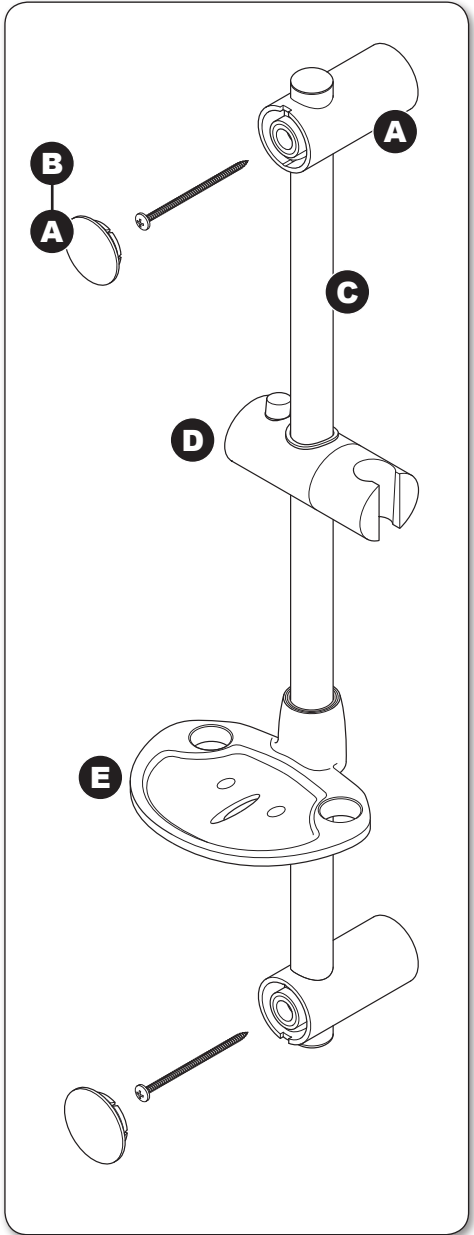
SPARE PARTS

Ref. Description **Spares No.**

- Kit (without riser rail) *white* 88900030
- A** Bracket and trims (pair) *white*..... 83313510
- B** Trim (single) *white*..... 83313520
- C** Riser rail *aluminium*..... 88800015
- D** Showerhead holder *white* 22011840
- E** Soap dish *clear* 22011850

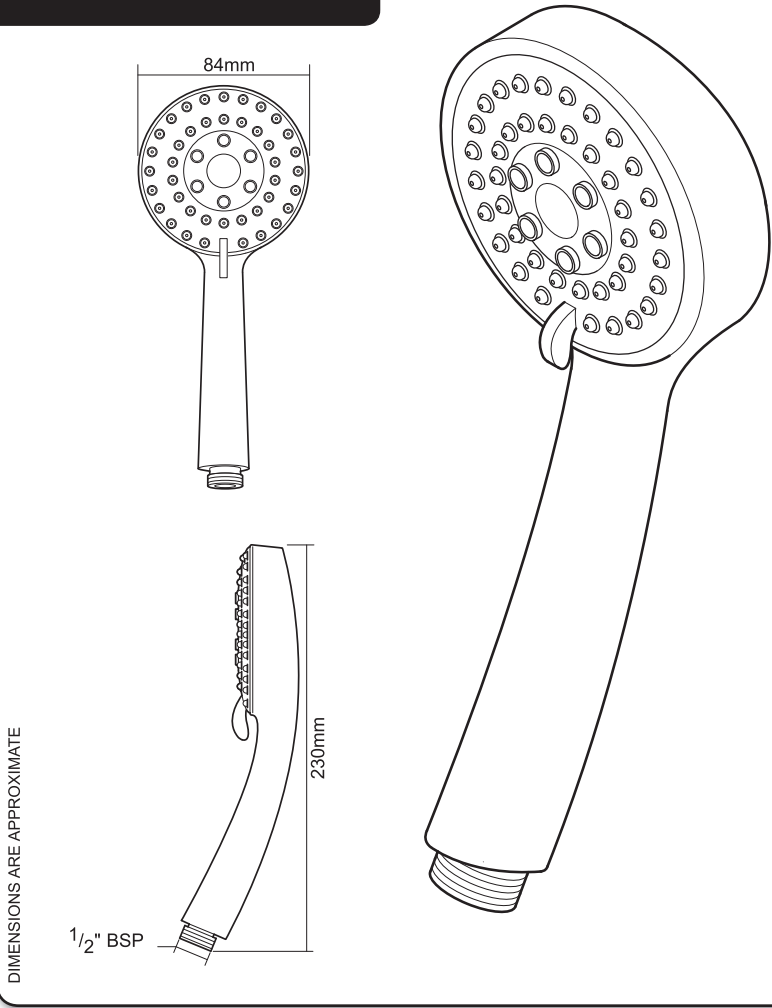
Flexible hoses available in the following sizes:

- 1.00 m in white, chrome and gold
- 1.25 m in white, chrome and gold
- 1.75 m in chrome only



Please refer to shower installation and operating instructions for service details

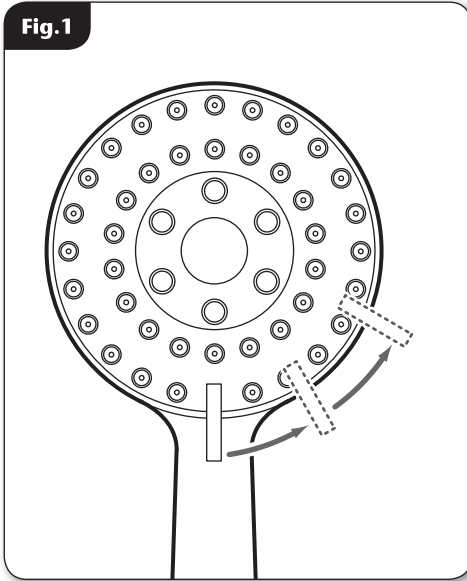
LARA
Three position
shower head



INSTALLERS PLEASE NOTE THESE INSTRUCTIONS ARE TO BE LEFT WITH THE USER

LARA three position shower head

Fig. 1



SPARES

Ref.	Description	Part No.
1.	Showerhead - chrome	88500040
2.	Showerhead - white	88500043

INSTALLATION

Before installing the shower head, flush the pipework through to remove any debris that may be in the system.

The showerhead has three spray positions. The position settings are shown in (fig.1).

CLEANING

Triton recommends that all products are cleaned using warm, soapy water.

Do not use abrasive or aggressive chemical cleaning products as this may affect the product surface and finish.

Note: The showerhead can be cleaned quickly by simply rubbing your fingers over the faceplate.

Before cleaning, turn off the unit at the mains supply to avoid the shower being accidentally switched on.

IT IS IMPORTANT TO KEEP THE SHOWERHEAD CLEAN TO MAINTAIN THE PERFORMANCE OF THE SHOWER. The hardness of the water will determine the frequency of cleaning. For example, if the shower is used every day in a very hard water area, it may be necessary to clean the showerhead on a weekly basis.

Note: The shower head is not designed to be disassembled.

