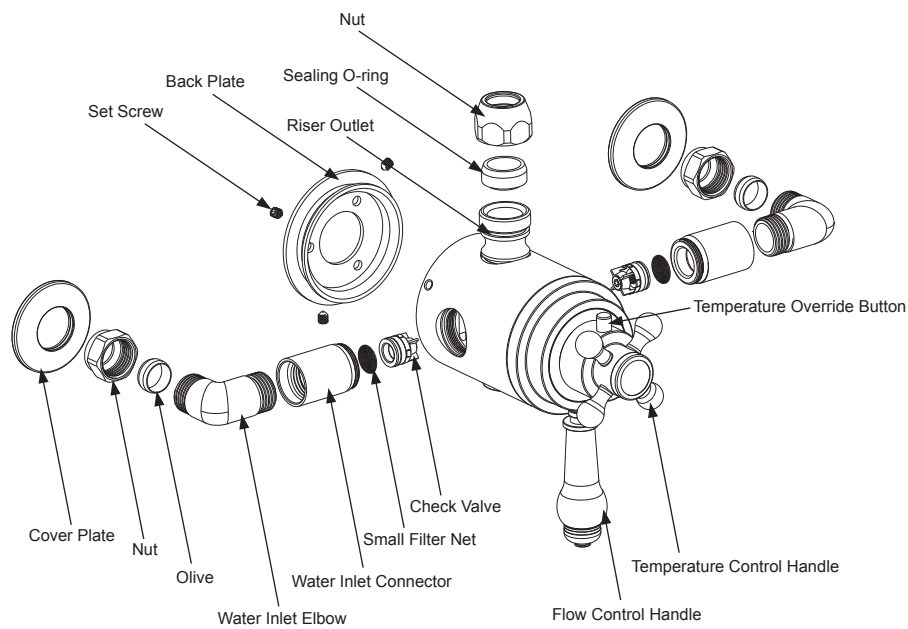
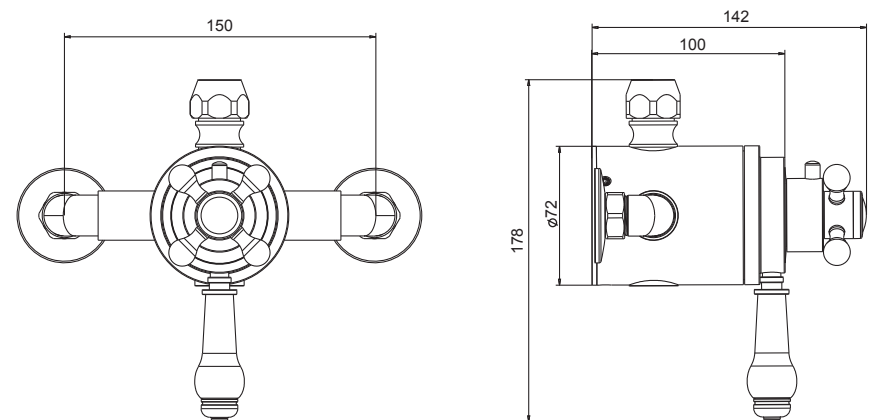


VII. Exploded Diagram



Dual Control Thermostatic Shower Valve



Installation & Maintenance Instructions

Please follow them carefully and leave this manual with end user

I. Operation Notice

1. The work condition for use of this product is cold water 4-29°C, hot water 55-85°C and water pressure 0.1-10 bar. To avoid the differential pressure between hot water and cold water, the thermostatic cartridge is preferably under the condition of water pressure 3 bar, hot water 65°C and cold water 15°C.
2. Make sure the shower valve is off when no water comes out of it (especially when nobody resides in the house or during the period of decoration or the absence of water).
3. When the room temperature drops below 0°C, take necessary measures (such measure as keeping shower valve warm and closing windows) to prevent the shower valve from being frozen or even broken (especially when windows kept open for air ventilation while nobody resides in).
4. Do not disassemble the valve unless you are an expert.

II. Installation

1. Determine the fixing position for the valve.
 2. Prepare the supply pipes (hot on the left and cold on the right) at the required height with a width of 150mm centres, making the ends of the pipes 15mm out from the face of the wall, not exceed.
 3. Hot water inlet to be connected with hot supply on the left of the valve, cold water inlet to be connected with cold supply on the right of the valve, which are clearly marked. Make sure that they are correctly connected, otherwise, the thermostatic cartridge will lose its function of controlling temperature and may cause scald.
 4. Prior to installation and connecting, make sure the pipes are thoroughly flushed to remove any debris etc. Attention: Failure to do this will impair the flow of water.
 5. Remove the nuts and olives and place the valve over pipes, mark the position of the back plate and remove. Remove the back plate from the valve by loosening the set screw, position the back plate onto the wall and mark the position of the 3 holes. Drill suitable length holes at the marked positions. Use supplied plugs and screws to secure the back plate.
 6. Slide the cover plates onto the nuts and position on the each pipe with the cover plate against the wall, slide an olive onto each pipe. Push the valve over each pipe and into the back plate, tighten the 2 nuts onto hot and cold inlet, and tighten the set screw with supplied Allen key to lock the valve.
 7. Push the riser into the top riser outlet, tighten the nut.
 8. Then turn on the water supply. Check that there is no leakage.
- Attention: If you choose the concealed model. The valve will come with valve cover plate, not the small nut cover plate. You should make a recess in the wall to house the valve. The depth of the recess should be 53mm to 68mm below the finished wall surface to fit the cover plate correctly.

III. Maintenance

If the water flow is less than normal and temperature control is imprecise after a period of usage. It is often due to the poor water which blocks the small filter net. The cleaning method: At first, turn off the main valve. Remove the valve by loosening the nuts and set screws. Remove the water inlet elbows, and unscrew the water inlet connector with Allen key. Take out the small filter net and clear it with brush and vinegar. After completion, rinse it and reassemble all the parts back. At last, check the water flow and temperature control.

IV. Aftercare

Always clean the surface of shower valve to keep it bright. Attention: please do not use inappropriate tools such as sharp brushes, rough sponges, scouring pads or corrosive detergent to clean the shower valve. Please clean the shower valve by wet cloth and soapy water after each time of usage. Then rinse the soap out with clean water and dry with a soft cotton cloth.

V. Faulty Diagnosis

FAULT	POSSIBLE CAUSE
Shower only runs hot or cold after installation	1.Hot and cold supplies have been plumbed the wrong way around. 2.Faulty thermostat.
Shower does not run hot enough	1.Check hot water supply temperature. 2.Blockage in the hot supply.
Hot water in cold supply or vice versa	1.Check and clean non-return valves
Low or no flow	1.Possible blockage in the system. 2.Operating conditions are incorrect. 3.Valve shut off as been activated due to a pressure drop in either the cold or hot supplies.
Leaking when in the off position	1.Debris in cartridge. 2.Faulty cartridge.
Fluctuating flow	1.Dynamic inlet pressure are not balanced. 2.Faulty thermostatic cartridge.