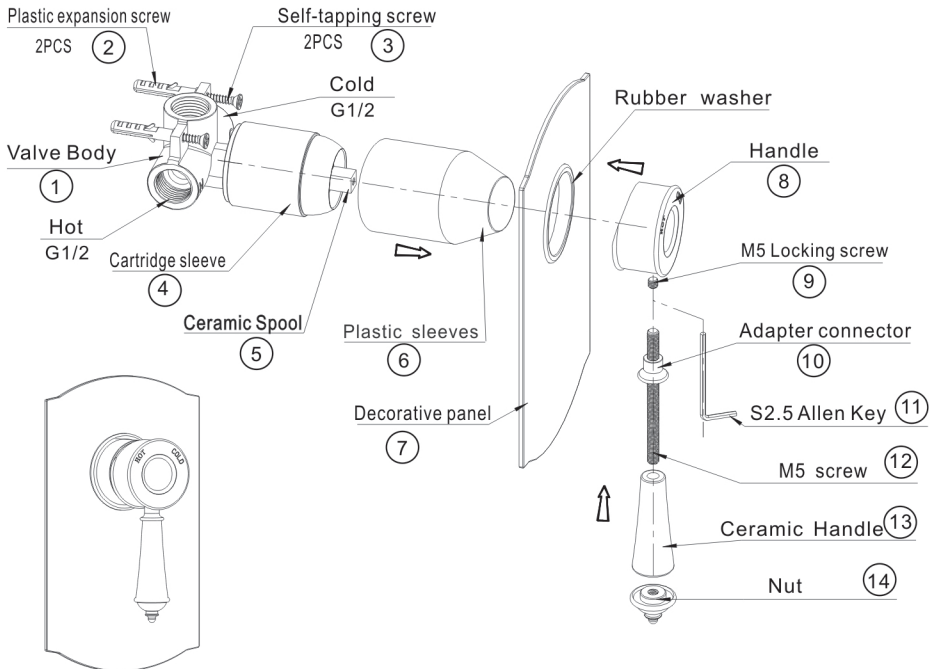


Installation and operation instruction

1. Place two plastic expansion screws (2) on the wall, and then use two SS304 self-tapping screws (3) to fix the valve body (1) on the wall (pay attention to the position and levelness between the valve body, floor and wall).
2. Connect the cold/hot water inlet pipe to the two G1/2 inlet holes of the valve body (1).
The outlet connector connect to shower pipe.
3. Decorate the wall tile surface .
4. Pull out Plastic sleeves (6) , then covered Cartridge sleeve (4) by Decorative panel (7) .
5. Removed 14, 13, 12, 10 one by one from Handle (8) .
6. Handle (8) covered on Ceramic Spool (5) , then use S2.5 Allen Key (11) to lock M5 Locking screw (9) .
7. Wring M5 screw (12) into Handle (8) , then assemble Adapter connector (10) and Ceramic Handle (13) , then fix Ceramic Handle (13) use Nut (14) .
8. check all joints and connections for leaks.



Victorian Plumbing

Diamond House.41, Stephenson Way, Formby Business Park Formby, England. L37 8EG

Tel: 0044 800 862 0878

Website: www.victorianplumbing.co.uk