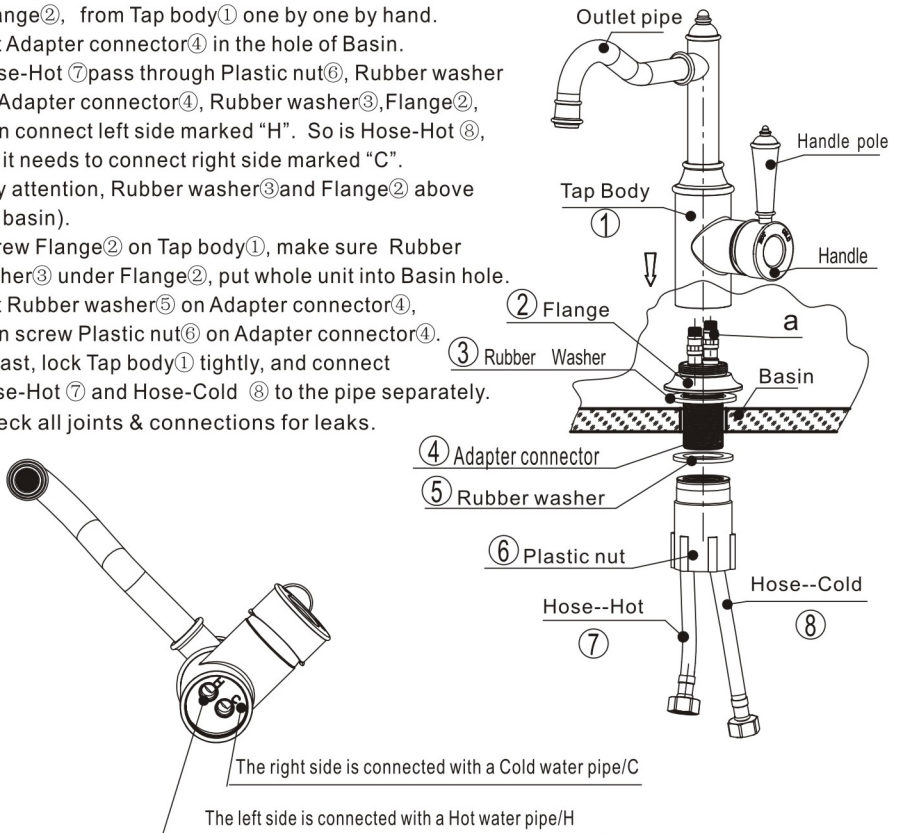


I. Installation Notice:

1. The basin installation hole should be larger than $\phi 32$.
2. Flush pipes to get rid of any debris before installation.
3. After installation, check all the joints to make sure they are firmly connected. Then turn water on and off repeatedly to ensure there is no leaks around the joints, at this stage, the product is ready for normal use.

II. Installing steps:

1. Take apart Plastic nut⑥, Rubber washer⑤, Adapter connector④, Rubber washer③, Flange②, from Tap body① one by one by hand.
2. Put Adapter connector④ in the hole of Basin.
3. Hose-Hot ⑦ pass through Plastic nut⑥, Rubber washer ⑤, Adapter connector④, Rubber washer③, Flange②, then connect left side marked "H". So is Hose-Hot ⑧, but it needs to connect right side marked "C". (Pay attention, Rubber washer③ and Flange② above the basin).
4. Screw Flange② on Tap body①, make sure Rubber washer③ under Flange②, put whole unit into Basin hole.
5. Set Rubber washer⑤ on Adapter connector④, then screw Plastic nut⑥ on Adapter connector④.
6. At last, lock Tap body① tightly, and connect Hose-Hot ⑦ and Hose-Cold ⑧ to the pipe separately.
7. Check all joints & connections for leaks.



Victorian Plumbing

Diamond House.41, Stephenson Way, Formby Business Park Formby, England. L37 8EG

Tel: 0044 800 862 0878

Website: www.victorianplumbing.co.uk