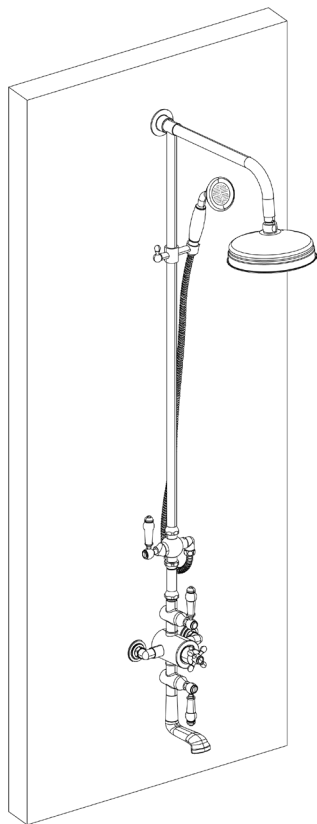


# AREZZO

## Rigid Riser with Shower Head, Handshower and Diverter



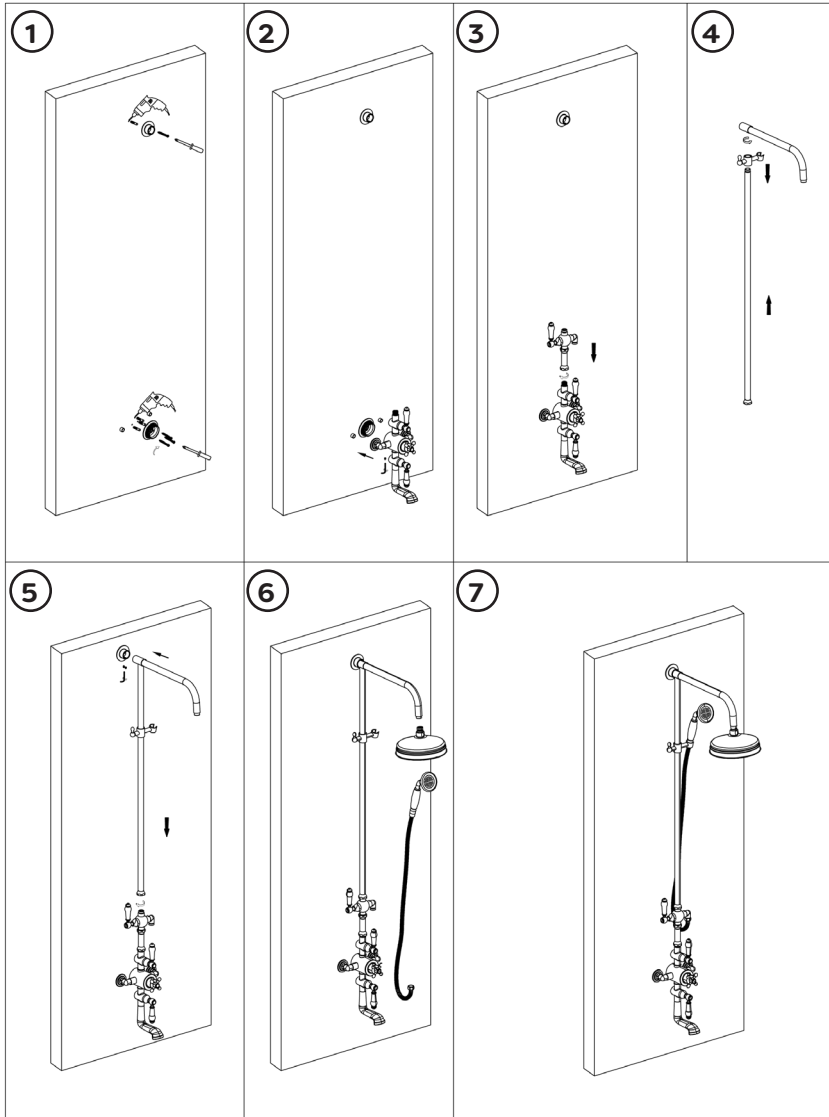
## Fitting Instructions

**We recommend that this product is installed by a qualified tradesperson** and we accept no liability for products fitted incorrectly, and where the correct testing procedures have not been used, resulting in the escape of water.

## Before you begin:

1. Observe all local plumbing and building codes.
2. Unpack the product then read these instructions before proceeding. Inspect the product for damage. If any damage is found, contact our Customer Relations team.

## Installation:



**ATTENTION:** Having first checked all new connections, close all taps except the new mixer and as system starts to refill, check for leaks. Once you have satisfied yourself that there are no leaks. Turn on the hot+cold water supplies.