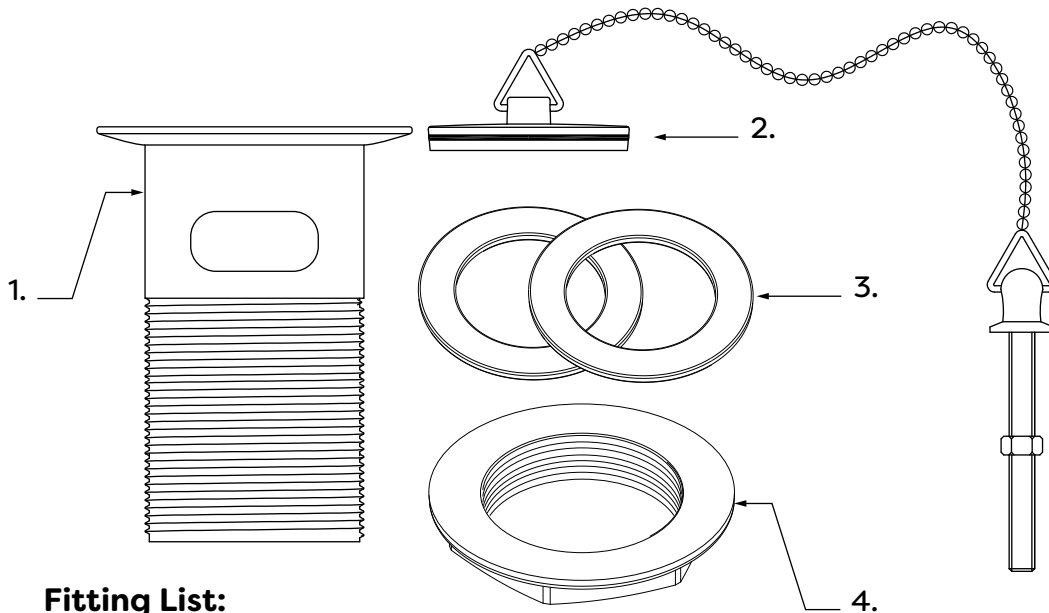


## Slotted/Unslotted Traditional Basin Waste with Plug & Chain

### Before you Begin:

- This instruction shows how to fit the basin waste with plug and chain. Ensure the chosen waste is applicable to your chosen basin and is the correct size for the basin waste hole.
- **Slotted - Designed for use with basins with an overflow.**
- **Unslotted - Designed for use with basins without an overflow.**
- Ensure the incoming mains water supply is switched off prior to commencing the installation.
- Unpack the product then read these instructions before proceeding. Inspect the product for damage. If any damage is found, contact our Customer Relations team.

① \*Make sure that all components are present prior to installation.\*



### Fitting List:

1. Basin Waste (Slotted/Unslotted)
2. Plug & Chain
3. Rubber Seal (X2)
4. Back Nut

**Note:** Diagrams are for illustration purposes only. Your basin Waste may superficially differ from this drawing however the installation guide steps still apply.

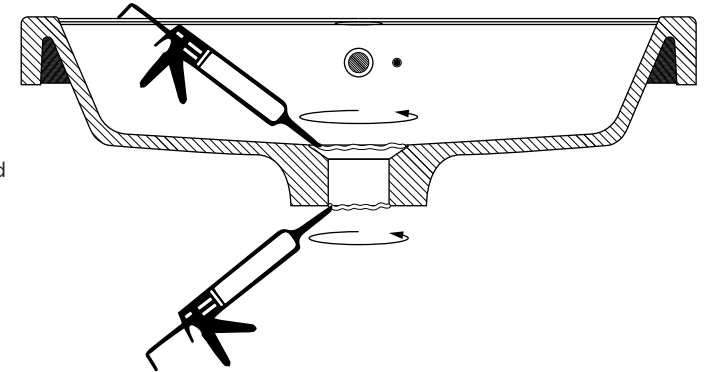
### Recycling and Disposal:

- Please recycle the packaging in accordance with your local government regulations on waste handling and follow the same advice at the end of the products life.

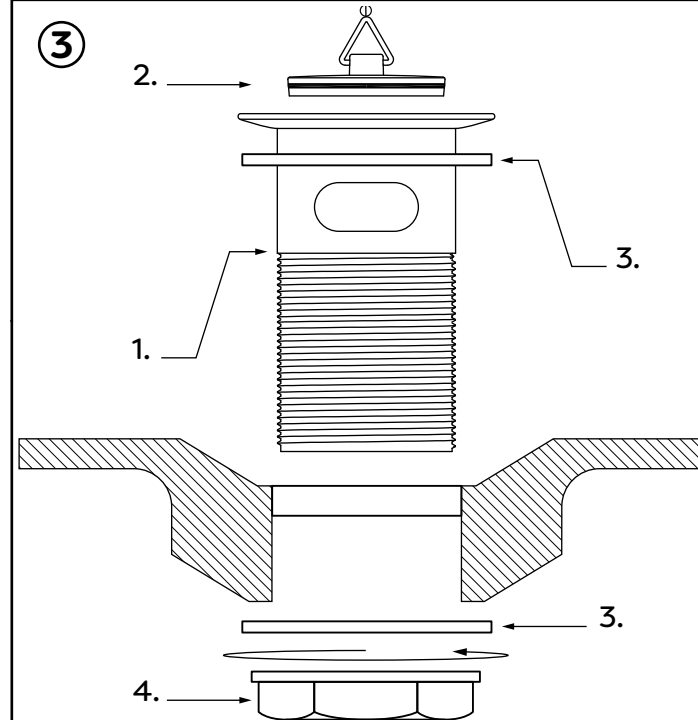
②

### Installation tip:

Pipe a fine bead of good quality silicone sealant around the top and bottom edge of the basin waste hole.



③



Place a 'Rubber Seal' (3) over the threaded tail of the 'Basin Waste' (1). Proceed to feed the 'Basin Waste' through the basin waste hole.

Place the second 'Rubber Seal' (3) and 'Back Nut' (4) over the threaded tail of the 'Basin Waste'. Tighten the 'Back Nut' to secure the Waste into position.

Wipe away any excess silicone with a damp cloth.

Fit the rod of the 'Plug & Chain' (2) to your chosen sink.

**Note:** Test the installation and check all joints/connections for any leaks.

### Cleaning and Aftercare:

- To clean the Basin Waste; open the plug, wipe clean then close the plug.
- **Warning:** Do not use abrasives, scourers, bleach or any type of chemical cleaning solution when cleaning the pop-up waste. It is recommended to use warm soapy water and a clean damp cloth.

For more information visit: [www.victorianplumbing.co.uk](http://www.victorianplumbing.co.uk)