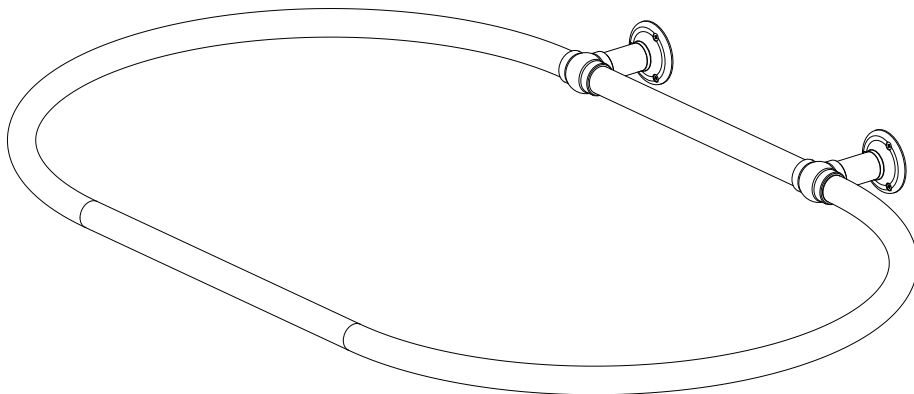


# CHATSWORTH

## Oval Wall Mounted Shower Curtain Rail

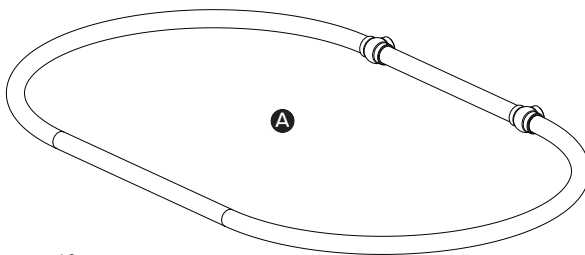


### Fitting Instructions

Please follow them carefully and  
leave this manual with end user

#### Items Included:

- A. Curtain Rail
- B. Rawl Plugs (x6)
- C. Screws (x6)
- D. Securing Brackets (x2)



#### Tools Required (Not included):

\*Ensure the appropriate PPE is used during installation\*



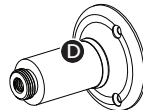
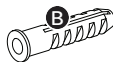
Power Drill



Spirit level



Screwdriver



\*Diagrams are for illustration purposes only. Your Shower  
Curtain Rail may superficially differ from this drawing  
however the installation guide steps still apply.\*

#### Recycling and Disposal:

Please recycle the packaging in accordance with your local government regulations on waste handling and follow the same advice at the end of the products life.

## Before you begin:

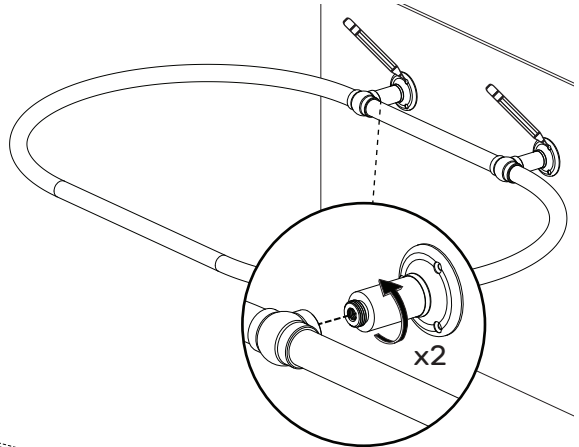
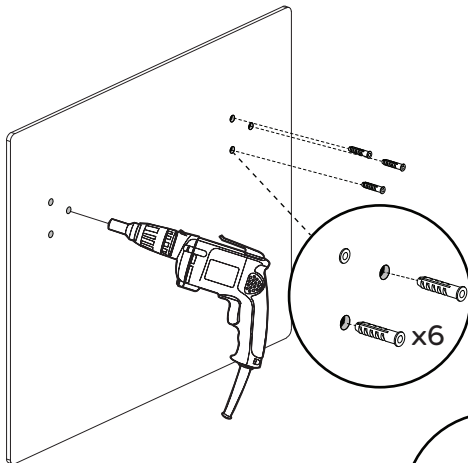
1. **We recommend that this product is installed by a qualified tradesperson.** Victorian Plumbing Ltd. accept no liability for products incorrectly installed or any damage to the floor, walls, plumbing, curtain rail, or personal injury during installation.
2. **Check the chosen wall space for any pipes/cables prior to drilling.**
3. Observe all local building codes & regulations.
4. **Ensure the shower curtain rail is securely fixed to the wall.**
5. Unpack the product then read these instructions before proceeding. Inspect the product for damage. If any damage is found, contact our Customer Relations team.

## Installation:

### Step 1:

Screw the 'brackets' into the 'Curtain Rail'. Position the curtain rail up to your chosen wall at the desired height, then mark the fixing points on the brackets to the wall.

Ensure the markings are level using a spirit level.



### Step 2:

Using an appropriate sized drill bit, carefully drill the holes in the wall, then insert the rawl plugs.



**Warning:**  
Check the chosen wall space for any pipes/cables prior to drilling!

### Step 3:

Position the 'Curtain Rail' over the rawl plugs in the wall. Secure the curtain rail into place using the screws provided, tighten with a screwdriver.

Ensure the curtain is level using a spirit level.

