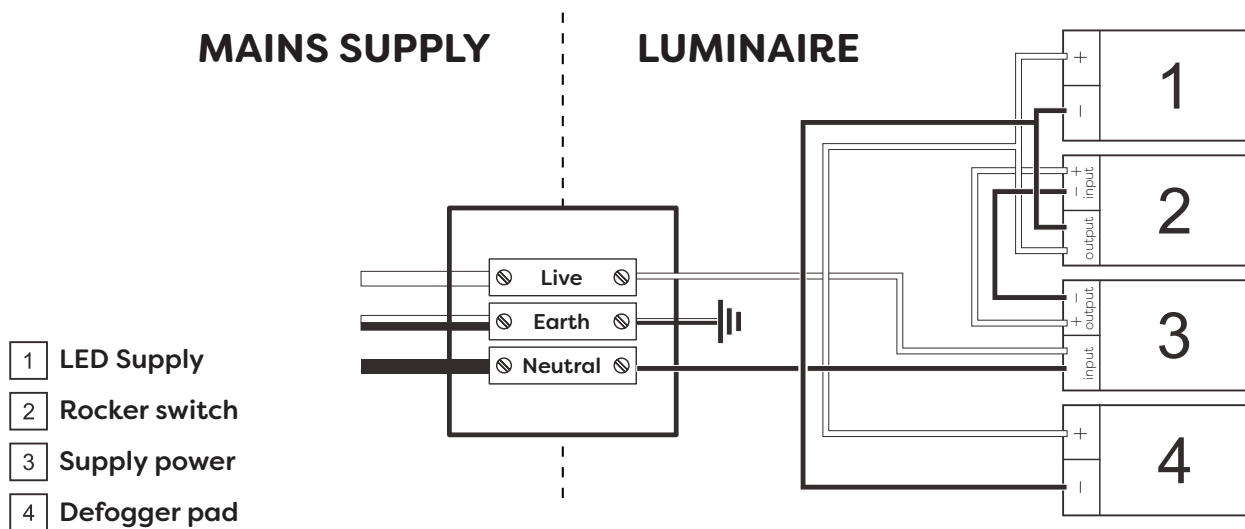


# Technical Details

## Schematic Diagram

**YW-MIRO01**

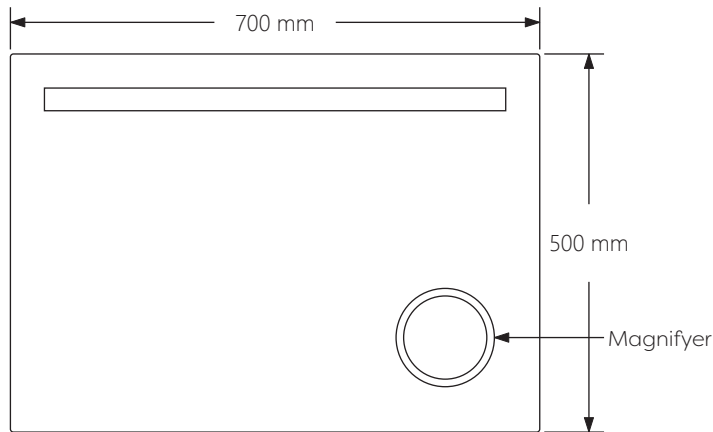


<b>Mirror Weight (kg)</b>	<b>5.60kg</b>
<b>Mirror+Box Weight (kg)</b>	<b>7.40kg</b>
<b>Light Source</b>	<b>LED</b>
<b>Light source average span</b>	<b>50K HOURS</b>
<b>Total Rated Wattage (W)</b>	<b>20W</b>
<b>Lumens (Lm)</b>	<b>921</b>
<b>Kelvins (K)</b>	<b>6000K</b>

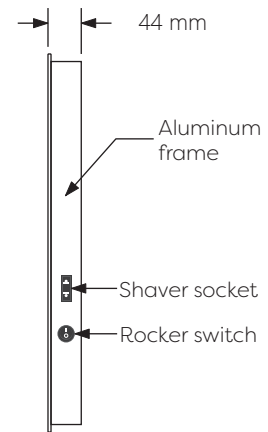
<b>FEATURES</b>
<b>ROCKER SWITCH</b>
<b>DEMISTER</b>
<b>SHAVER SOCKET</b>
<b>MAGNIFYER</b>

# Technical Details

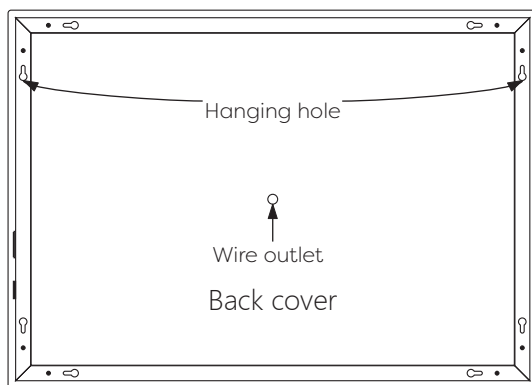
## Data Reference



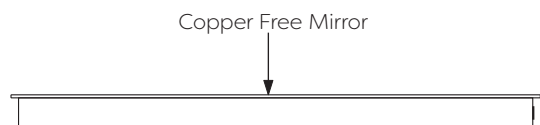
Front view



Side view



Back view



Bottom view