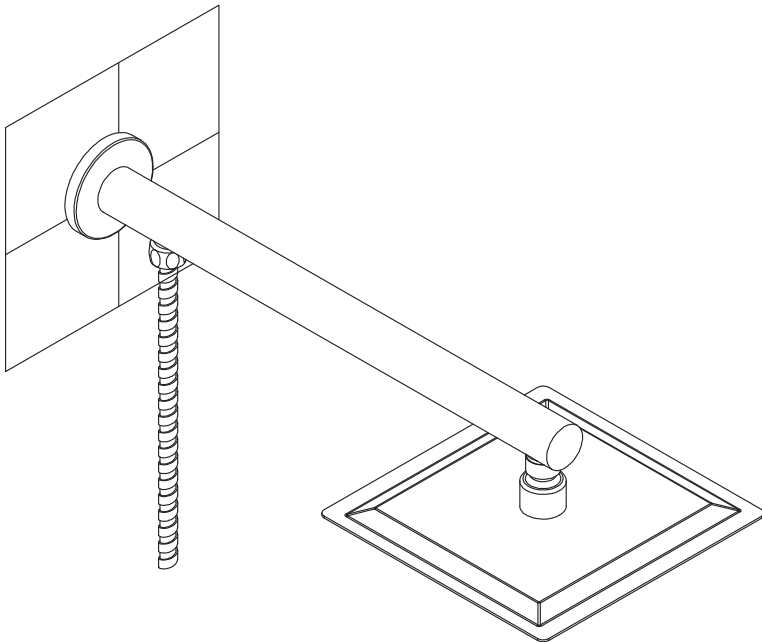


**Square 200m Rainfall
Shower Head**



Fitting Instructions

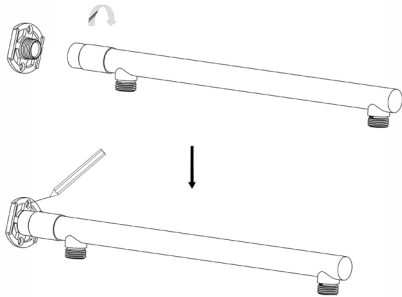
Please follow them carefully and
leave this manual with end user

Installation Guide

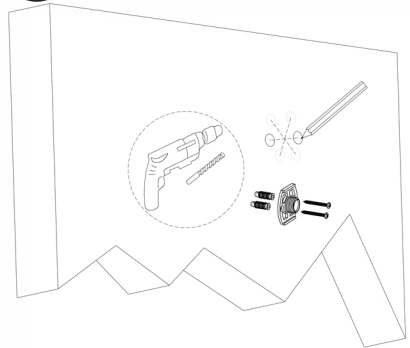
Before installation, please read this guide carefully.

1. We recommend that this product is installed by a qualified accredited tradesperson, Victorian Plumbing Ltd. accept no liability for products incorrectly installed, or where the correct testing procedures have not been adhered to, thus resulting in the escape of water and consequential damage.
2. Ensure the incoming mains water supply is switched off prior to commencing the installation.
3. Observe all local plumbing and building codes & regulations.
4. Carefully inspect the product for damage. If any damage is found, immediately contact our Customer Relations Team.

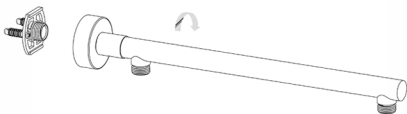
1



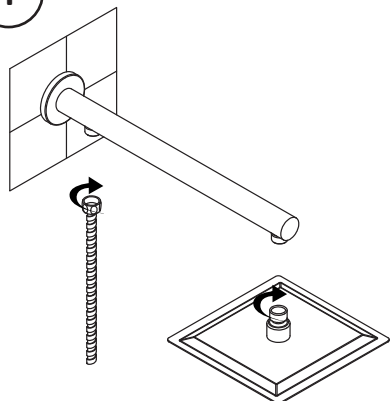
2



3



4



Ensure that the shower head and arm is securely fixed to the wall before use.