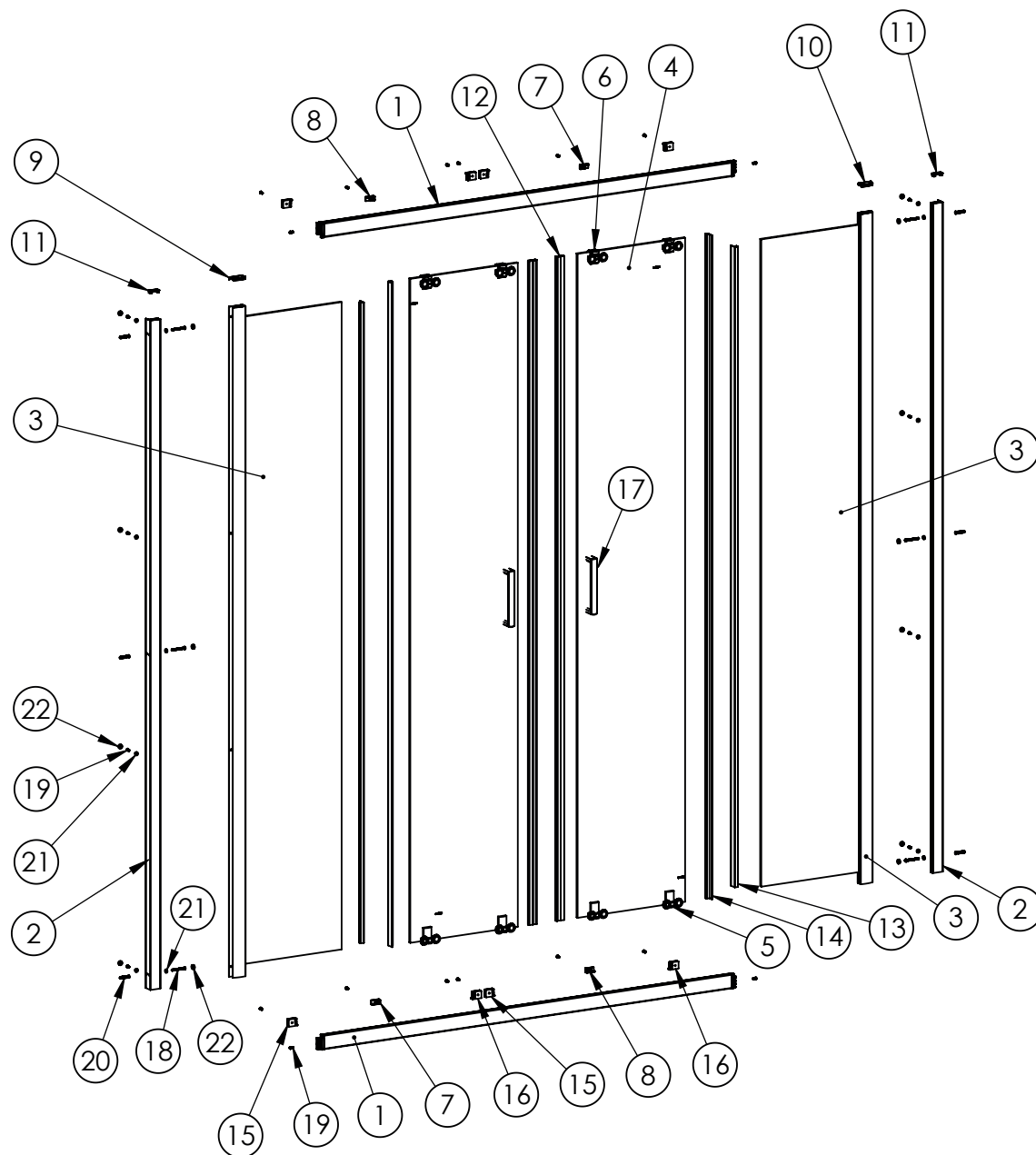


SLIDER DOUBLE ENTRY EASY FIT ENCLOSURE INSTRUCTIONS



UNPACK THE BOX AND ENSURE ALL COMPONENTS ARE PRESENT.

NO REFUNDS OR REFITTING COST WILL BE GIVEN IF INCOMPLETE OR DAMAGED GOODS ARE FITTED.

THE TOUGHENED SAFETY GLASS SHOULD BE HANDLED WITH CARE AS IMPACTS WILL DAMAGE THE GLASS OR ENCLOSURE.

FIT THE SHOWER TRAY AS PER THE MANUFACTURERS INSTRUCTIONS.

NOTE: IF THE TRAY ISN'T TRUE AND LEVEL, IT MUST BE RECTIFIED BEFORE SILICONING AROUND THE TOP EDGE OF THE TRAY WHERE IT MEETS THE TILES. ALLOW THE SILICONE TO DRY BEFORE FITTING THE ENCLOSURE.

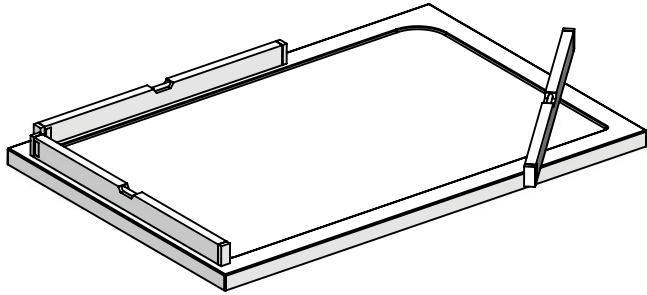
THE ENCLOSURE INSTALLATION IS RECOMMENDED AS A TWO MAN OPERATION.

TOOLS REQUIRED

POWER DRILL - 3mm DRILL BIT - 6mm MASONRY DRILL BIT
 CROSS HEAD SCREW DRIVER - TAPE MEASURE - PENCIL
 SILICONE GUN WITH SANITARY GRADE SEALANT - SPIRIT LEVEL
 RUBBER HEAD Mallet

ITEM	DESCRIPTION	Notes	QTY
1	TOP / BOTTOM TRACK		2
2	WALL PROFILE		2
3	FIXED PANEL SUB ASSEMBLY		2
4	DOOR GLASS		2
5	BOTTOM ROLLER (SPRING LOADED)		4
6	TOP ROLLER (SCREW ADJUSTED)		4
7	GLASS CLIP RH		2
8	GLASS CLIP LH		2
9	WALL PROFILE TOP CAP LH		1
10	WALL PROFILE TOP CAP RH		1
11	RECTANGULAR CAP		2
12	DOOR MAGNET		2
13	VERTICAL SEAL FIXED GLASS		2
14	VERTICAL SEAL DOOR GLASS		2
15	BUMP STOP LH		4
16	BUMP STOP RH		4
17	HANDLE SUB ASSEMBLY		2
18	SCREW DIA 3.9mm x 40mm PAN HEAD	FOR FIXING TO WALL	6
19	SCREW DIA 3.9mm x 10mm PAN HEAD		24
20	RAWLPLUG		6
21	SCREW CUP		14
22	SCREW CHROME CAP		14

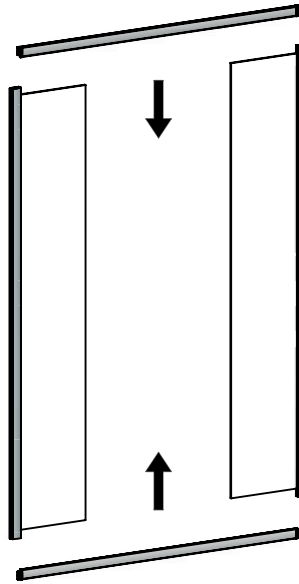
1



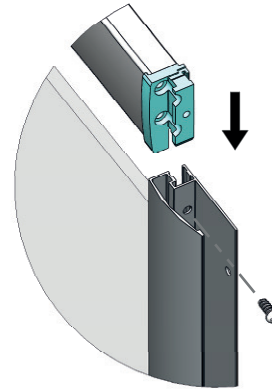
ENSURE THE TRAY IS LEVEL IN ALL PLANES.

2

SLIDE THE TRACKS INTO THE FIXED PANEL SUB ASSEMBLY'S.

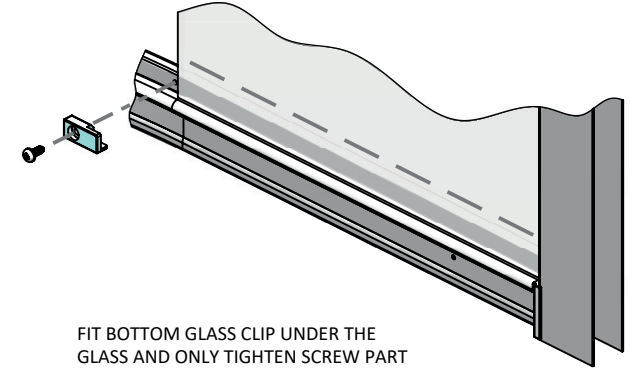


ONCE PARTIALLY ENGAGED, LIGHTLY TAP THE TRACK UNTIL FLUSH WITH THE TOP OF THE VERTICAL PROFILE.



WHEN THE TRACKS ARE IN POSITION, FIT ITEM 19 THRO' THE ALUMINIUM PROFILE INTO THE TRACK END MOULDINGS (TO SUCURE THEM IN PLACE).

3

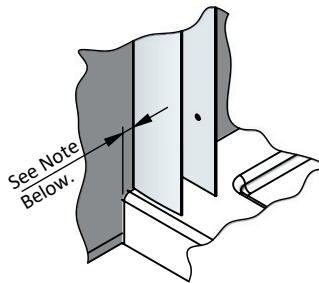
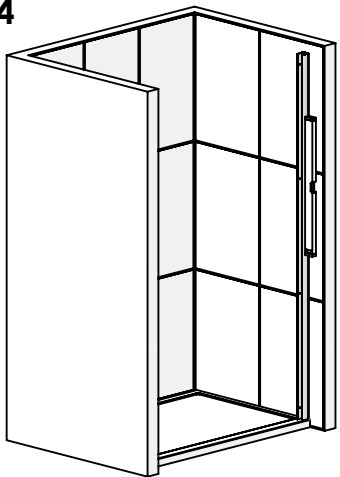


FIT BOTTOM GLASS CLIP UNDER THE GLASS AND ONLY TIGHTEN SCREW PART WAY. FIT THE TOP GLASS CLIP AND THEN TIGHTEN THE SCREWS (ITEM 19).

NOTE : THE FIXED GLASS PANELS REQUIRE A SILICONE BEAD ON THE OUTSIDE WHERE THEY ABUT THE BOTTOM TRACK.

REPEAT FOR OPPOSITE SIDE.

4



OFFER THE FRAME ONTO THE TRAY FIRST. ENSURE BOTH WALL PROFILES WILL REACH THE WALL.

SOME APPLICATIONS MAY REQUIRE MORE EXTENSION THAN THE ENCLOSURE WAS DESIGNED TO DO. IF THIS IS THE CASE YOU CAN PURCHASE EXTENSION PROFILES FROM YOUR SUPPLIER THAT WILL GIVE AN EXTRA 20mm PER SIDE.

IN A TYPICAL INSTALLATION

SET ONE WALL PROFILE 18mm BACK FROM THE FACE OF THE TRAY. MAKE SURE IT IS TRUE WITH A SPIRIT LEVEL, THEN MARK THROUGH THE FIXING HOLES WITH A PENCIL. REMOVE PROFILE, THEN DRILL AND PLUG THE WALL (ITEM 20). NOW FIX THE WALL PROFILE IN PLACE USING ITEMS 18, 21* & 22*

** IF INSTALLING WITH A SIDE PANEL PLEASE REFER TO THE SIDE PANEL INSTRUCTION WITHIN SIDE PANEL BOX.

5

SLIDE THE OPPOSITE WALL PROFILE INTO THE END OF THE FRAME AND SLIDE THE ASSEMBLY INTO THE FIXED WALL PROFILE (AT A SLIGHT ANGLE, AS SHOWN).

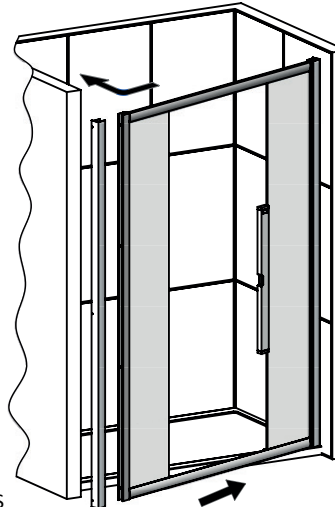
SWING THE ENCLOSURE INTO THE ALCOVE MAKING SURE THE BOTTOM TRACK IS NOW PARALLEL WITH THE FRONT FACE OF THE TRAY.

SLIDE THE OPPOSITE WALL PROFILE OUT TO MEET THE WALL. WHEN THE OPPOSITE WALL PROFILE IS LEVEL MARK THROUGH THE PRE-DRILLED HOLES WHERE IT WILL BE FIXED TO THE WALL. REMOVE THE ENCLOSURE AND DRILL / PLUG THE WALL WHERE MARKED. (USING ITEM 20).

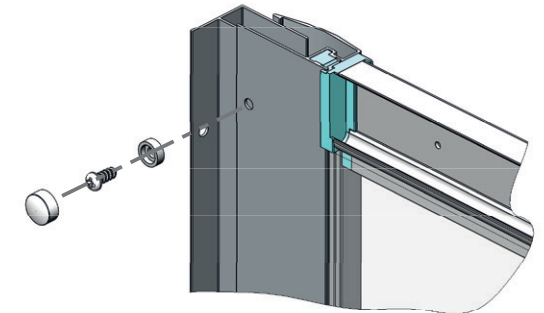
NOW MOVE THE ENCLOSURE BACK INTO POSITION AND FIX THE OPPOSITE WALL PROFILE TO THE WALL USING ITEMS 18, 21 & 22.

CENTRALISE THE FRAME WITHIN THE WALL PROFILES UNTIL THERE IS AN EQUAL AMOUNT OF FRAME IN EACH WALL PROFILE. ENSURE THE FRAME IS TRUE AND SQUARE* ON BOTH SIDES BEFORE FIXING IN PLACE.

*USE SPIRIT LEVEL.



6

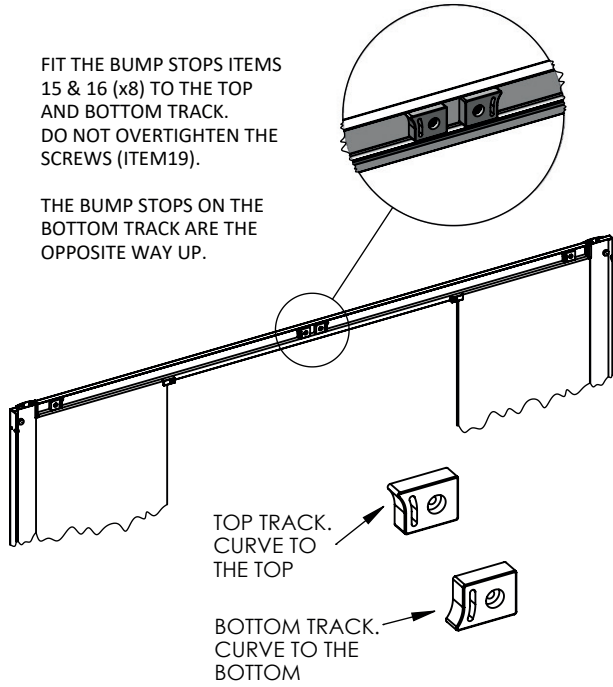


WHEN THE FRAME IS READY TO BE FIXED, DRILL THROUGH THE FRAME HOLES WITH A 3mm DRILL. (ENSURE YOU ONLY DRILL THROUGH ONE WALL THICKNESS OF THE WALL PROFILE). THEN FIX THE FRAME WITH ITEMS 19, 21 & 22

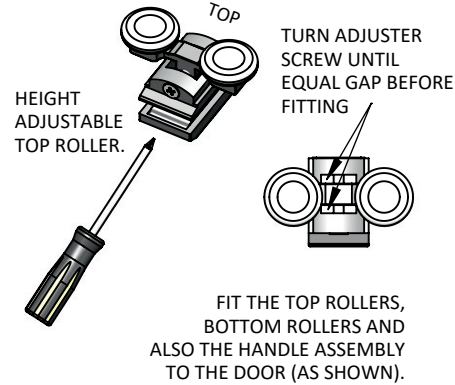
7

FIT THE BUMP STOPS ITEMS 15 & 16 (x8) TO THE TOP AND BOTTOM TRACK. DO NOT OVERTIGHTEN THE SCREWS (ITEM19).

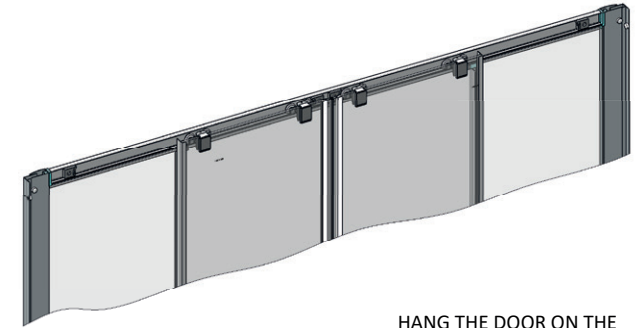
THE BUMP STOPS ON THE BOTTOM TRACK ARE THE OPPOSITE WAY UP.



8



9



HANG THE DOOR ON THE TOP TRACK, ENSURING THE WHEELS ARE LOCATED IN THE PROFILE CHANNEL. THEN FROM OUTSIDE PUSH DOWN ON THE BOTTOM ROLLERS TO LOCATE THEM INTO THE BOTTOM TRACK CHANNEL.

WHEN BOTH DOORS ARE FITTED TURN THE ADJUSTER SCREW ON THE TOP ROLLERS TO LEVEL THE DOORS AND MAKE THEM TRUE.

NOTE: WHEN THE DOOR HITS THE TOP BUMP STOP IT SHOULD HIT THE BOTTOM BUMP STOP AS THE SAME TIME.

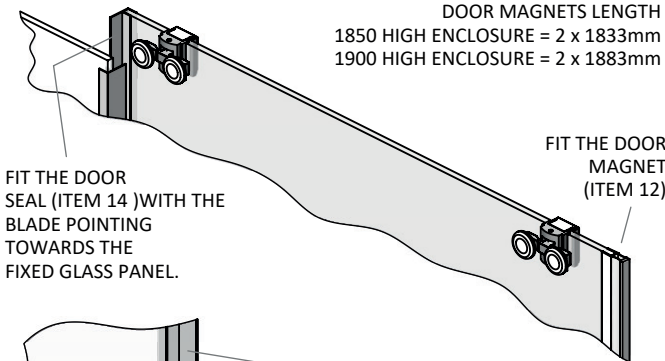
10

VERTICAL PVC SEALS LENGTH:

1850 HIGH ENCLOSURE = 2 x 1833mm (DOOR) & 2 x 1768mm (FIXED GLASS)

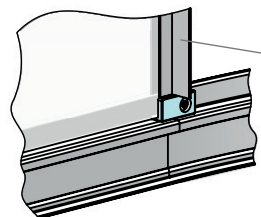
1900 HIGH ENCLOSURE = 2 x 1883mm (DOOR) & 2 x 1818mm (FIXED GLASS)

DOOR MAGNETS LENGTH
1850 HIGH ENCLOSURE = 2 x 1833mm
1900 HIGH ENCLOSURE = 2 x 1883mm



FIT THE DOOR SEAL (ITEM 14) WITH THE BLADE POINTING TOWARDS THE FIXED GLASS PANEL.

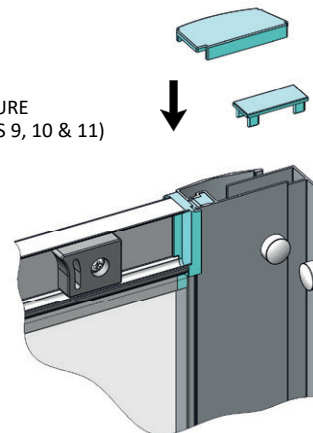
FIT THE DOOR MAGNET (ITEM 12)

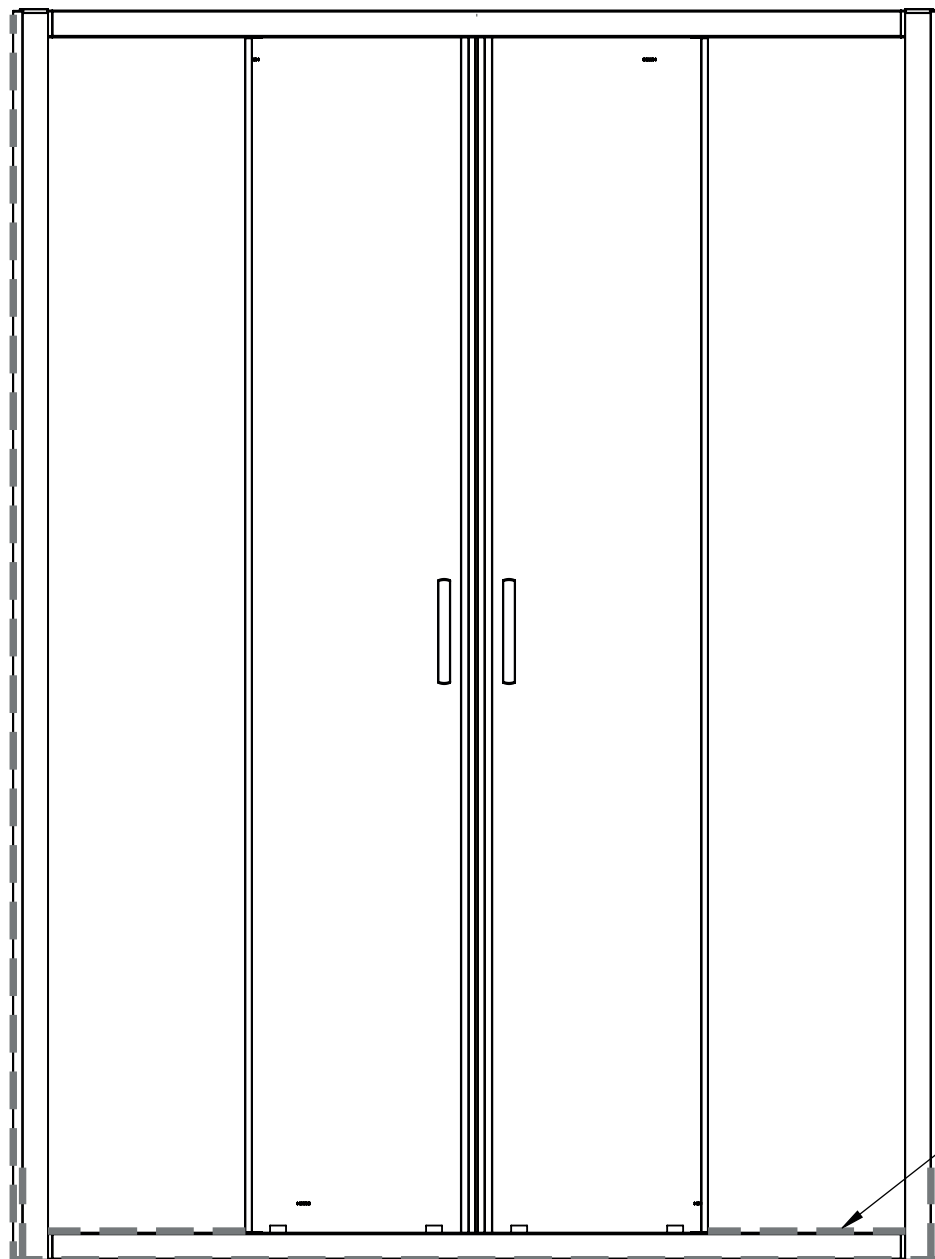


FIT THE 'FIXED GLASS' SEAL (ITEM 13) WITH THE BLADE POINTING TOWARDS THE DOOR.

11

FIT THE ENCLOSURE TOP CAPS (ITEMS 9, 10 & 11)





EXTERNALLY SILICONE SEAL THE WALL PROFILES WHERE THEY MEET THE WALL, THE BOTTOM PROFILE WHERE IT MEETS THE TRAY AND ALONG THE BOTTOM OF THE FIXED GLASS PANELS (OUTSIDE) WHERE THEY ABUT THE BOTTOM TRACK. ALL IN A CONTINUOUS BEAD.

ALSO SILICONE THE PLASTIC MOULDINGS WHERE INDICATED AND 150mm HIGH AS SHOWN IN DETAILED VIEW BELOW.

DO NOT SILICONE INSIDE THE ENCLOSURE.

ALLOW THE SILICONE AT LEAST 24 HOURS TO FULLY CURE.

AFTERCARE - ENSURE YOU CLEAN YOUR PRODUCT USING A MILD DETERGENT DILUTED IN WATER, REMOVING ANY RESIDUE WITH A SOFT DAMP CLOTH.

MAINTENANCE - ENSURE MOVING PARTS ARE FREE FROM ANY DEBRIS OR SOAP BUILD UP.

SHOWER ENCLOSURE WITH WHEELS - THE WHEELS MUST ROTATE FREELY AND THE SPRING LOADED MECHANISM IN THE BOTTOM WHEELS MUST OPERATE WITHOUT INTERFERENCE.

TROUBLE SHOOTING GUIDE

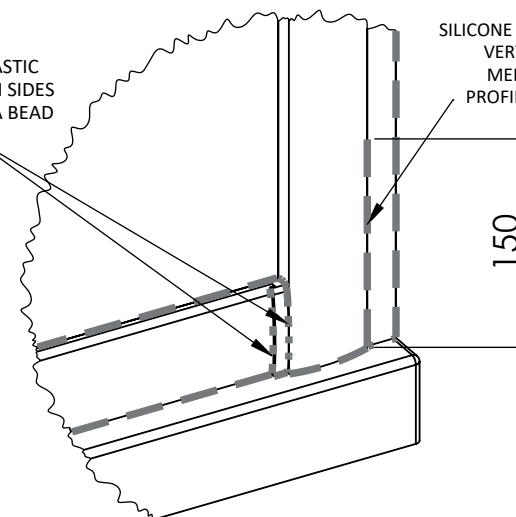
1. IS THE TRAY LEVEL? (SEE STEP 1).
2. ARE THE TOP AND BOTTOM TRACKS FULLY INSERTED AND FLUSH WITH THE VERTICAL PROFILES? (SEE STEP 2).
3. ARE THE RETAINER SCREWS FITTED TO LOCK THE TRACKS IN PLACE? (SEE STEP 2).
4. HAVE YOU COMPLETED STEP 4 CORRECTLY?
5. ARE THE WALL PROFILES PLUMB VERTICALLY?
6. DO THE FINISHED TRAY MEASUREMENTS COMPLY WITH THE ADJUSTMENTS LISTED IN THE PRODUCT SPECIFICATION?
7. WHEN CONSIDERING THE LENGTH OF THE TOP TRACK ALSO CONSIDER THE VERTICAL PROFILES THAT ARE SECURED TO IT WHICH INCREASE ITS LENGTH.
8. ONCE INSTALLED LEAVE THE ENCLOSURE DOORS IN THE CLOSED POSITION WHEN NOT IN USE AS MAGNET STRENGTH WILL INCREASE.

SILICONE SEAL WHERE THE FIXED PANEL GLASS MEETS THE TRACK

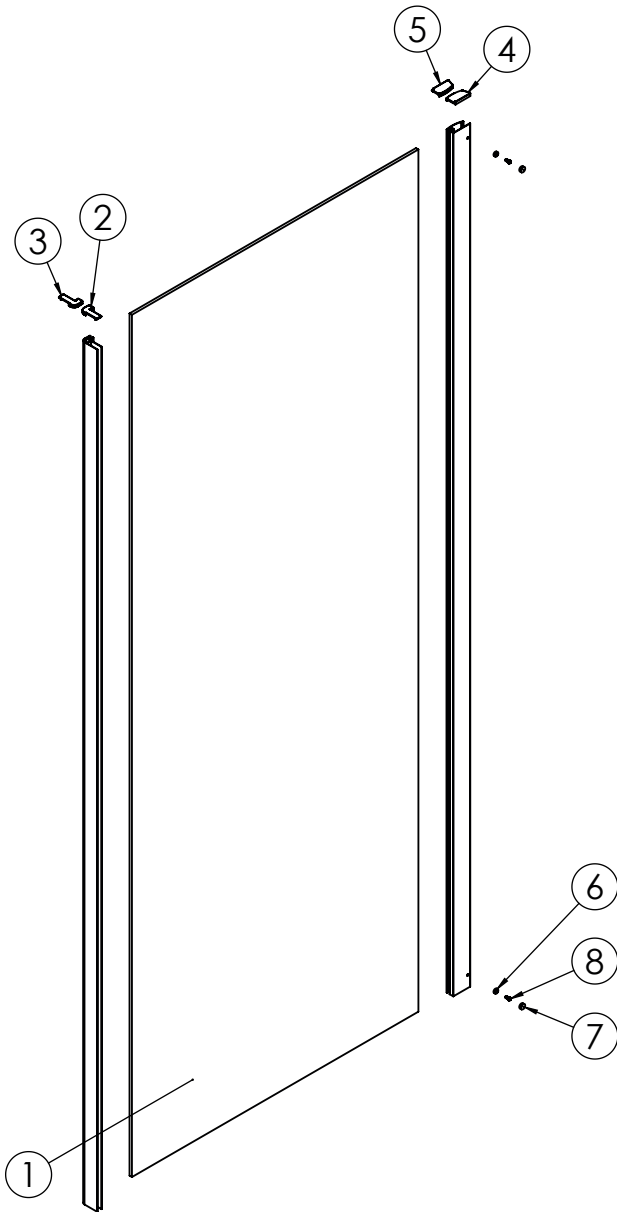
SILICONE THE PLASTIC MOULDING BOTH SIDES WITH AS SMALL A BEAD AS POSSIBLE.

SILICONE WHERE THE FRAME VERTICAL PROFILE MEETS THE WALL PROFILE - 150MM HIGH

150



SIDE PANEL INSTRUCTION



WE RECOMMEND THAT THE INSTALLATION OF THIS PRODUCT IS CARRIED OUT BY A COMPETENT PROFESSIONAL.

UNPACK THE BOX AND ENSURE ALL COMPONENTS ARE PRESENT.

NO REFUNDS OR REFITTING COST WILL BE GIVEN IF INCOMPLETE OR DAMAGED GOODS ARE FITTED.

THE TOUGHENED SAFETY GLASS SHOULD BE HANDLED WITH CARE AS IMPACTS WILL DAMAGE THE GLASS OR ENCLOSURE.

FIT THE SHOWER TRAY AS PER THE MANUFACTURER'S INSTRUCTIONS.

NOTE: IF THE TRAY ISN'T TRUE AND LEVEL, IT MUST BE RECTIFIED BEFORE SILICONING AROUND THE TOP EDGE OF THE TRAY WHERE IT MEETS THE TILES. ALLOW THE SILICONE TO DRY BEFORE FITTING THE ENCLOSURE.

THE ENCLOSURE INSTALLATION IS RECOMMENDED AS A TWO PERSON OPERATION.

TOOLS REQUIRED:

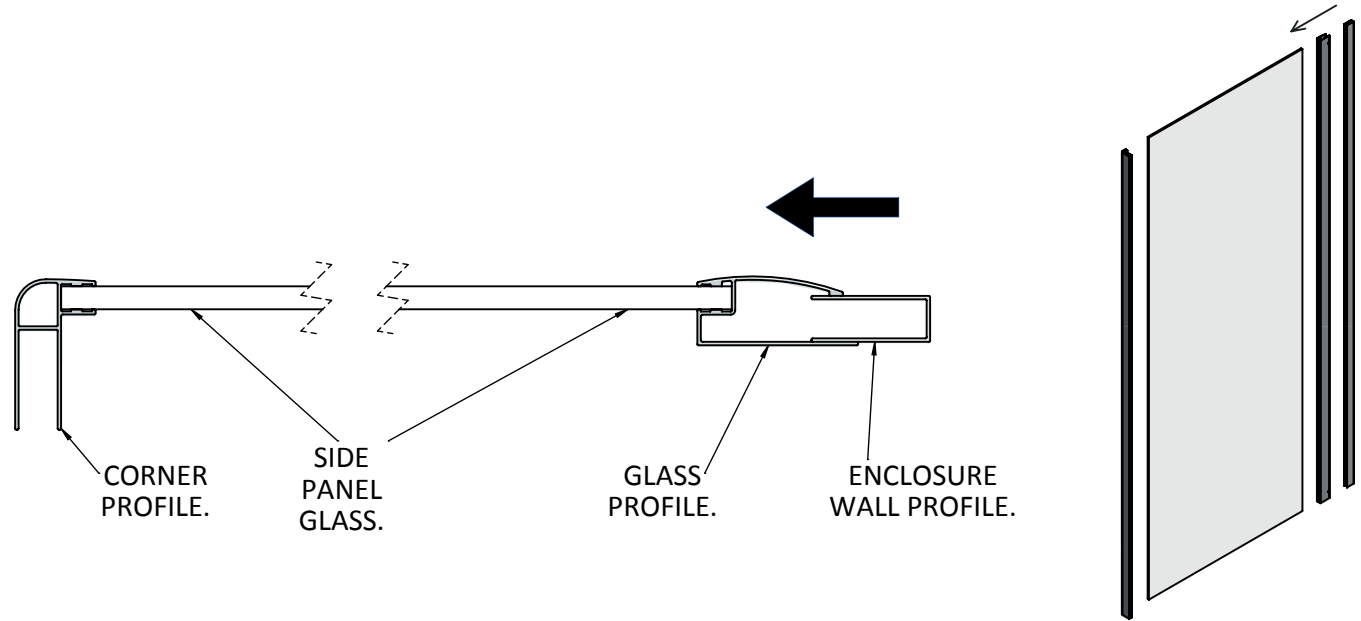
POWER DRILL - 3mm DRILL BIT - 6mm MASONRY DRILL BIT - CROSS HEAD SCREW DRIVER - TAPE MEASURE - PENCIL - SILICONE GUN WITH SANITARY GRADE SEALANT - SPIRIT LEVEL.

ITEM NO.	DESCRIPTION	Notes	QTY
1	SIDE PANEL ASSEMBLY		1
2	CORNER POST CAP LH	CHROME PLATED ABS	1
3	CORNER POST CAP RH	CHROME PLATED ABS	1
4	GLASS PROFILE CAP LH	CHROME PLATED ABS	1
5	GLASS PROFILE CAP RH	CHROME PLATED ABS	1
6	SCREW CUP		2
7	SCREW CUP COVER		2
8	3.9 x 10mm PAN HD SELF TAPPER ST.STL (SMALL HEAD)		2

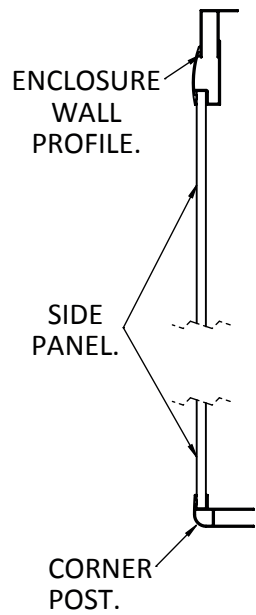
1

DETERMINE THE SIDE YOU WISH TO FIT THE SIDE PANEL AND ROTATE TO SUIT.

USE THE WALL PROFILE FROM ENCLOSURE AND PARTIALLY INSERT INTO THE GLASS PROFILE.

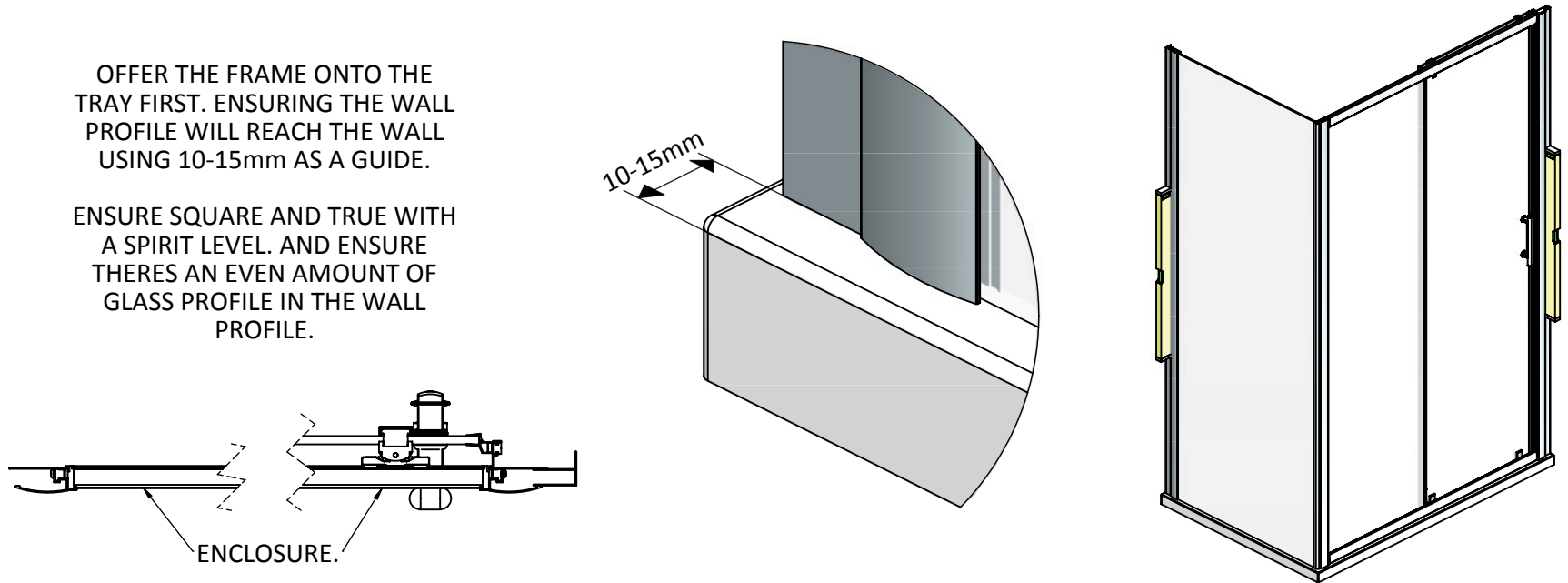


2

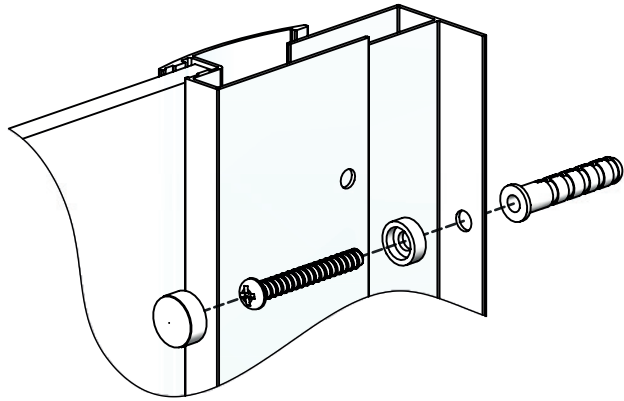


OFFER THE FRAME ONTO THE TRAY FIRST. ENSURING THE WALL PROFILE WILL REACH THE WALL USING 10-15mm AS A GUIDE.

ENSURE SQUARE AND TRUE WITH A SPIRIT LEVEL. AND ENSURE THERES AN EVEN AMOUNT OF GLASS PROFILE IN THE WALL PROFILE.



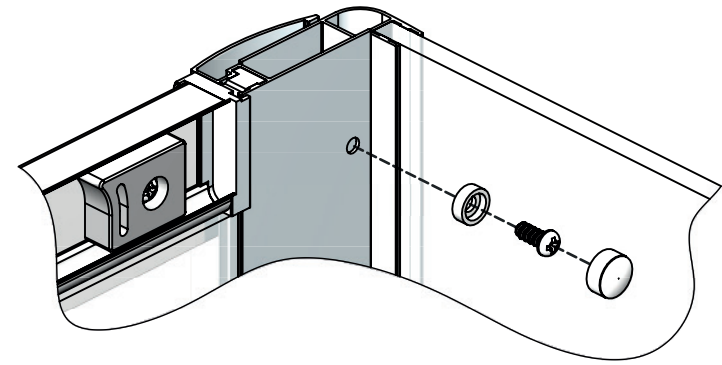
3



ONCE SIDE PANEL IS SQUARE AND TRUE, MARK THE POSITION OF THE SIDE PANEL'S WALL PROFILE ON THE WALL THROUGH THE WALL PROFILE FIXING HOLES USING A PENCIL.

DRILL AND PLUG THE WALL USING THE WALL PROFILE FIXINGS FROM THE ENCLOSURE.

4



ENSURE ALL IS TRUE AND SQUARE WITH A SPIRIT LEVEL BEFORE FIXING.

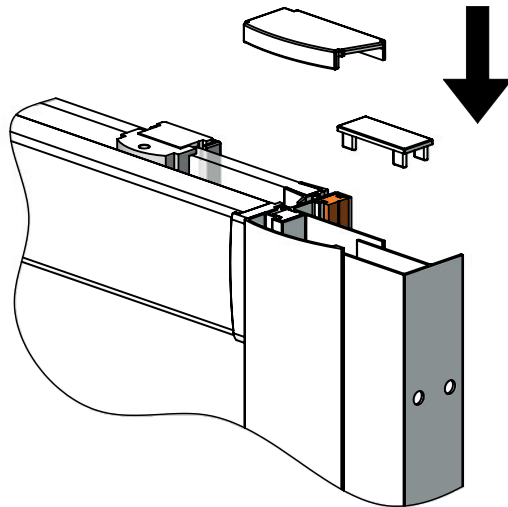
WHEN THE SIDE PANEL IS READY TO BE FIXED, DRILL THROUGH THE HOLES IN THE ENCLOSURE'S GLASS PROFILE AND SIDE PANEL'S GLASS PROFILE WITH A 3mm DRILL BIT.

MAKE SURE YOU ONLY DRILL THROUGH ONE WALL THICKNESS.

FIX IN PLACE USING ITEMS 6, 7 & 8.

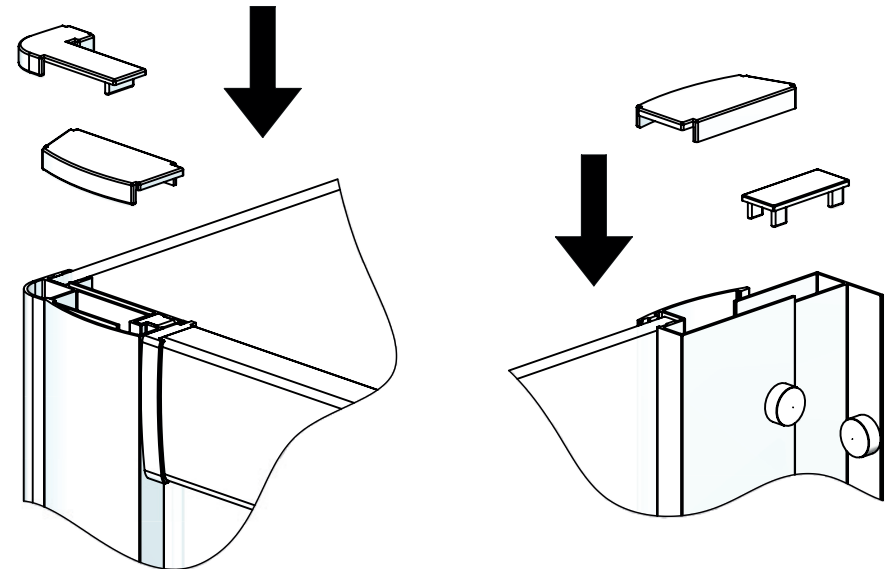
DON'T OVER TIGHTEN SCREWS.

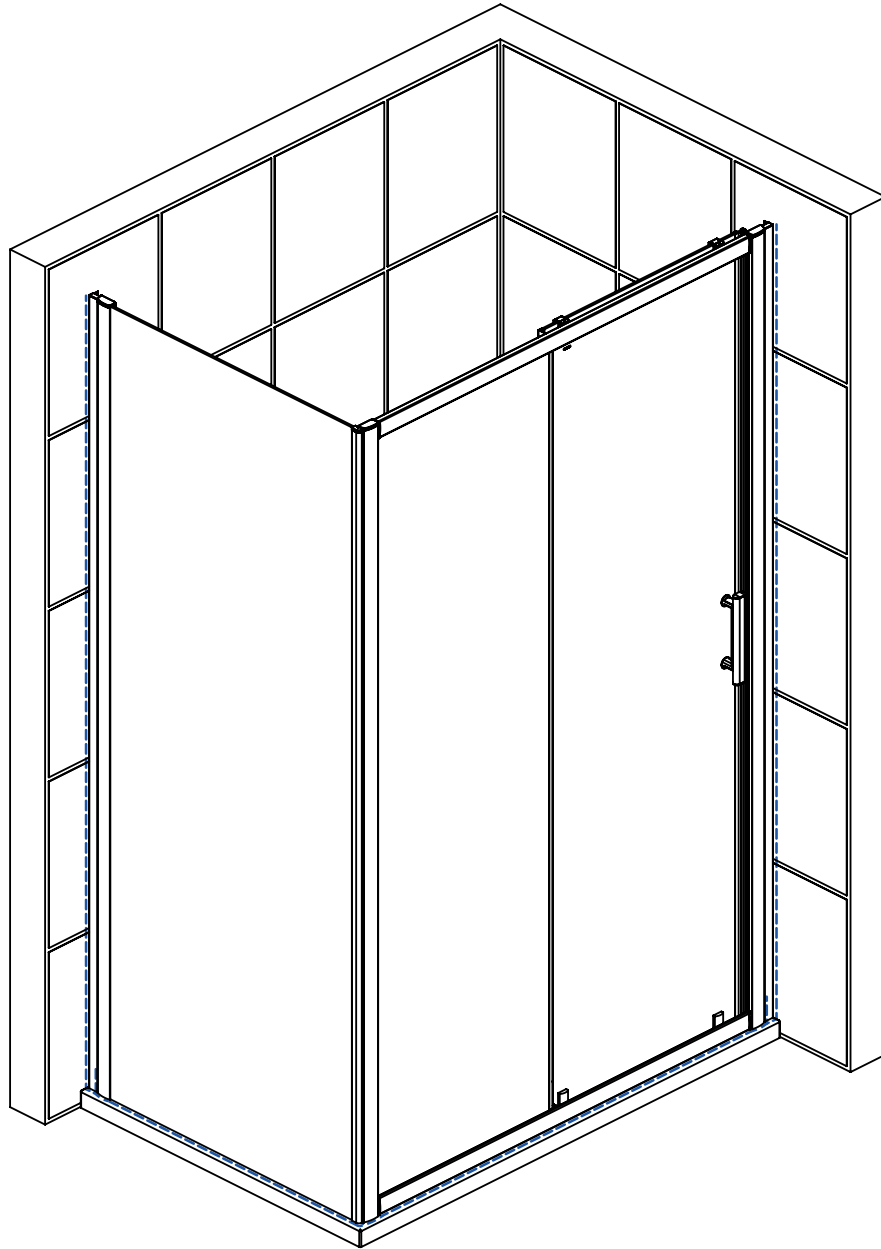
5



NOW FIT THE ENCLOSURE'S CAPS (SHOWN LEFT), THE CORNER PROFILE AND SIDE PANEL CAPS (SHOWN RIGHT).

CHOOSE APPROPRIATE CAPS FOR THE SIDE YOU HAVE FITTED THE SIDE PANEL TOO.





EXTERNALLY SILICONE SEAL THE WALL PROFILES WHERE THEY MEET THE WALL AND THE ALONG THE BOTTOM PROFILE AND GLASS SIDE PANEL WHERE IT MEETS THE TRAY. ALL IN A CONTINUOUS BEAD.

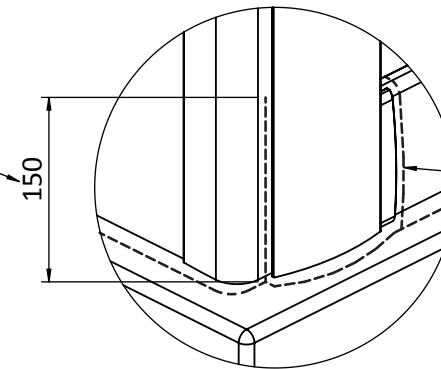
ALSO SILICONE SEAL THE PLASTIC MOULDINGS AND 150mm HIGH AS SHOWN IN DETAILED VIEWS BELOW.

ALLOW THE SILICONE ATLEAST 24 HOURS TO FULLY CURE.

AFTERCARE: ENSURE YOU CLEAN YOUR PRODUCT USING A MILD DETERGENT DILUTED IN WATER, REMOVING ANY RESIDUE WITH A SOFT DAMP CLOTH.

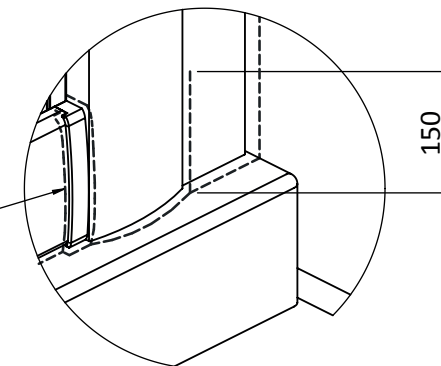
MAINTENANCE: ENSURE MOVING PARTS ARE FREE FROM ANY DEBRIS OR SOAP BUILD UP.

WHERE THE FRAME VERTICAL PROFILE MEETS THE CORNER PROFILE.



SILICONE THE PLASTIC MOULDING WITH AS SMALL A BEAD AS POSSIBLE.

SILICONE THE PLASTIC MOULDING WITH AS SMALL A BEAD AS POSSIBLE.



WHERE THE FRAME VERTICAL PROFILE MEETS THE WALL PROFILE.