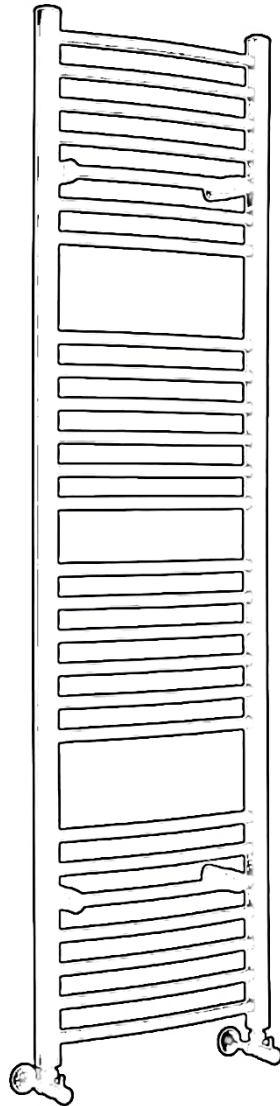


Installation Guide



Important information

Before installation, please read this guide carefully.

- A fully qualified and competent person should install this product.
- Observe all local plumbing and building codes.
- Shut off the main water supply.
- Operating temperature maximum 100°C. Please install a warning sign near the product to avoid burning and scalding accidents.
- Select the desired location for the radiator ensuring the chosen wall is both strong enough and suitable to carry the weight of the radiator when full of water.
- The provided fixings are for masonry walls only, if installing on any other surface please check that it will safely support the product and purchase suitable fixings
- When cleaning, never use abrasive cleaners on this product as they will damage the surface. Wipe the surface clean with a soft, damp cloth.
- Manufactured to BS EN 442-1 Radiators and convectors.
- The pipework must be flushed out to remove any debris which can affect the function of this product.
- We update our product information and instructions regularly: for the latest product information and instructions please look up your product by using search bar on the website www.victorianplumbing.co.uk

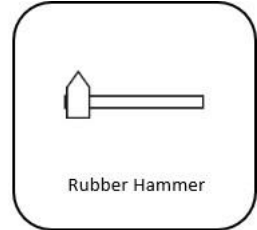
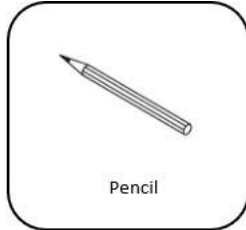
Child Safety Notices

Please note that you are 100% legally responsible for your own child's safety at home. Once installed, the radiator can become a hazard for children as this radiator is not designed to support unreasonable extra weight, such as that of a child and the radiator becomes hot during use. We must stress that you should not allow children to climb/grab/play with the radiator or rails, as this can cause accident or injury for the child from heat, falling, or the radiator being pulled off the wall.

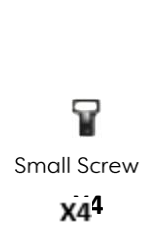
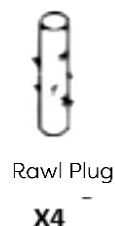
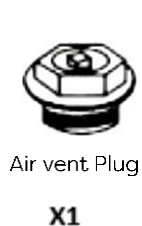
Check & Inspect

Here at Victorian Plumbing, we pride ourselves on selecting products from reputable manufacturers who manufacture to our exacting standards and quality control measures. All our products are well packaged and should reach you in pristine condition. Please check this product carefully prior to install as we must be notified of any shortages or damage within 30 days of delivery. For further information please see terms and conditions.

Tools required for installation (not supplied)

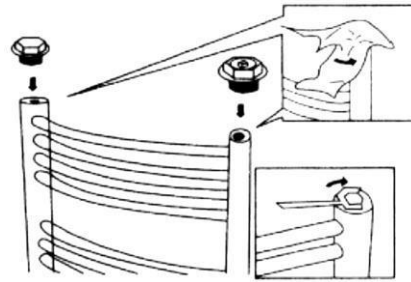


Please check you have all these items below:



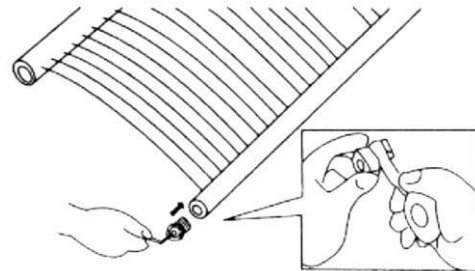
Step 1

Screw the blanking and air vent plugs into the top two threads in the upright channels of the ladder rail. They can be fitted on either side and using a cloth to prevent scratching, tighten them with a spanner. Apply PTFE tape.



Step 2

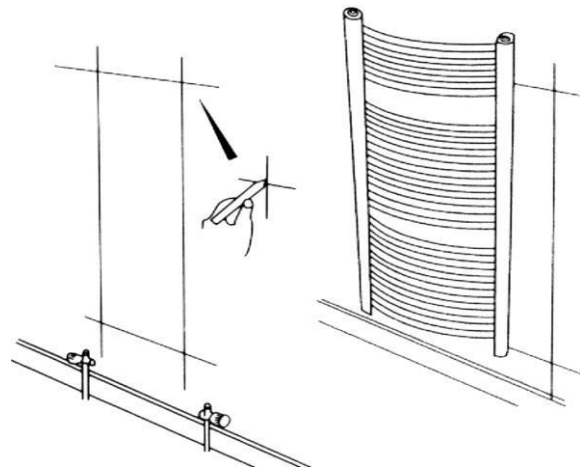
Thread the tails from the radiator valves (not supplied) into the bottom two threads. Apply PTFE tape.



Step 3

The wall supports should be fitted at approximately 10cms from the inside edge of the ladder rail. 2 fixings are required near the top of the ladder rail and 2 fixings near the bottom.

The mounting height can be varied between any of the ladder rail bars to allow you to establish the best fixing point for the radiator, mark the fixing points with a pencil.



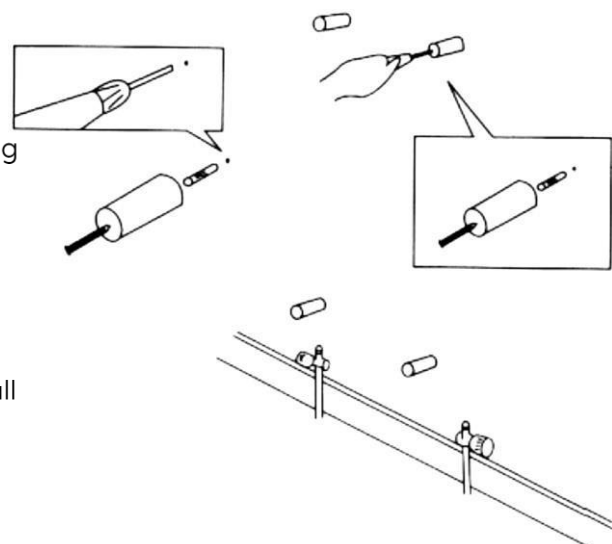
Step 4

Mounting to Brick or Breezeblock

At the required fixing positions drill a hole using an appropriately sized masonry bit and insert the wall plug ensuring it's flush with the wall. Place a long screw through the center of the wall support and tighten into the wall plug.

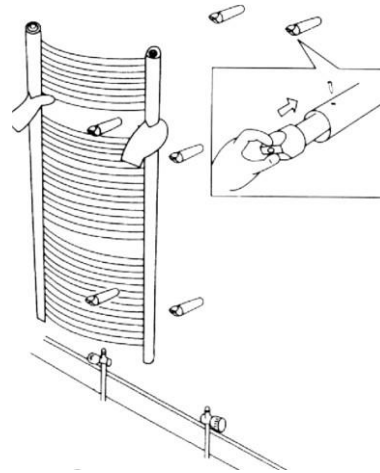
Mounting to Wood

Place long screw through the center of the wall support and screw into the wooden baton at the required fixing positions.



Step 5

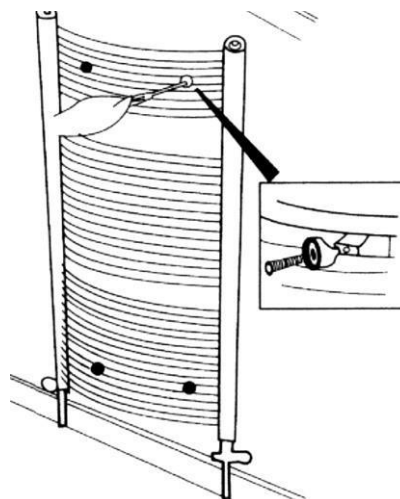
Place the spacer inside the wall support and insert the small screw into the hole in the wall support. Don't over-tighten to allow for adjustment later.



Step 6

Offer the ladder rail up to the fixing brackets and place bolt through the bracket bush.

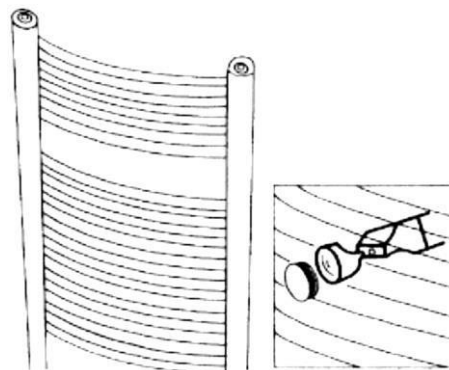
Place the bolt between the selected ladder rail bars and thread into the wall support ensuring the square face of the bracket bush is aligned with the ladder rail.



Step 7

Push the rail flat against the wall, adjust to required depth and tighten the small screws to secure.

Push the end caps over each of the bracket heads until they click into position.



After installation

- Use a screwdriver/vent key to open the air vent, open the valve and let the water rush into radiator.
- Check all connections for leaks.
- Once water overflows from the air vent, the radiator is fully purged of air.
- Use a screwdriver/vent key to close the air vent, turn on the valve and the radiator is ready for use.

Recycling and disposal

Please recycle the packaging in accordance with your local government regulations on waste handling, and follow the same advice at the end of the products life.

Product - Steel

Packaging - Cardboard, plastic, steel

Trouble shooting

When your radiator does not function, knowing basic radiator troubleshooting can save you from the stress and the hassles of a non-functioning radiator. Here is a guide to solve the most common problems associated with these electric home heaters.

Problem	Cause	Action
Cold spots on the radiator	Water is not flowing through radiator properly	<ul style="list-style-type: none">• Check to make sure there is no trapped air inside the radiator. "Bleed" the radiator to release air.• Make sure the valves are fully open to allow water to move freely.
Leak on the radiator	Valve nut is loose	Tighten the valve nut
Sound of whistling or water whooshing	Radiator was not perfectly balanced when it was installed	Re-balance all radiators on the heating system
Clanking sound	The radiator was installed in a space that does not allow for pipe expansion	Re-check pipework