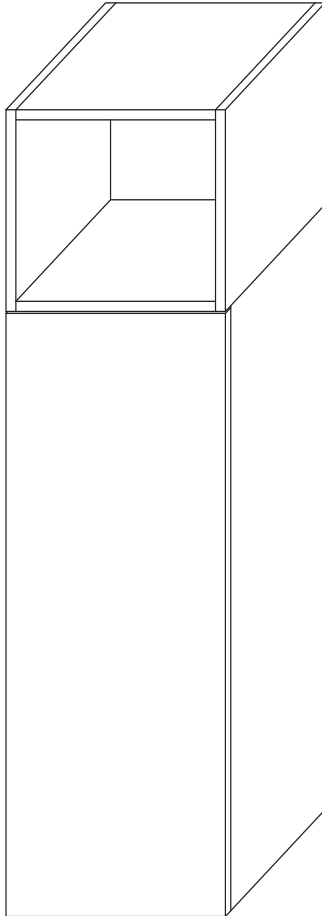




Wall Hung Side Cabinet



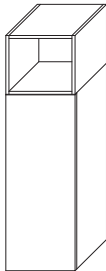
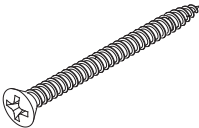
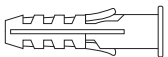
Fitting Instructions

Please follow them carefully and
leave this manual with end user

Before you begin:

1. **We recommend that this product is installed by a qualified tradesperson**, Victorian Plumbing Ltd. accept no liability for products incorrectly installed or any damage to the floor, walls, plumbing, cabinet or personal injury during installation.
2. **Check the chosen wall space for any pipes/cables prior to drilling**
3. **We recommend that Wall Mounted Cabinets must be fastened to a load bearing wall. Check the type of wall you are fixing into and use suitable fixings.**
4. Observe all local plumbing and building codes & regulations.
5. Unpack the product then read these instructions before proceeding. Inspect the product for damage. If any damage is found, contact our Customer Relations team.

Items Included:

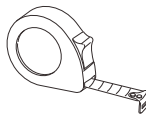
No.	Description	Picture	Qty
A	Side Cabinet		1
B	Screw		4
C	Rawl Plug		4

Tools Required (Not Included):

Ensure the appropriate PPE is used during installation



Pencil



Tape Measure



Drill



Screw Driver



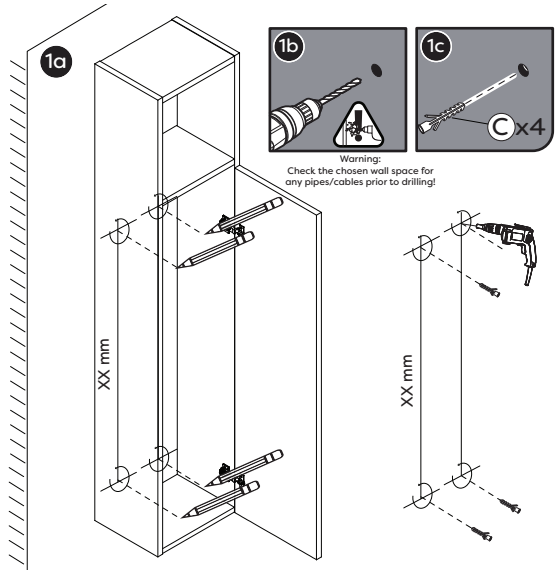
Spirit Level

Installation

Diagrams are for illustration purposes only. Your Side Cabinet may superficially differ from these drawings however the installation guide steps still apply.

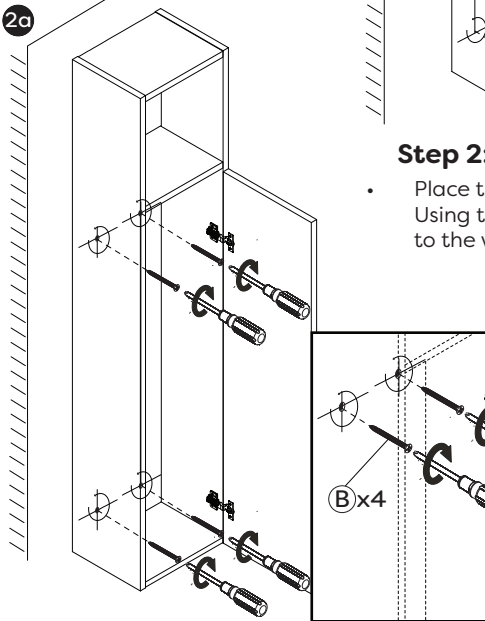
Step 1:

- Set the unit at the desired height, then mark the positions of the pre-drilled holes at the back plinth of the unit.
- Drill the holes in the wall using the appropriate sized drill bit, then insert the 'Rawl Plugs' (C).



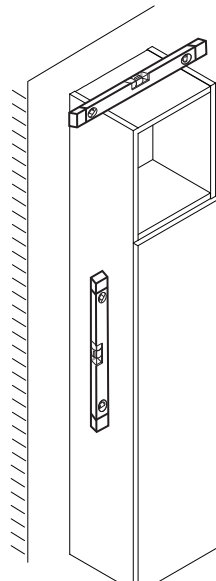
Step 2:

- Place the unit up against your chosen wall. Using the 'Screws' (B) provided. Secure the unit to the wall by screwing into the 'Rawl Plugs'.



Step 3:

- Ensure the unit is securely mounted to the wall. Check that the unit is level using a spirit level.



Door Hinges:

These should be wiped out with a damp soapy cloth and wiped dry with a soft cloth as necessary. The hinges are lubricated and should not be cleaned with a degreasing agent as this will affect the action of the moving parts. Never lean on partially or fully opened doors in order to gain access to the units. The hinges are specified to adequately support the weight of the door, plus small additional weights such as wire accessories. It is advised that once the unit has been installed you should check every six months that all screws on the hinges are tight.

Please Note: Unit is water resistant, but not waterproof. All spillages and splashes should be wiped dry, failure to do so may shorten the life expectancy of the product and invalidate any guarantees.

Recycling and Disposal:

Please recycle the packaging in accordance with your local government regulations on waste handling and follow the same advice at the end of the products life.

www.victorianplumbing.co.uk