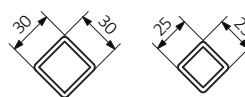
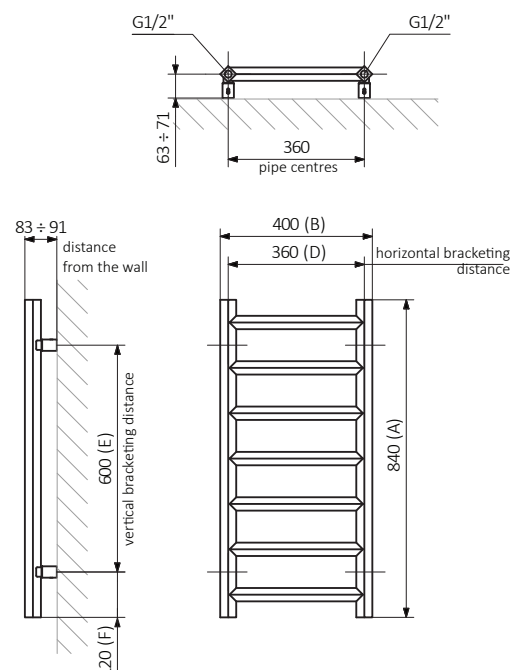


## Installation guide Crystal 840 x 400 mm

Please read the instructions in full before starting to fit your radiator.

- Please check that all parts listed are present before starting installation.
- Valves are not provided, please make sure that you have them before you start. This product requires standard 1/2" radiator valves.
- Before drilling holes for the brackets please check that there are no hidden wires or pipes.
- The plugs supplied are for hard walls masonry only. Please make sure you are using the correct plug for your wall.
- Terma radiators are designed for closed heating systems.
- The radiator should be fitted at least 100 mm from the floor to maximise heat efficiency.
- Noting the distances between bracket centres, mark out the position of the brackets on the wall.
- Drill holes to approximately 80 mm depth using a 10 mm drill bit and insert rawl plugs (1). Using connecting screw with a washer (2) attach mounting bracket-1 (3).
- Using bracket to collector fixing screw (5) attach mounting bracket-2 (6) to radiator.
- Guide all mounting brackets-2 (6) into mounting brackets-1 (3) and fix with connecting screws (4)
- Connect the water flow using appropriate 1/2" BSP valves. Follow valves manufacture guidelines for correct installation.
- Fill the radiator and purge any trapped air via the bleed valve at the top of the radiator.
- Wipe your radiator down using a clean damp cloth. Never use scourers or abrasives.

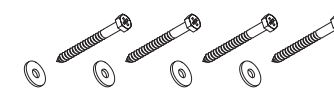


### Fixing kit content

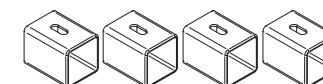
rawl plug (1)



wall fixing screw + washer (2)



mounting bracket-1 (3)



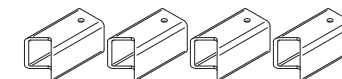
bracket connecting screw (4)



bracket to collector fixing screw (5)



mounting bracket-2 (6)



air vent \*



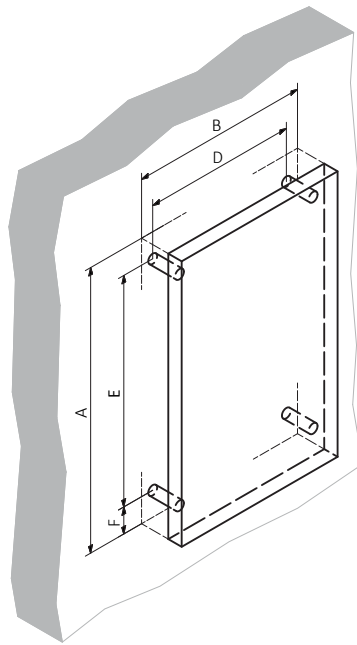
allen key



\*Refers to water and dual fuel version

For all installation and warranty enquiries please contact Crimson Bear Customer Support on 01535 636256

Mounting bracket TERMA MM; V; 42÷50 mm; 4x



<p><b>1</b></p> <p>Ø10x80 4x</p>	<p><b>2</b></p> <p>4x</p>	<p><b>3</b></p> <p>4x PZ3</p>	
<p><b>4</b></p> <p>4x</p>	<p><b>5</b></p> <p>4x</p>	<p><b>6</b></p> <p>PZ1 4x 42 ÷ 50</p>	<p><b>7*</b></p> <p>1x 20</p> <p>*Refers to water and dual fuel version</p>