

9001WS

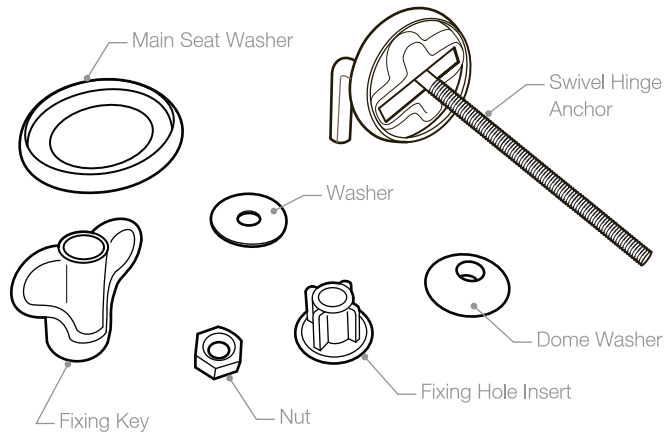
THERMOSET TOILET SEAT - ADJUSTABLE STAINLESS STEEL HINGE

FITTING INSTRUCTIONS

Please read carefully before you start and retain for future reference

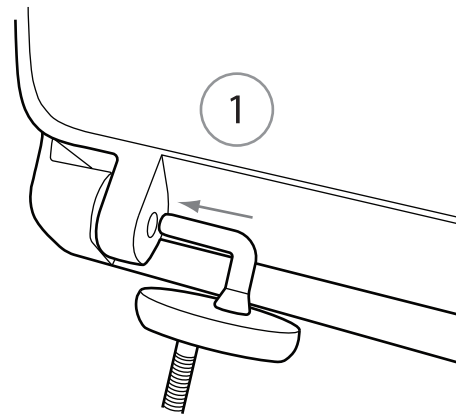
Please read carefully before attempting to fit the seat. If you are not the end user, please make sure the aftercare instructions are made available for the end user to read.

PARTS DIAGRAM

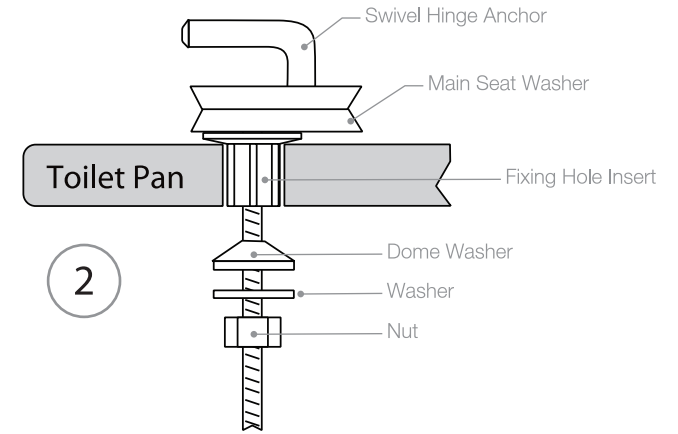


The seat is supplied with the above fixing kit (2x of each component except Fixing Key))

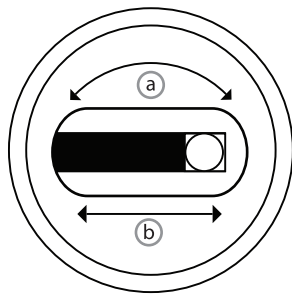
FITTING THE SEAT TO THE PAN



Insert the swivel hinge into the seat fixing hole at the rear of the ring/lid as shown in diagram above (Stage 1). Bolt the seat to the pan using the fixings in the configuration shown in diagram above (stage 2). To adjust the seat position to align with the pan see adjustment below. Once seat is in desired position fully tighten the nut using the fixing key supplied.



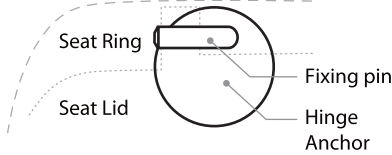
ADJUSTMENT



View of underside of hinge body.

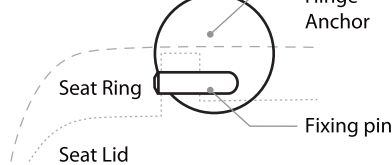
Align the seat on the pan by adjusting the fixing bolts position. Adjustment can be made by rotating the disc (a) and/or sliding the fixing bolt backwards and forwards (b)

FIG 1



For minimum seat projection fit the hinge anchors as shown in Fig. 1.

FIG 2



For maximum seat projection fit the hinge anchors as shown in Fig. 2.

AFTERCARE INSTRUCTIONS



Clean surfaces with a soft damp cloth and mild soap solution



Do not use abrasive cleaning agents



Do not scrub or scour



Do not stand on the lid or ring of your toilet seat

CUSTOMER SERVICES

Brassmill Lane Trading Estate, Bath BA1 3JF | tel: 01225 303900

REF: RR.WL.06.12