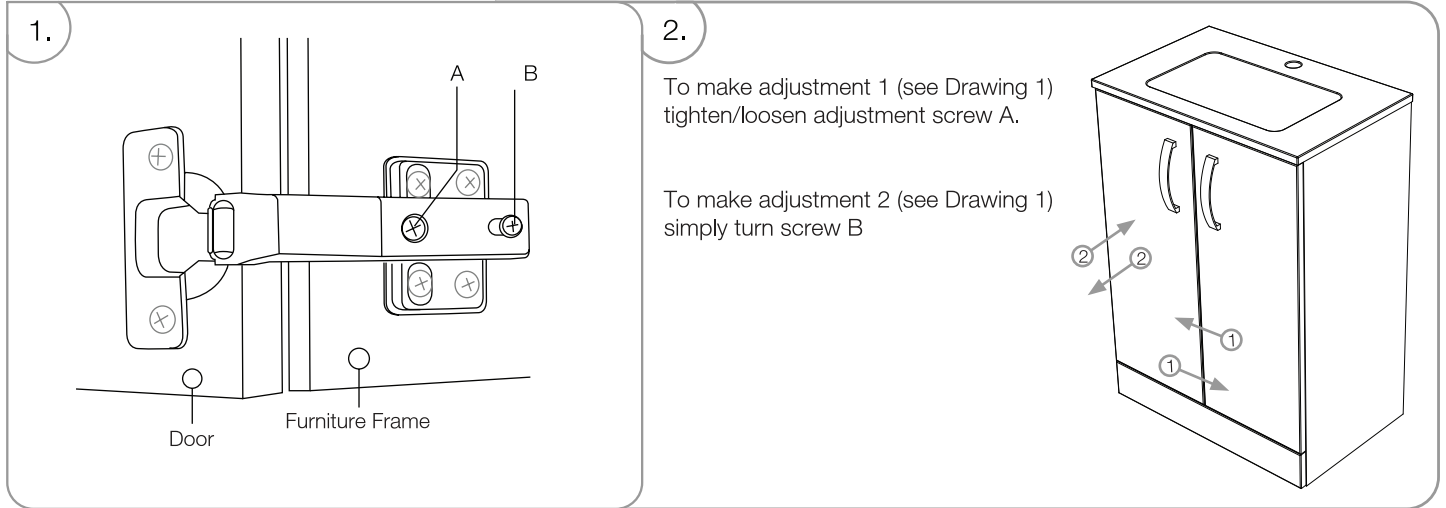


### Before you start

It is recommended that the unit and basin are secured to a suitably reinforced wall to ensure stability. This can be done through the back rail (fixings not included.)

### Hinge Adjustment



### Fitting Ceramic Basin

Once the basin has been plumbed in finish by securing to the washstand using a silicone sealant (not supplied).

### Furniture Aftercare Instructions

As with all wooden furniture, this product should be treated with care.

#### We recommend...

Wipe away any water splashes or condensation after use. Excessive exposure to water will deteriorate the furniture.

All bathrooms should be well ventilated with a suitable extractor fan.

Clean with a soft damp cloth only.

Use a wax free polish if one must be used.

For removal of lime scale deposits use a suitable proprietary cleaner. Test on an inconspicuous area first.

#### Please DO NOT...

Do not scrub or scour

Do not use abrasive cleaning agents

**Replacement components** - Should you require any replacement components for this product please contact Tavistock using the contact details below.