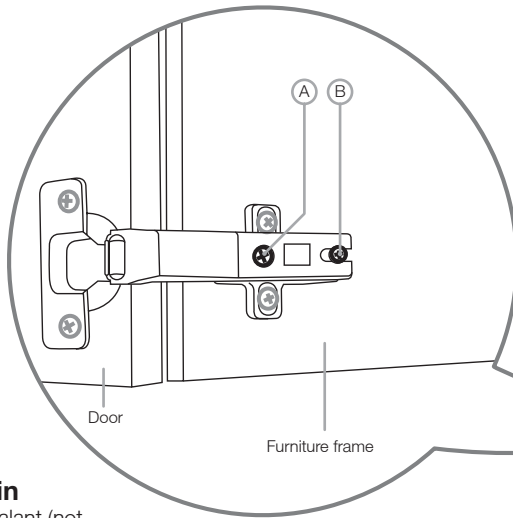
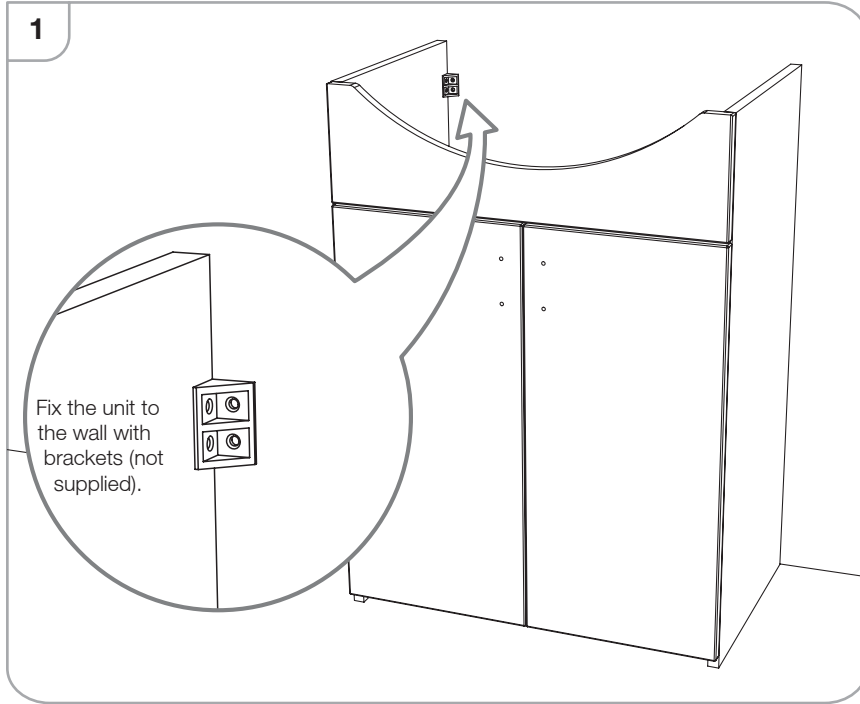


#### Before you start

It is recommended that the unit and basin are secured to a suitably reinforced wall to ensure stability. Use suitable brackets (not supplied) to fix the unit to the wall (see diagram 1). Seek advice from a specialist to ensure you use the correct fixings for the wall construction you are fixing to.

Wear suitable eye protection when drilling. Take care when using power tools near water - the use of a residual current device (RCD) is recommended. Beware of hidden pipes or cables. Take care when drilling tiled surfaces as the drill might slip. Use a piece of masking tape to prevent the drill from wandering.



#### Fitting ceramic basin

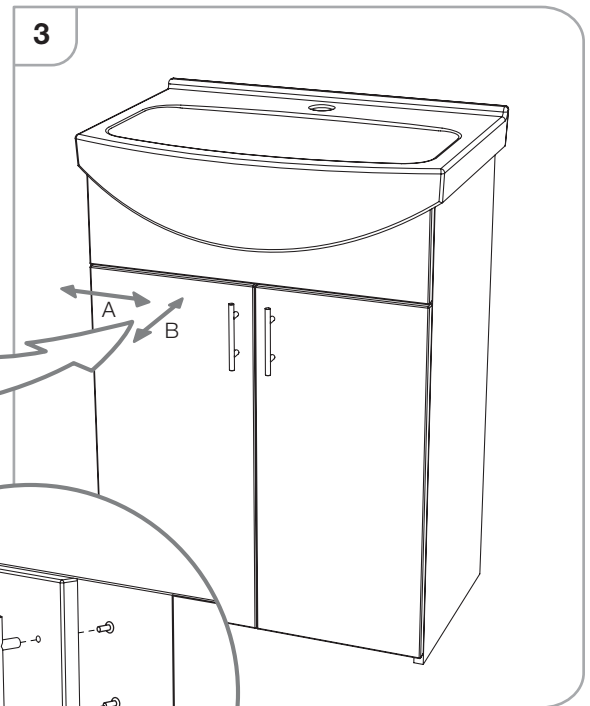
Apply a suitable silicone sealant (not supplied) around the top of the unit to help secure the basin.

#### Fitting handles

The doors are pre-drilled with the handle location holes. Fit the handles with the screws provided.

#### Door adjustment

Screw A offers left / right adjustment for levelling up the doors. Screw B offers forward / back adjustment (see diagram 3).



#### All wooden furniture should be treated with care...

##### We recommend



Wipe away any water splashes or condensation after use. Excessive exposure to water will deteriorate the furniture.



All bathrooms should be well ventilated with a suitable extractor fan.



Clean with a soft damp cloth only.



Use a wax free polish if one must be used.

For removal of lime scale deposits use a suitable proprietary cleaner. If necessary test on an inconspicuous area first.

##### Please DO NOT...



Do not scrub or scour



Do not use abrasive cleaning agents

##### Replacement components

Should you require any replacement components for this product please contact Tavistock using the contact details below.