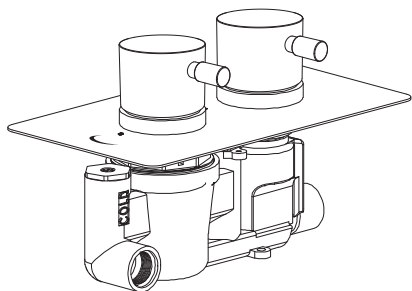


#### DUAL INLINE CONCEALED VALVE

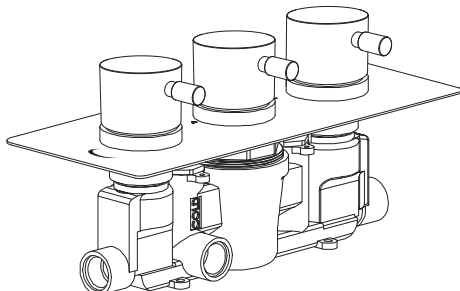
SKN0201, SAS0201, SLG0202  
SKN0202, SAS0205



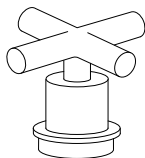
TMV2 / Buildcert Ref No: **RRTAV2**

#### TRIPLE INLINE CONCEALED VALVE

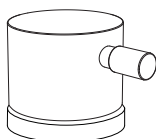
SKN0303, SAS0303, SLG0304



TMV2 / Buildcert Ref No: **RRTAV3**

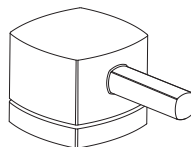


Astin



Kinetic

*Shown as example*



Logic

# INTRODUCTION

This guide provides instruction for the installation operation and maintenance of Tavistock concealed dual and triple control Shower Valves. It is beyond the scope of this guide to provide detailed instructions for the installation of auxiliary products which may be attached to these valves.

These shower valves must be installed in accordance with the Water Supply (Water Fittings) Regulations 1999 and in accordance with the BuildCert TMV2 scheme.

## OPERATING CONDITIONS OF USE

Before installation the operating conditions of use must be checked. The table below contains details of the necessary conditions of operation. If your water supply cannot meet these conditions then the valve cannot be guaranteed to operate as a Type 2 TMV2 certified shower valve. This valve is suitable for use in both low pressure (BS 1287) and high pressure (BS 1111) operating conditions.

### Unbalanced Water Supply

Valves must always be operated within either the range for BS 1287 OR BS1111 as described in the table below. Valves cannot operate effectively where a hot or cold pressure system crosses the boundaries of the two ranges. In addition the maximum ratio of unbalanced hot and cold water pressures for the valves to operate effectively is 3:1. Hot or cold pressure must be reduced or boosted so as to work within the required range.

Valves operate most effectively when pressure is balanced.

### Maximum Water Pressure

Concealed Dual and Triple Control shower valves are suitable for use with all water supply systems up to a maximum of 5.0 Bar. Operating pressures above 5.0 Bar will require the installation of pressure reducing valves. If water supply is fed by gravity then supply pressure should be verified to ensure the conditions of use are appropriate for the valve.

### TMV2 valve performance information

	Low Pressure BS1287	High Pressure BS1111
MAX Static (BAR)	10	10
Flow Pressure (BAR) Hot and Cold	0.1 - 1.0	0.5 - 5.0
Hot Supply (°C)	55 - 65	55 - 65
Cold Supply (°C)	MAX 25	MAX: 25
Mixed Water (°C)	Recommended: 41 MAX: 43	Recommended: 41 MAX: 43

### Safe bathing temperature for adults or children.

The British Burns Association recommends 37 to 37.5°C as a comfortable bathing temperature for children. In premises covered by the Care Standards Act 2000, the maximum mixed water outlet temperature is 43°C.

# VALVE INSTALLATION GUIDELINES AND COMPLIANCE

The valve must be installed so that it is readily accessible for commissioning and maintenance in accordance with the TMV2 scheme. The valve must be installed with isolation valves on both the hot and cold water systems as close as possible to the valve; so as to allow the valve to be commissioned and tested correctly. The valve is supplied with integral strainers on the hot and cold water supplies therefore in-line strainers should not be required. The valve is fitted with integral check valve cartridges which command the water supply, therefore the thermostatic valve is protected against cross-flow due to unbalanced line pressures as required by the Water Supply (Water Fittings) Regulations 1999.

## TESTING

It is recommended that showers do not exceed 41°C. The valve temperature should never exceed 43°C. After commissioning, carry out the cold failure test to ensure the valve is operating correctly and check the valve after installation to ensure it operates at the correct outlet temperature.

## TESTING METHOD

The valve should be tested to ensure correct operation at commissioning and thereafter at stated intervals decided by the user but never at greater than 12 monthly intervals. The testing will only require a normal thermometer with a scale greater than 65°C. The temperature sensitive element of the thermometer should always be fully inserted into the water flow.

1. Measure the mixed water temperature.
2. Carry out a cold fail/safe shut-off test by using the isolation valve to shut off the water to the cold supply. Wait 5 seconds, if water is still flowing check that the water temperature is below 41°C. The flow should stop or reduce to a trickle.
3. Open the cold water isolation valve and measure mixed water temperature. If there is no significant change from the original settings and fail/safe shut off is functioning the valve is working correctly and no further service is required. If the outlet temperature has drifted by more than 2°C, or if the fail/safe function does not work, a full service or re-commissioning is required.

We recommend that in these circumstances you contact a plumber for advice as servicing should only be undertaken by a competent person.

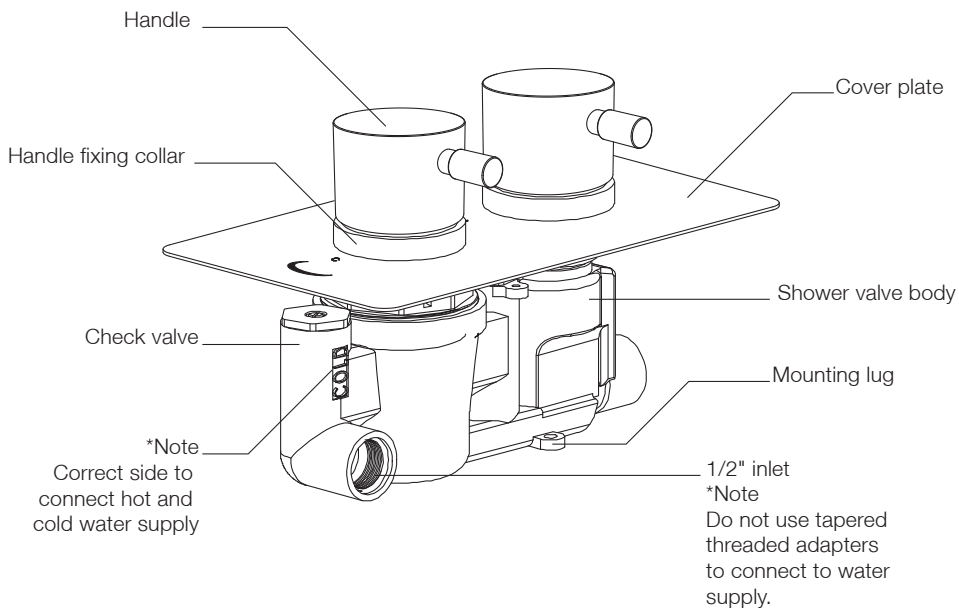
## WATER SUPPLY - (WATER FITTINGS) REGULATIONS 1999

This valve complies with the requirements of the above regulations and installation should be carried out in strict compliance with them.

## COMMISSIONING

Most problems associated with the operation of thermostatic shower valves are caused by debris in the new pipe work getting into the thermostat. These problems are easily avoided by thoroughly flushing the pipe work BEFORE the shower valve is fitted.

# MOUNTING DUAL AND TRIPLE SHOWER VALVES

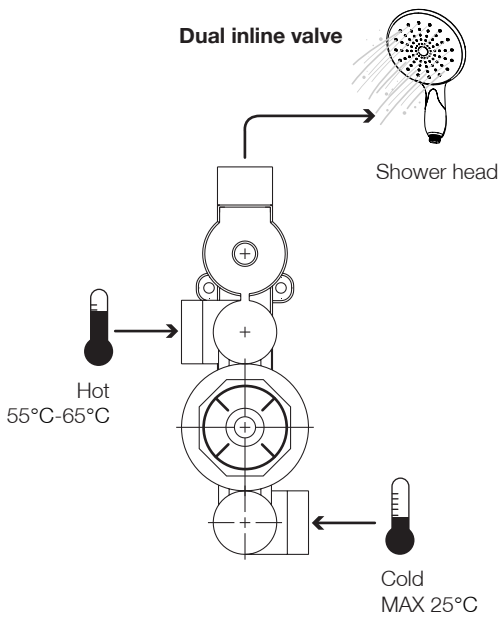


1. Determine the mounting position for the shower valve.
2. Prepare the recess in the wall in which to mount the valve. Ensure the cover plate will hide the cut recess after installation of the valve.

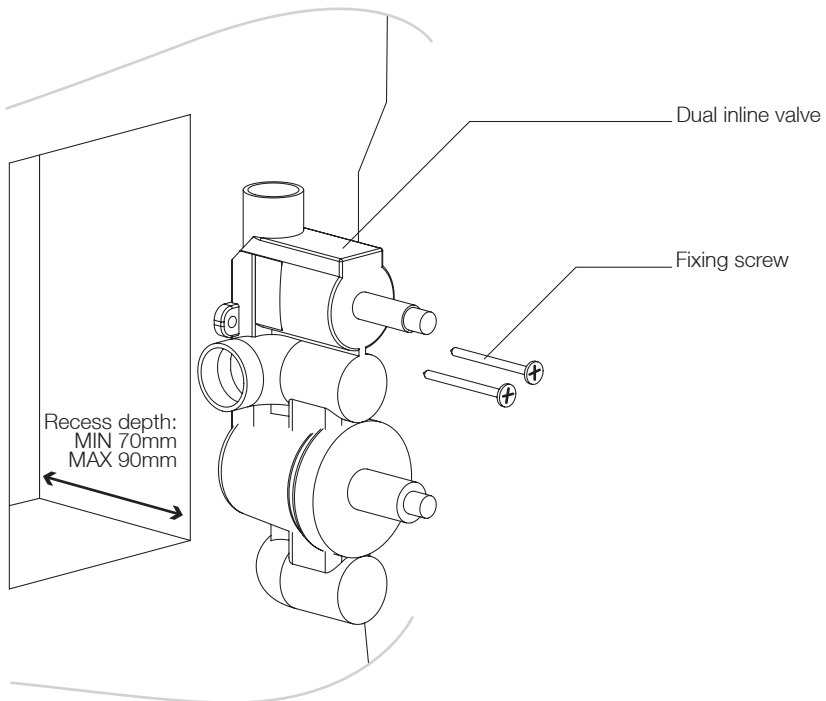
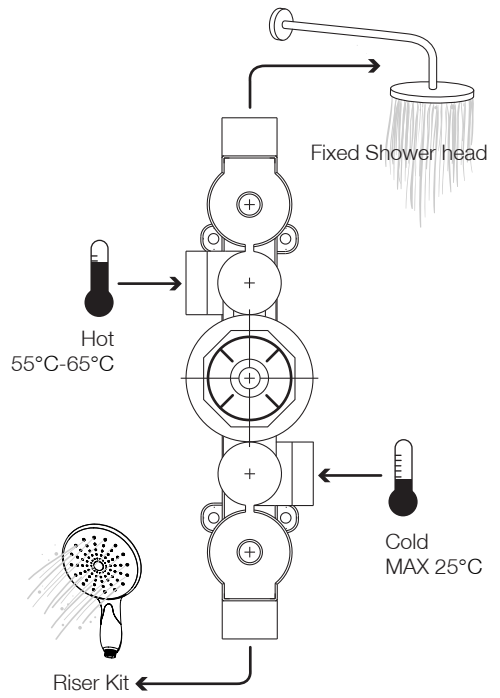
The depth of the recess for both these valve types should be: MIN 70mm, MAX 90mm.

3. Mount the valve in the recess using the fixing lugs and supplied fixing screws to secure (see diagram opposite).
4. When the valve is securely mounted into the wall make the plumbing connections using PTFE tape. Inlets and outlets are all tapped 1/2" BSP. **IMPORTANT:** Do not use tapered threaded adaptors, this may damage the valve body.
5. Connect the water outlet to the valve primary outlet connection e.g. shower head
6. **Triple inline valves only:** Connect the secondary outlet to the auxiliary connection e.g. body jets or secondary shower handset.
7. Turn on the water supply and test all pipe work for leaks.
8. Remove Hot & Cold check valves, flush out the installation, clean the filters and refit. Re-check pipe work and valve for leaks.

### Dual inline valve

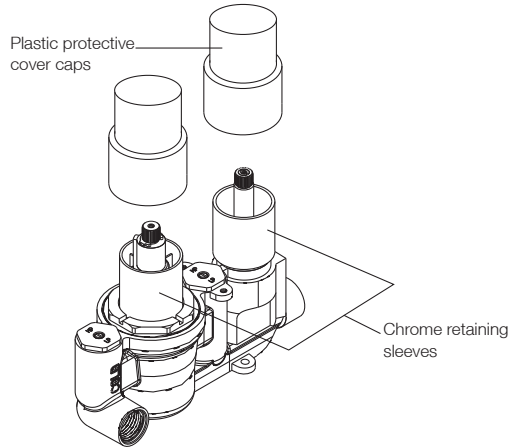


### Triple inline valve

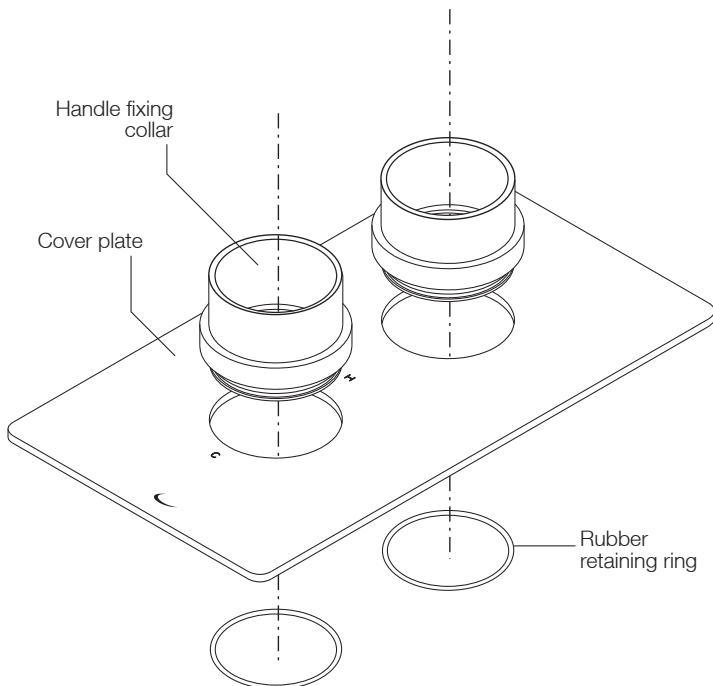


## ASSEMBLY OF COVER PLATE

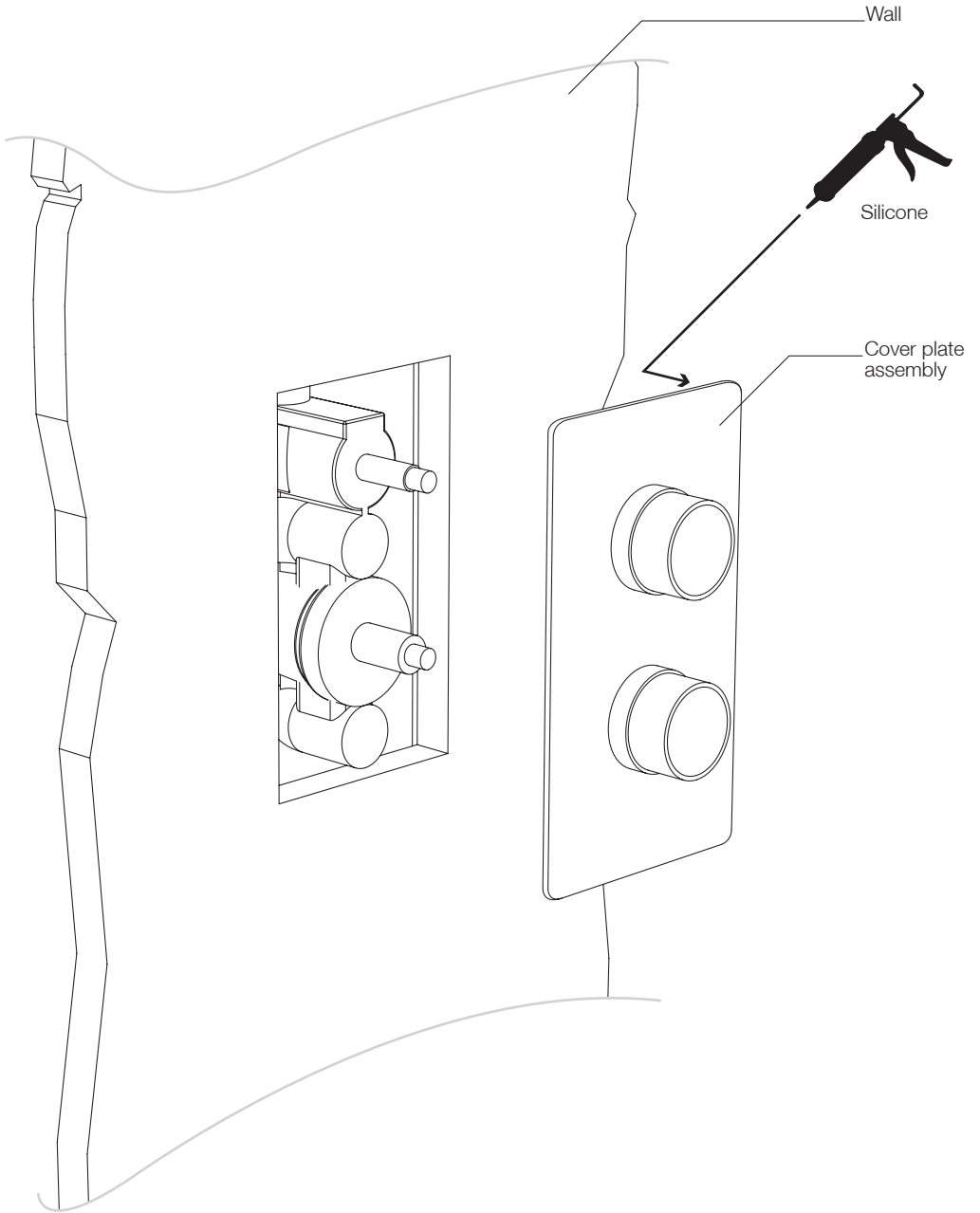
**9.** The valve is supplied with plastic protection covers. These can be left in place to protect the thermostat until assembly of the plate and handles and final commissioning of the valve is required. At this time, remove the protection cover whilst keeping the chrome retaining sleeve in place over the thermostat body.



**10.** Insert the fixing collars (packed inside the handle box) through the holes in the cover plate and secure to the back of the plate using the black rubber retaining rings supplied. See below.



**11.** Apply a small bead of silicone behind the front cover plate and slide over the body into position. Smooth off against the wall finish.



# SETTING THE TEMPERATURE OF THE THERMOSTAT AND INSTALLATION OF THE HANDLES

## Fitting the Temperature Control Handle:

Check the valve after installation to ensure it operates at the correct outlet temperature. To set the maximum temperature rotate the spindle of the thermostat until the maximum showering temperature is reached (clockwise for cold, anti-clockwise for hot) It is recommended showers do not exceed 41°C.

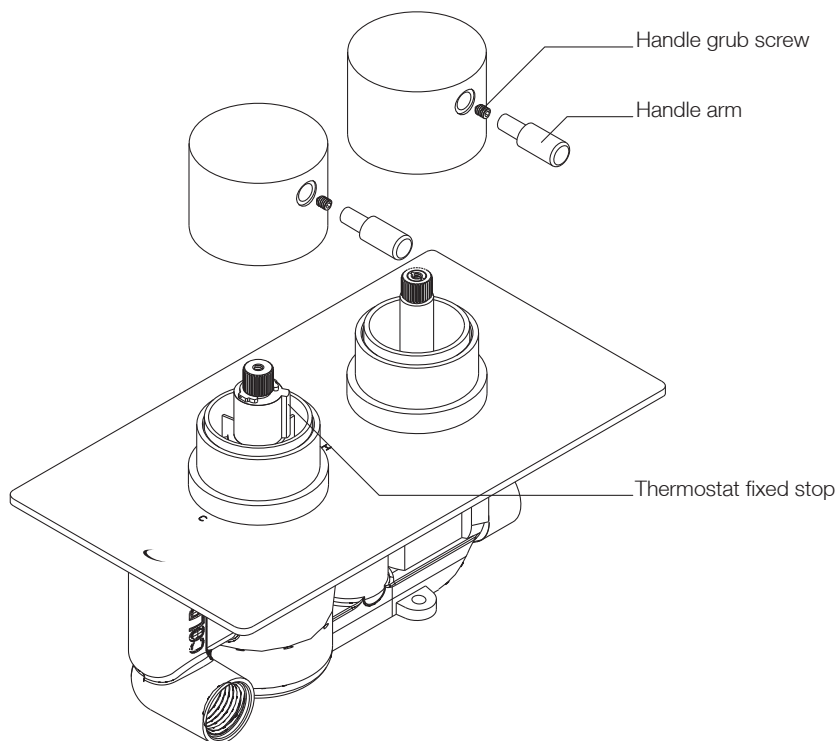
The handle temperature limiting stop is situated on the underside of the handle body. Fit the handle onto the thermostat spindle so that the stop inside the handle butts up against the right hand side of the fixed stop on the thermostat body.

This will prevent the handle from turning beyond the maximum desired temperature. When correctly fitted the handle should only be capable of being turned from the stop in the direction of the cold arrow.

Fix the temperature control handle firmly in position by tightening the handle grub screw onto the thermostat spindle. Check once more the maximum desired temperature can not be exceeded. To comply with TMV2 regulations the water temperature from the shower head should never exceed 43°C.

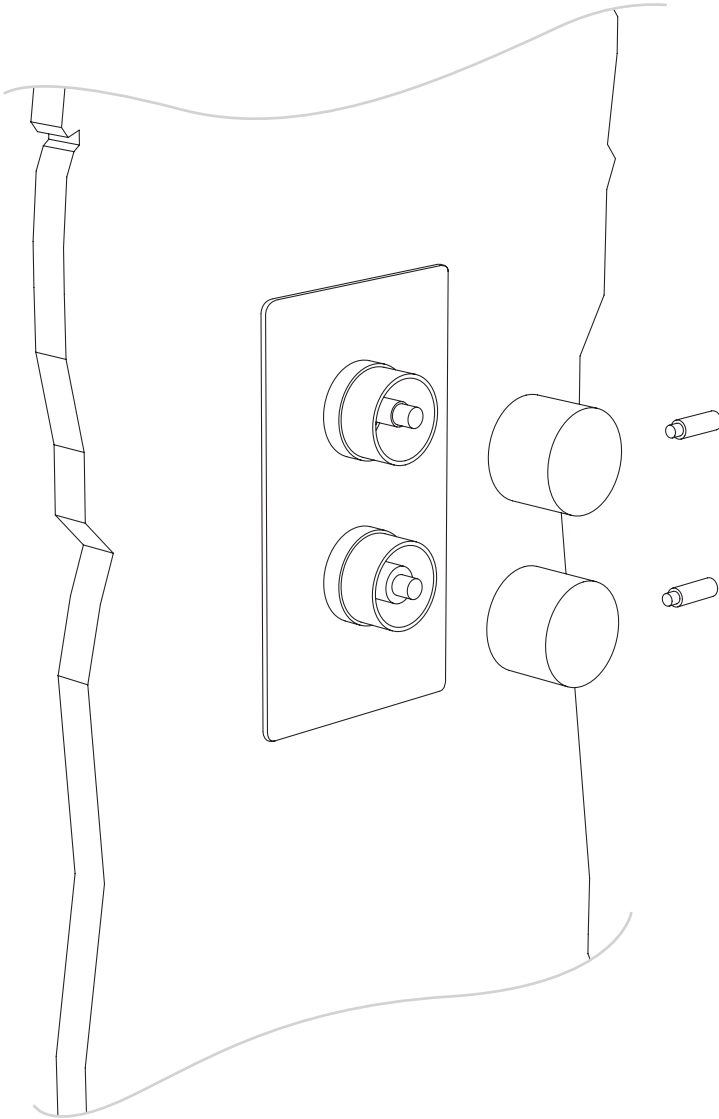
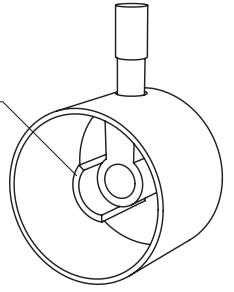
## Fitting the Flow Control Handles:

Fit the remaining handle(s) onto the on-off flow control by tightening the handle grub screw onto the flow control spindle. Triple handle valves have an additional on-off outlet to allow for control of secondary components e.g. shower handsets.

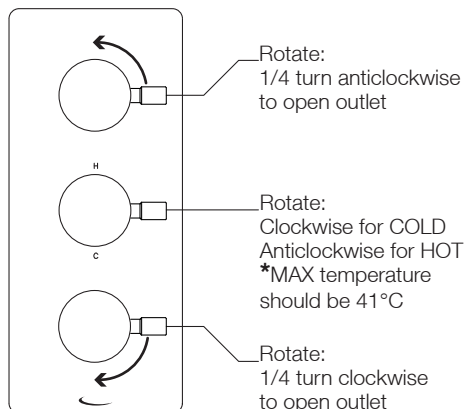
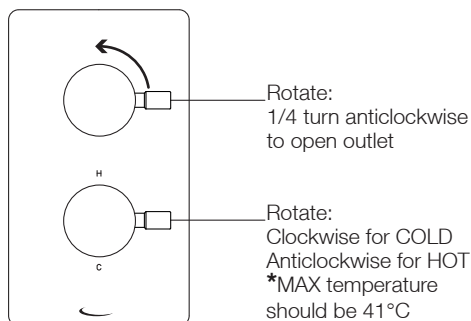




Handle stop



## OPERATION



## MAINTENANCE

If required removal and cleaning of the thermostatic cartridge can be carried out by removing the cartridge fixing bolt (take note of the orientation of the cartridge). The cartridge can be pulled from the housing and cleaned using cold running water. To re-install dry the o-ring seals on the cartridge body and lightly grease using a silicone grease only. Replace the cartridge ensuring the locating lug is located in the recess on the hot inlet side (left) of the valve.

## TROUBLE-SHOOTING

Problem	Solution
After installation shower only runs HOT or COLD and will not mix.	Hot & Cold supplies are plumbed the wrong way round. Remove the thermostatic cartridge, undo the 52mm AF clamp nut and pull the cartridge out (using temperature control knob to aid removal). Rotate the cartridge 180 degrees and re-assemble. OR Remove cartridge, clean under running water whilst turning the spindle. Replace.
Shower will not run hot enough when first installed	Maximum temperature needs adjusting, see temperature setting guide
Cold water running back through the valve into the hot water system.	Check and clean the check valve cartridges and filters located under the check valves.

If you require further assistance beyond the guide below contact the help line on 01225 303 900

## AFTERCARE INSTRUCTIONS

Whilst this item has a high quality durable finish, it should nevertheless be treated with care. Surfaces should be cleaned using only a soft damp cloth and clean water & dried using a soft cotton cloth. Bath / shower cleaning products, even non-scratch ones could damage the finished surface.

## 10-YEAR GUARANTEE

We have complete confidence in this Tavistock product and as such it is offered with a 10-year guarantee against defects in manufacture. This valve must be fitted by a competent installer. If in doubt seek advice from a qualified professional.

The guarantee requires that this product be used in the manner for which it was intended and that it is installed & maintained in accordance with the fitting instructions and local water bylaws. The guarantee covers products in domestic use only.

Always ensure this product is fully tested before concealing valves into the wall. On installation ensure that the valve and valve inlet threads can be removed or serviced in accordance with TMV2 regulations. The guarantee is invalidated should the valve be damaged by water borne debris. Make sure that supply pipes are clear of any debris prior to installation, this is particularly important on new plumbing installations. In the unlikely event that this product should fail during the guarantee period we will either replace the faulty part or the complete unit as appropriate.

This guarantee excludes normal wear and tear. This guarantee covers failure of the thermostatic cartridge within the first 2 years of purchase only. Replacement cartridges are available to purchase by contacting the Tavistock Customer Service team. Failure to follow the terms outlined above will invalidate this guarantee. Proof of purchase will be required to validate any guarantee claims.

**TAVISTOCK**  
inspiring bathrooms

Customer Services, Tavistock, Brassmill Lane Trading Estate, Bath, BA1 3JF  
TEL: 01225 303 900 | FAX: 01225 448 877  
Email: [sales@roperrhodes.co.uk](mailto:sales@roperrhodes.co.uk) | Web: [www.tavistock-bathrooms.co.uk](http://www.tavistock-bathrooms.co.uk)