

Important Installation Notes

*It is essential that any surfaces of the unit which are cut during installation are re-sealed using an appropriate waterproof sealant, varnish or oil based paint. Failure to re-seal cut surfaces will invalidate the product warranty and may result in water damage.

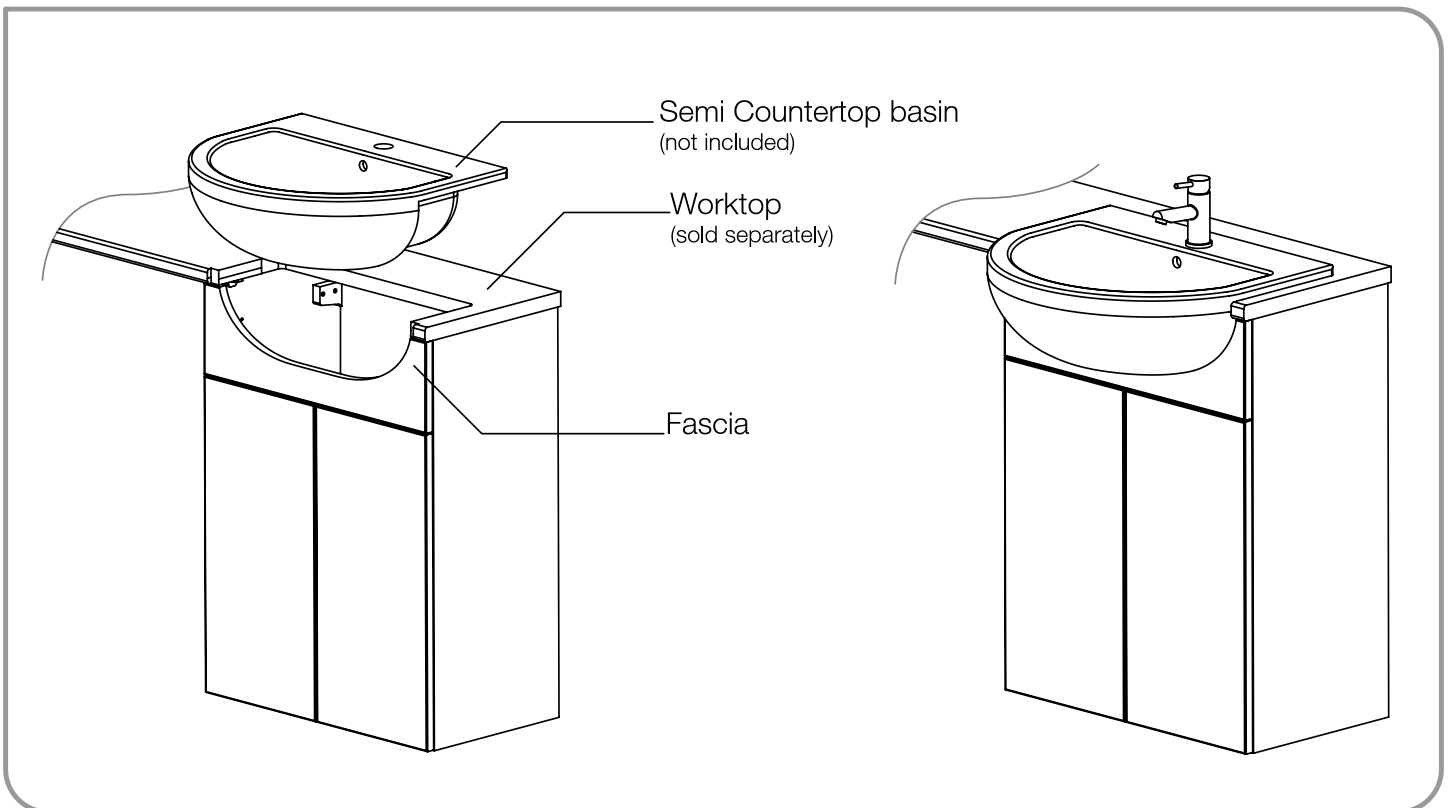
Joining Units

This unit can be joined to other units using furniture fixing bolts (not provided). It is recommended that units are joined before they are fixed to the wall. Clamp the units together using suitable clamps, ensuring they are flush and level with each other. Drill through the side of the unit and using the bolts, join units together. Remove clamps and fix the assembly to the wall as required.

Fitting the Semi Countertop Basin

To insert a semi countertop basin it will be necessary to cut both the worktop and the unit fascia. It is much easier to do this before the worktop is fixed in position. The following instructions assume that the basin is supplied with a cutting template.

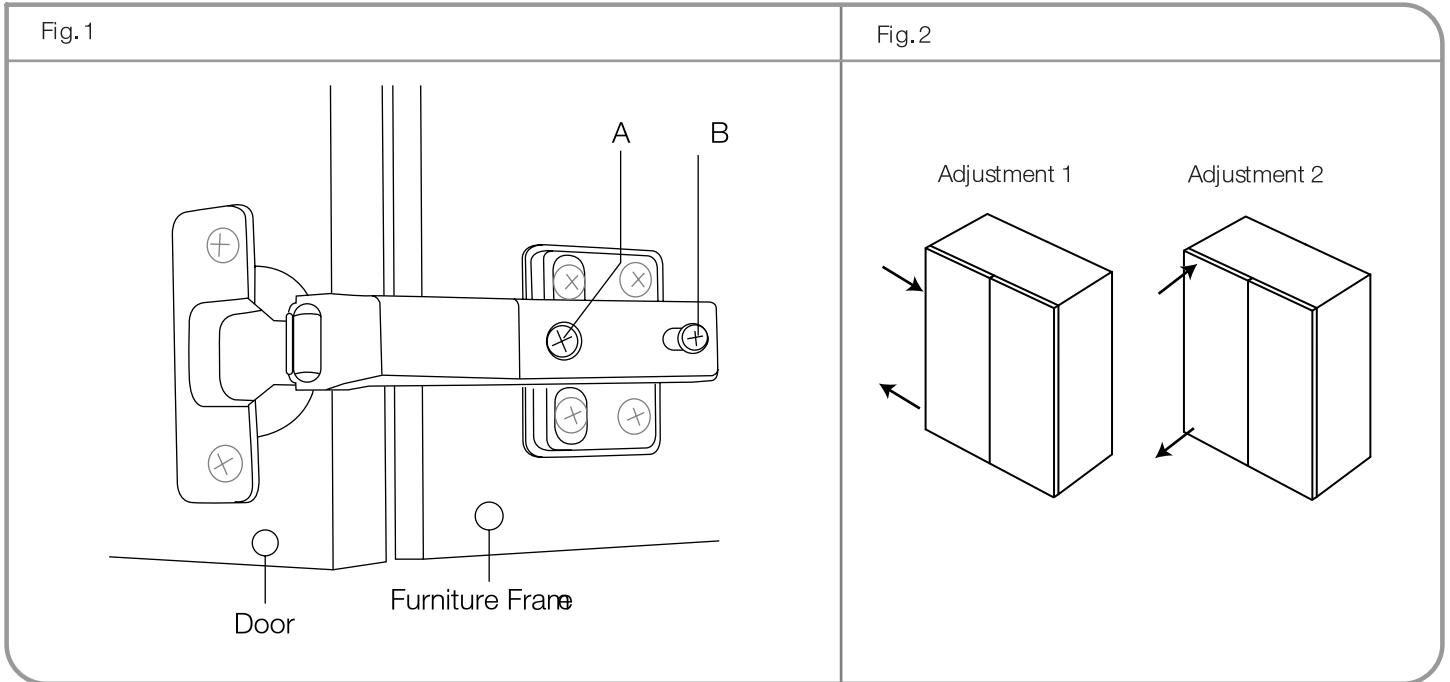
1. Position the worktop accurately on the base unit, but don't secure it.
2. Position the cutting template (supplied with the basin) and mark out the cut line on the worktop and fascia.
3. Remove the worktop and cut. Note: if using a jig saw on laminate worktops it is recommended that the top is cut with the finished side face down. To do this it will be necessary to mark the basin cut line on the underside of the worktop.
4. It is easier to cut the fascia by removing it from the unit. Simply pull fascia forward to remove.
5. **IMPORTANT NOTE:** Re-seal all cut edges using waterproof sealant, varnish or oil based paint.
6. Refit fascia and secure the worktop in position. Note: with some semi countertop basins it is easier to fit the basin to the worktop before fitting the worktop to the base unit.
7. Fit the semi countertop basin according to manufacturer's instructions. It is always easier to fit the basin waste and taps before securing the basin to the worktop. Make sure that any screws used to secure the basin are not too long; otherwise they may go right through the worktop. Always seal the mating surfaces between basin and worktops with silicone sealant. This prevents water seeping under the basin rim and damaging the worktop.
8. Connect plumbing services as necessary.



Hinge Adjustment

Hinges may require adjustment for both the doors to fit neatly together. This is achieved with the adjustable soft close hinges using the adjustment screws A and B (see Fig. 1). To access these you may first have to remove the screw cap cover. The hinges also feature a quick release mechanism to quickly and easily detach the door from the furniture frame, this is activated by pressing button C (see Fig. 1).

To make adjustment 1 (see Fig. 2) tighten/loosen adjustment screw A.
To make adjustment 2 (see Fig. 2) turn screw B.



Fitting handle

The handle can simply be screwed into place using the screws supplied

Furniture Aftercare Instructions

As with all wooden furniture, this product should be treated with care.

We recommend...

- Wipe away any water splashes or condensation after use. Excessive exposure to water will deteriorate the furniture.
- All bathrooms should be well ventilated with a suitable extractor fan.
- Clean with a soft damp cloth only.
- Use a wax free polish if one must be used.
- For removal of lime scale deposits use a suitable proprietary cleaner. Test on an inconspicuous area first.

Please DO NOT...

- Do not scrub or scour
- Do not use abrasive cleaning agents

Replacement components - Should you require any replacement components for this product please contact Tavistock using the contact details below.