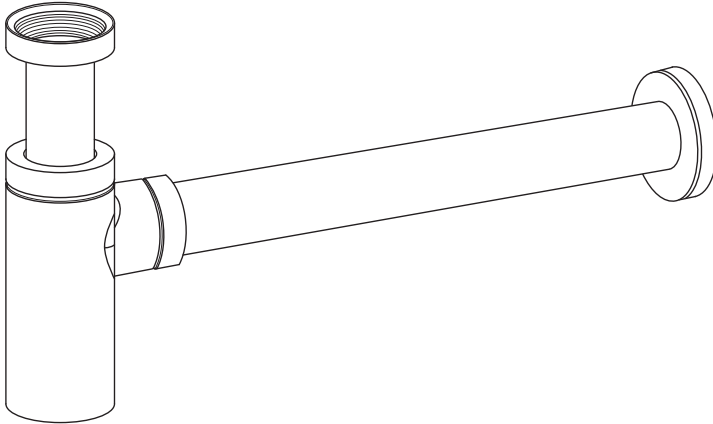




**victorian
plumbing.co.uk**

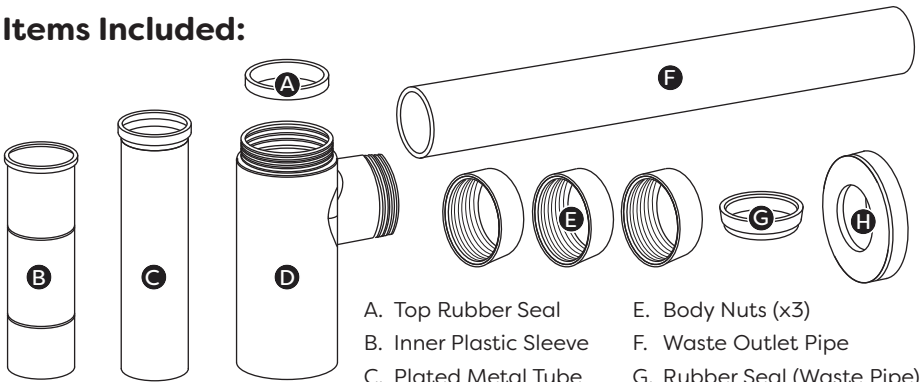
Basin Bottle Trap



Fitting Instructions

Please follow them carefully and
leave this manual with end user

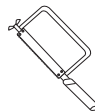
Items Included:



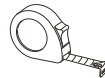
- A. Top Rubber Seal
- B. Inner Plastic Sleeve
- C. Plated Metal Tube
- D. Bottle Trap Body
- E. Body Nuts (x3)
- F. Waste Outlet Pipe
- G. Rubber Seal (Waste Pipe)
- H. Decorative Flange

Tools Required (Not Included):

Ensure the appropriate PPE is used during installation



Hand Saw



Tape
Measure



Spirit Level

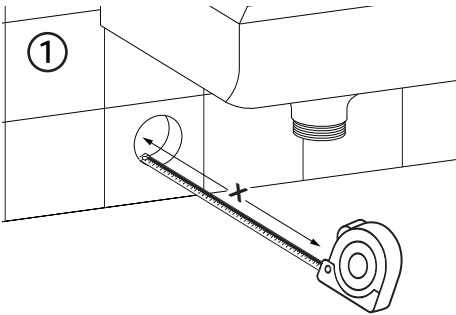
Recycling and Disposal:

Please recycle the packaging in accordance with your local government regulations on waste handling and follow the same advice at the end of the products life.

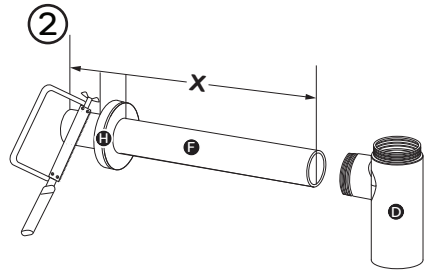
Before you begin:

1. **We recommend that this product is installed by a qualified tradesperson**, Victorian Plumbing Ltd. accept no liability for products incorrectly installed or any damage to the floor, walls, plumbing, sink, bottle trap or personal injury during installation.
2. Observe all local plumbing and building codes & regulations.
3. Ensure the incoming mains water supply is switched off prior to commencing the installation.
4. For the following instructions, it is assumed that the in-wall/floor plumbing has already been prepared and your chosen sink is installed.
5. Unpack the product then read these instructions before proceeding. Inspect the product for damage. If any damage is found, contact our Customer Relations team.

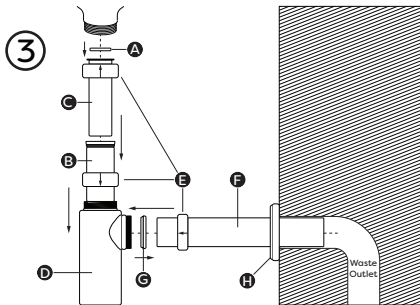
Installation:



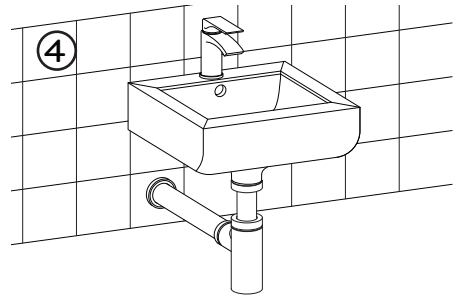
Measure the distance from the waste outlet hole to the sink hole of the basin. This trap is designed to connect to a 1 ¼" metal waste pipe. (A Multi-fit adaptor may be required to connect to your waste outlet.)



Measure the length of the 'Waste Outlet Pipe' (accounting for the measurements of the 'Bottle Waste Trap' and 'Decorative Flange'). If necessary, carefully cut the pipe to the correct length using a handsaw. Slide the 'Decorative Flange' over the 'Waste Outlet Pipe'.



Slide the 'Nuts' over the 'Metal Tube', 'Inner Plastic Sleeve' and 'Waste Outlet Pipe'. Push the 'Inner Plastic Sleeve' into the top of the 'Bottle trap waste'. Connect the 'Waste Outlet Pipe' to the waste outlet. Attach the 'Bottle trap waste' to the 'Waste Outlet Pipe' and 'Sink Waste'.



Tighten the 'Nuts' to ensure a tight seal. Turn on the water supply, run the tap and check all joints/connections for any leaks.

Diagrams are for illustration purposes only. Your Basin Bottle Trap may superficially differ from this drawing however the installation guide steps still apply.