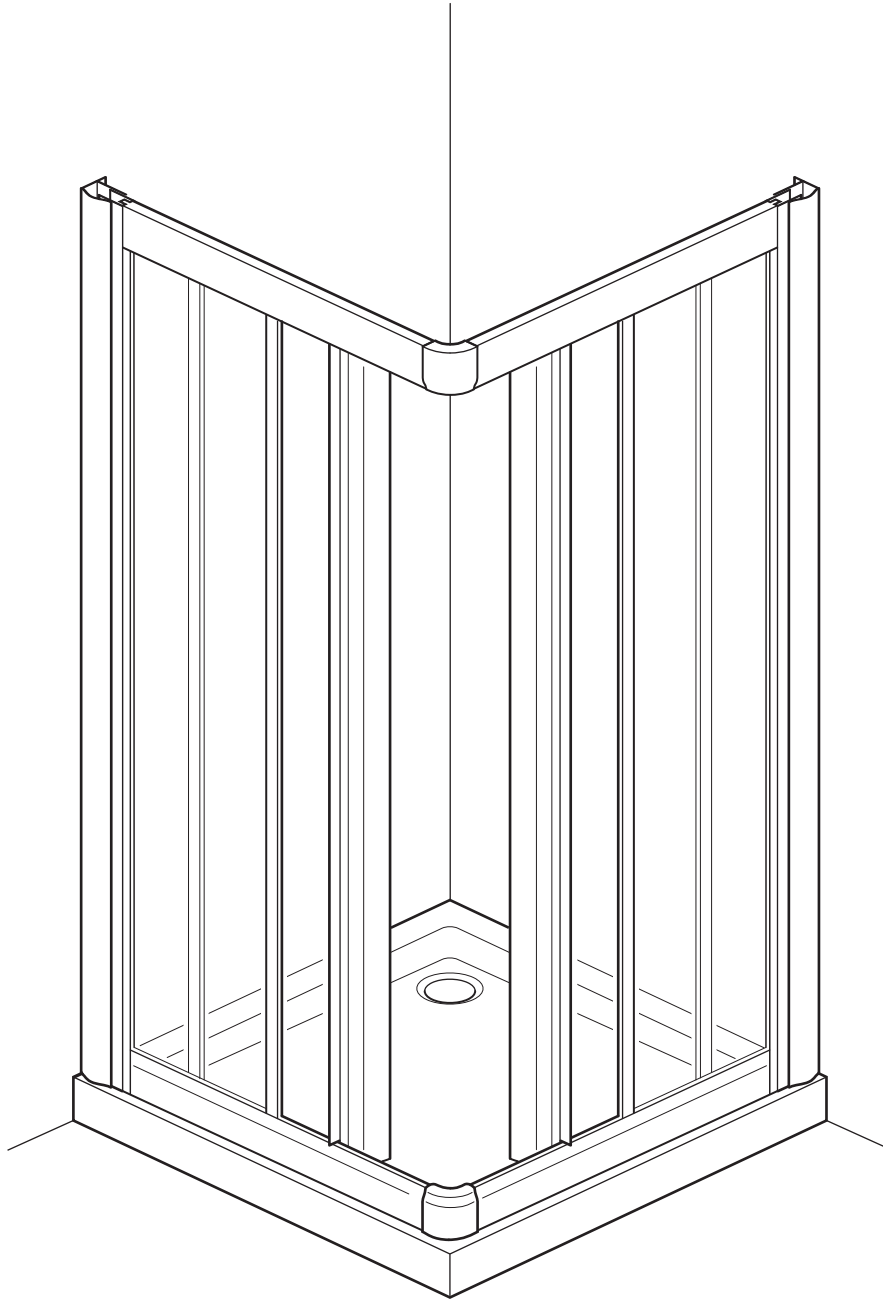


CORNER ENTRY ENCLOSURE

SUPREME



INSTALLATION INSTRUCTIONS

simpsons 

IMPORTANT - Please read before installation

Please read these instructions carefully before starting installation and keep in a safe place for future reference.

Check the contents of the pack carefully before installation. Simpsons will not be held responsible for any de-fit / re-fit costs where faulty product has been fitted.

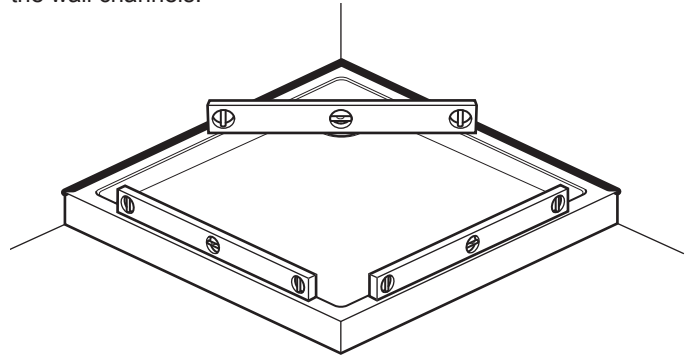
If any fault is found with materials or workmanship, it must be reported immediately to the manufacturer. Remedial action will be taken, based on information received, on condition that: 1. Full details are supplied to the manufacturer; 2. The enclosure has not been modified or tampered with; 3. The manufacturer is informed of any damage/shortages prior to installation.

We do not accept responsibility for any problems that may occur through incorrect installation.

The success of the installation and operation of any shower enclosure is, of course, dependant on the squareness, alignment and construction of the walls to which fixing is to be carried out.

VERY IMPORTANT

You must complete all tiling and grouting, and the shower tray **MUST** be level and fully sealed to the tiles before installation. If you do not fit the enclosure onto a tiled surface, or seal the tiles to the tray before installation, water may soak into the wall behind the wall channels.



INSTALLATION - Advice and safety

All Supreme shower doors and panels are fully assembled and are reversible for left or right hand fitting, simply turn the door or panel up side down.

The Supreme doors come with the two wall channels pushed onto each side of the door frame. The side panels and inline panels do **NOT** come with wall channels, you must use one of the channels from the door.

The installation instructions are based on typical use and conditions.

These hints have been prepared for your guidance, you must exercise due care at all times.

It is recommended that 2 people carry out the installation of this enclosure.

Handle glass with care. Although the glass supplied is toughened safety glass (to EN12150), impacts can damage both the glass and the frame.

Warning! Please check for any hidden pipes or cables before drilling holes in the wall.

To stop the drill bit slipping, masking tape can be applied to the tiles when preparing the holes.

When using power tools always follow the manufacturers user instructions.

Do not sit the enclosure on a bed of silicone, as this will also stop any water from draining back into the tray.

DO NOT SEAL THE ENCLOSURE TO THE TRAY ON THE INSIDE

If the enclosure is sealed to the tray on the inside, any water that may get into the framework will not be able to drain back into the tray, this may cause the enclosure to leak.

Leave the silicone sealant to dry for 24 hours before using the enclosure.

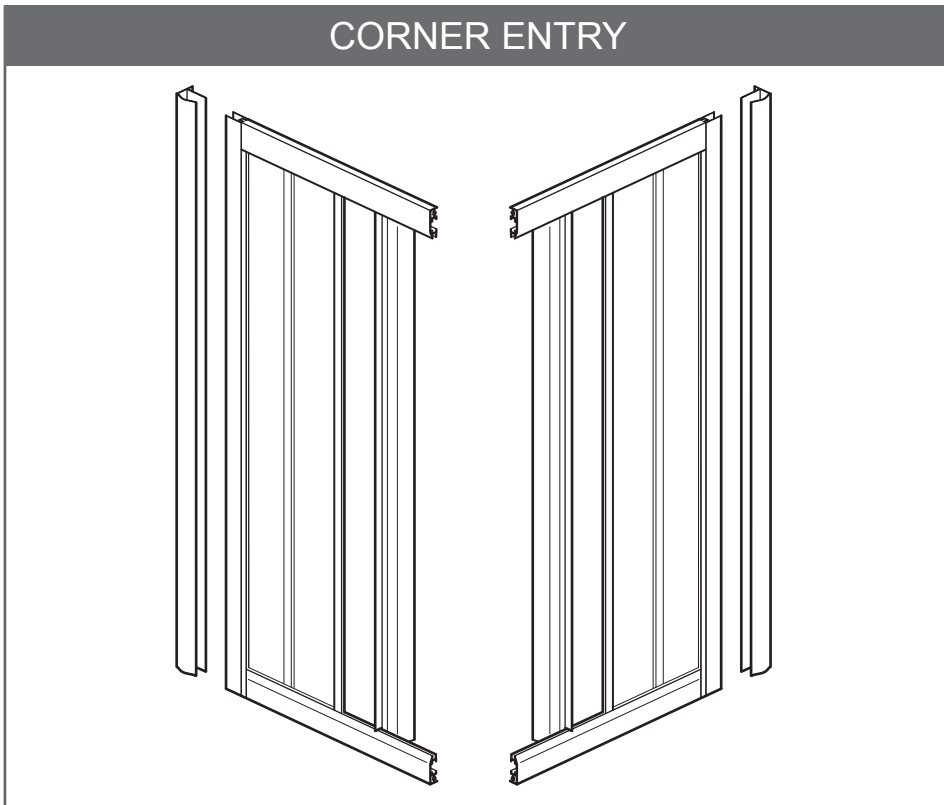
CARE AND CLEANING

Do not use solvents or abrasive materials or chemicals to clean the enclosure.

Only clean using soapy water and a soft cloth, rinse thoroughly afterwards.

Periodically apply silicone grease to the top and bottom tracks.

CONTENTS

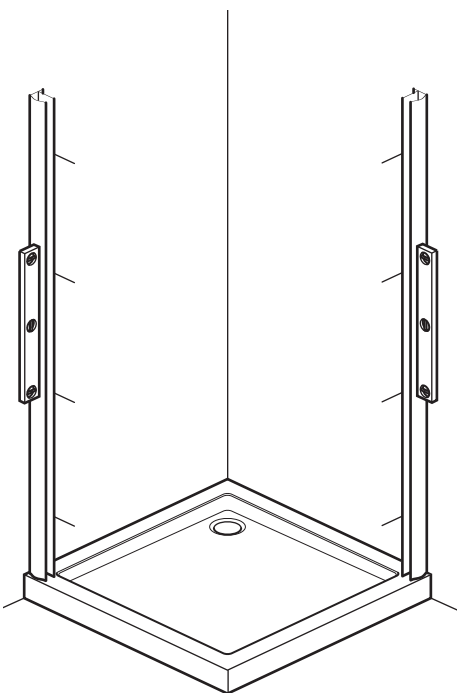


A		10mm Screw x 6
B		25mm Screw x 4
C		38mm Screw x 8
D		Wall plug x 8
E		Corner block x 2
F		Cover cap x 12

Tools and equipment needed

Drill, 6mm Masonry drill bit, 3.5mm & 3mm General drill bits, Phillips screwdriver, 4mm Allen key, Spirit level, Pencil, Sharp knife, Silicone sealant.

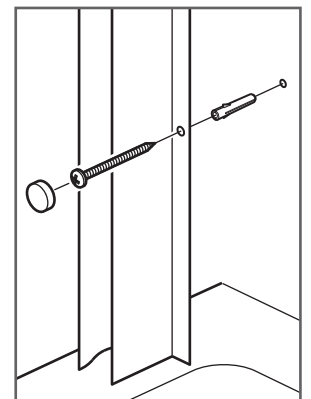
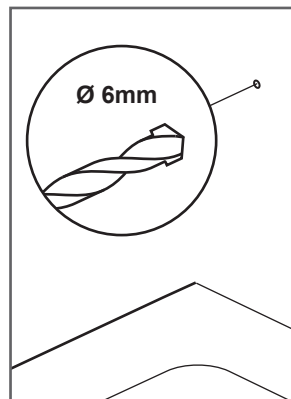
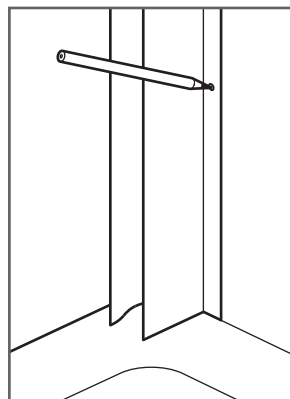
Step 1



Remove both wall channels from each side of the enclosure. Place each wall channel in position on the tray (10 - 15mm in from the outer edges of the tray), use a spirit level to ensure they are vertical and mark all 8 fixing holes onto the walls (holes inside).

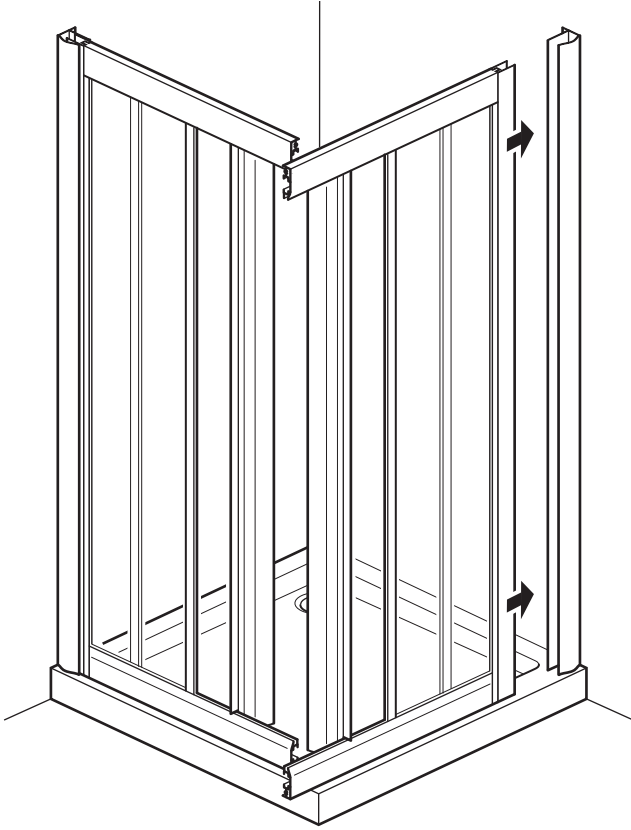
Drill holes in the positions marked using a 6mm masonry drill bit. Insert wall plugs (D) into all of the holes (beyond the thickness of the tile). Fix the wall channels to the wall using 8 x 38mm screws (C) and push on the screw covers (F).

Note: Inject silicone sealant into the holes before inserting the screws to seal the holes.



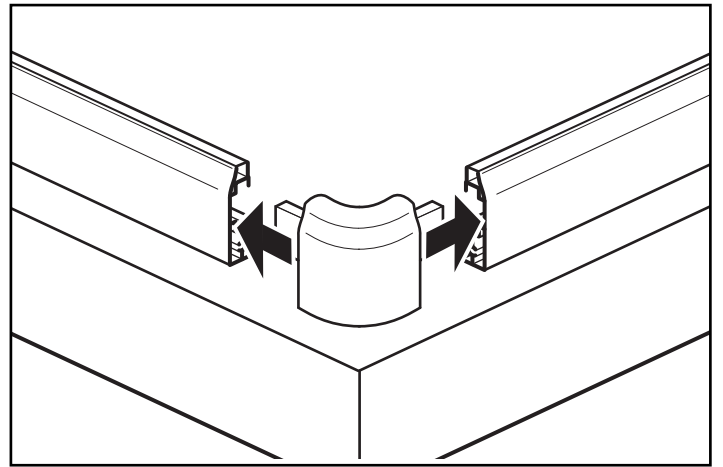
SUPREME CORNER ENTRY ENCLOSURE

Step 2



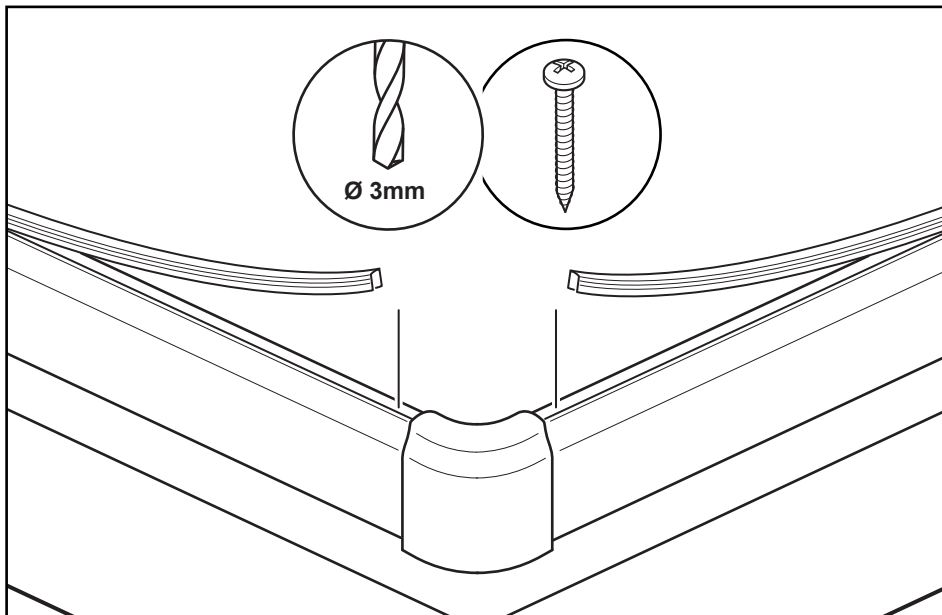
Insert the sides into the wall channels and roughly position on the tray.

Fully push the corner blocks (E) onto the top and bottom tracks of the first side. Position the tracks from the other side onto the other end of the corner blocks and fully insert.



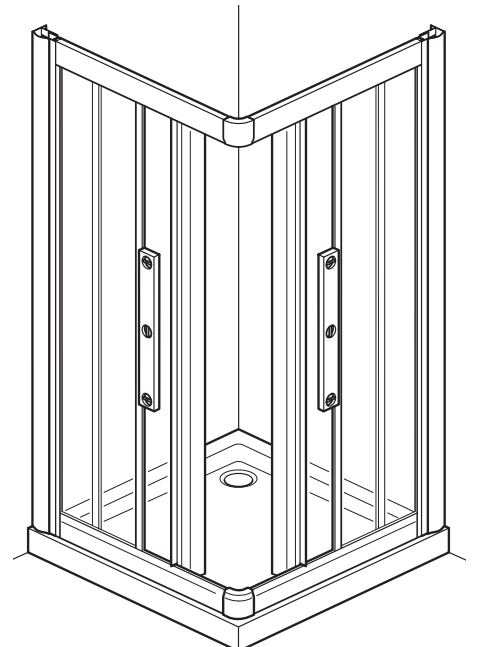
Step 3

Top and bottom. With the corner blocks fully inserted, remove the clear plastic cover strips. Drill through the pre-drilled holes in the tracks into the corner blocks using a 3mm drill bit. Fix the corner blocks in position using the 25mm screws (B). Refit the clear plastic cover strips (trim to fit using a sharp knife if necessary).



Step 4

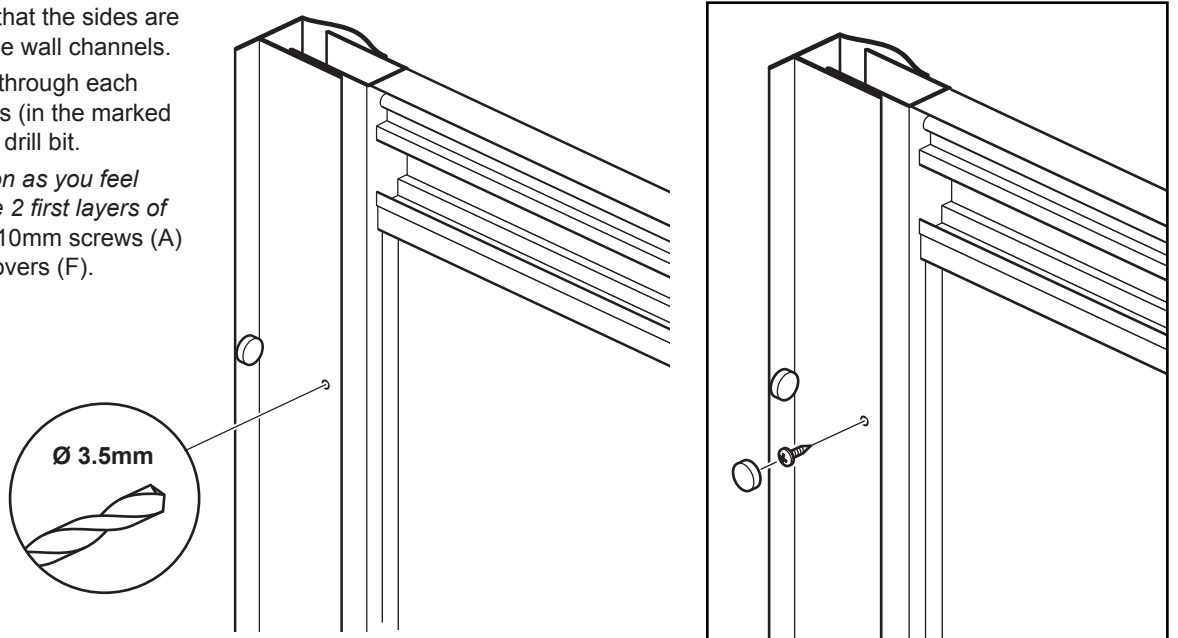
If necessary reposition the enclosure in the wall channels and on the tray so it is sitting evenly and both sides are at 90° to each other.



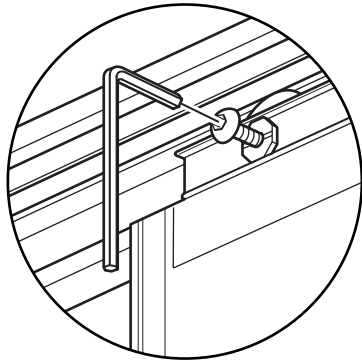
Step 5

Once you have checked that the sides are vertical, fix the sides to the wall channels. From inside, drill 3 holes through each wall channel into the sides (in the marked positions) using a 3.5mm drill bit.

Note: Stop drilling as soon as you feel the drill break through the 2 first layers of aluminium. Fix using 6 x 10mm screws (A) and push on the screw covers (F).



Step 6

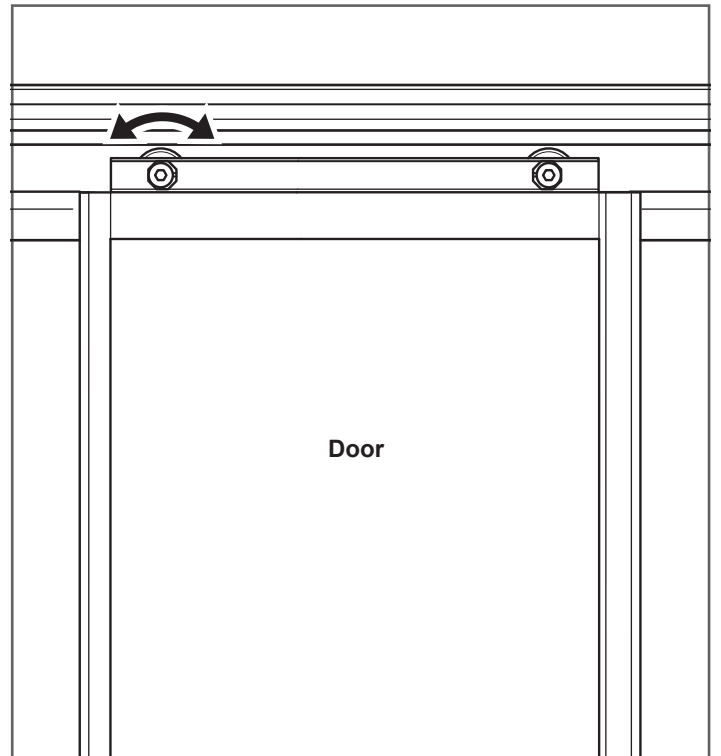


If the doors are not square with the fixed panels or they don't close correctly, one or both of the top sliders should be adjusted.

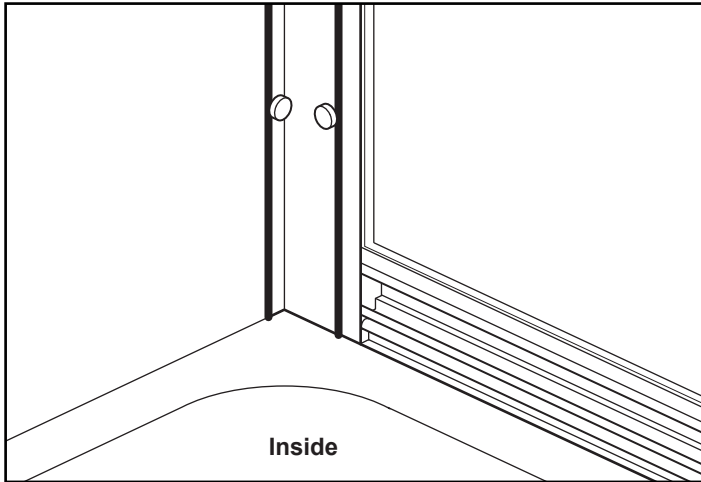
From inside the enclosure, remove ONE of the top allen bolts using a 4mm allen key and rotate the black wheel bush by one flat (1/8 turn). This will lift or lower the door, repeat with the other slider if required.

Note: Rotating each bush by one flat (1/8 turn) will move the door by approximately 4mm.

Note: The black bushes can only be rotated by two flats (1/4 turn) in either direction.



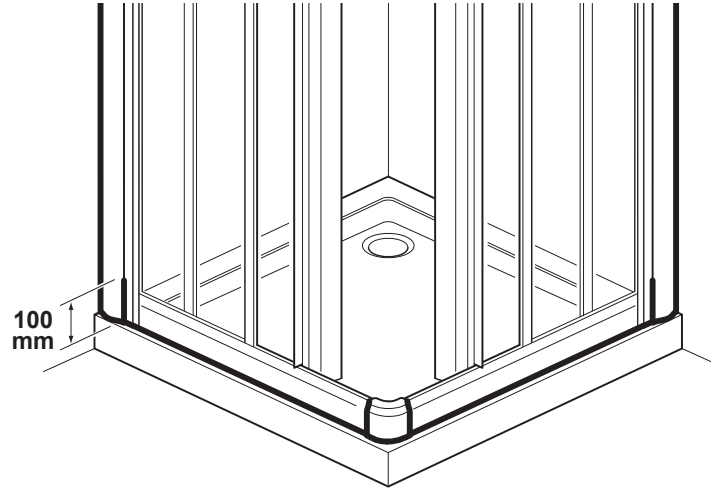
Step 7



Before sealing you must make sure that the doors open and close correctly.

Sealing inside: Run a line of silicone sealant from top to bottom down the joint between the wall channels and tiles. Run a line of silicone sealant from top to bottom down the joint where the side panels slot into the wall channels.

Do not seal the enclosure to the tray on the inside.



Sealing outside: Run a line of silicone sealant from top to bottom down the joint between the wall channels and tiles. Run a line of silicone sealant 100mm up the joint where the side panels slot into the wall channels. Run a line of sealant around the base in the joint between the bottom of the enclosure and the tray, from wall to wall.

simpsons 

For any further information please contact
Simpsons on: **01483 303711**

Or visit our web-site at:
www.simpsons-enclosures.co.uk

The manufacturer reserves the right to make technical
modifications without prior notice.