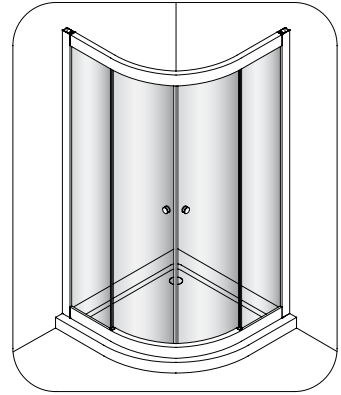
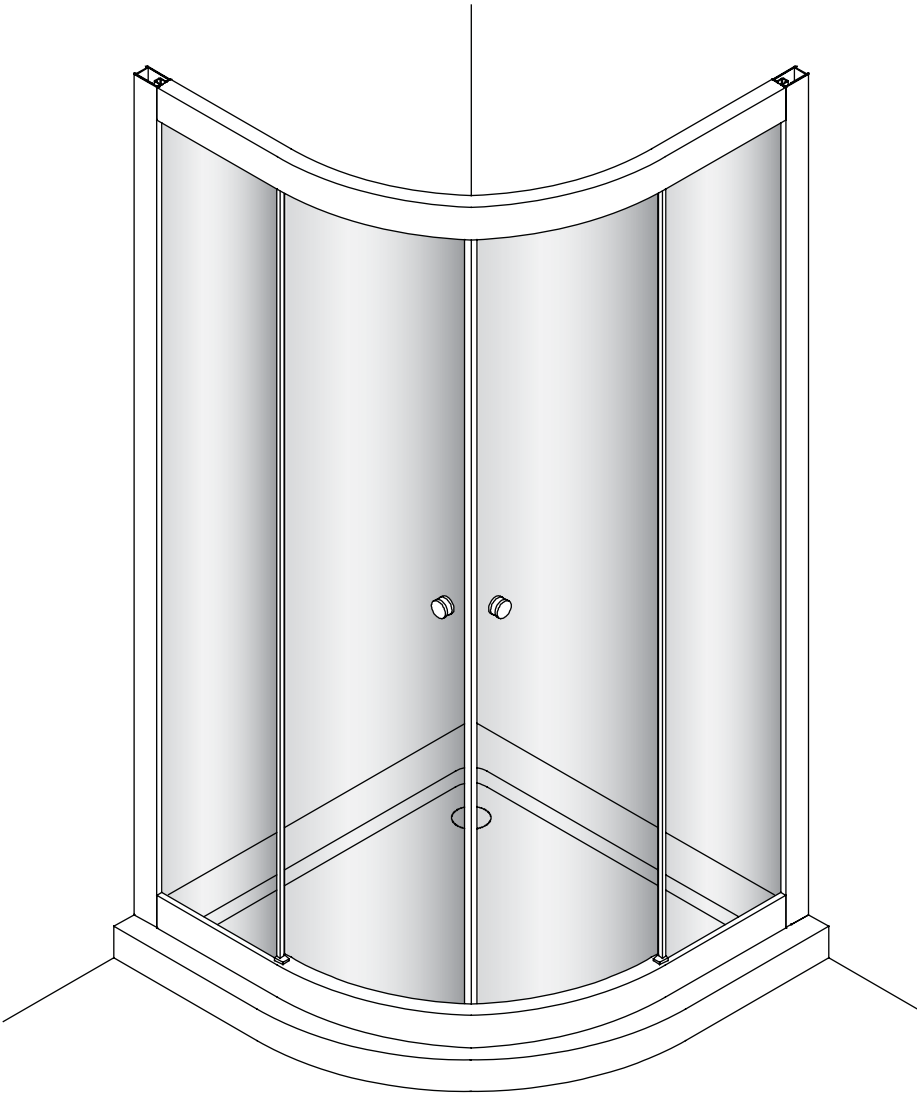
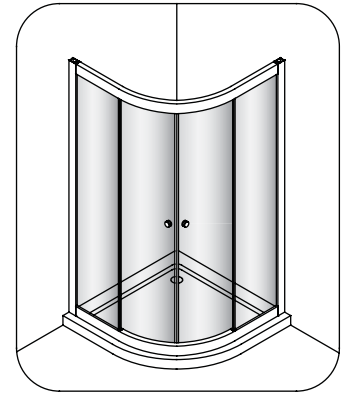


# EDGE QUADRANT DOUBLE DOOR

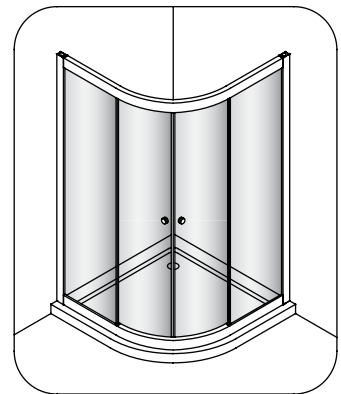
EQDSC0800  
EQDSC0900  
EQDSC1000



800mm x 800mm Quadrant



900mm x 900mm Quadrant



1000mm x 1000mm Quadrant

## INSTALLATION INSTRUCTIONS



## IMPORTANT - Please read before installation

**Please read these instructions carefully before starting installation and keep in a safe place for future reference.**

Check the contents of the pack carefully before installation. Simpsons will not be held responsible for any de-fit / re-fit costs where faulty product has been fitted.

If any fault is found with materials or workmanship, it must be reported immediately to the manufacturer. Remedial action will be taken, based on information received, on condition that:

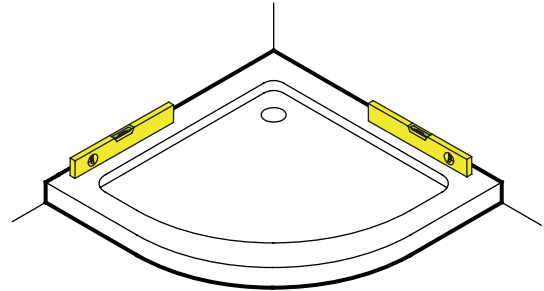
1. Full details are supplied to the manufacturer;
2. The enclosure has not been modified or tampered with;
3. The manufacturer is informed of any damage/shortages prior to installation.

We do not accept responsibility for any problems that may occur through incorrect installation.

The success of the installation and operation of any shower enclosure is, of course, dependant on the squareness, alignment and construction of the walls to which fixing is to be carried out.

### VERY IMPORTANT

You must complete all tiling and grouting, and the shower tray **MUST** be level and fully sealed to the tiles before installation. If you do not fit the enclosure onto a tiled surface, or seal the tiles to the tray before installation, water may soak into the wall behind the wall profiles.



## INSTALLATION - Advice and safety

The installation instructions are based on typical use and conditions.

These products come with the two wall channels pushed onto each side of the glass panel frame.

These hints have been prepared for your guidance, you must exercise due care at all times.

For Health and Safety 2 people must carry out the installation of this enclosure.

Handle glass with care. Although the glass supplied is toughened safety glass (EN12150), impacts can damage both the glass and the frame.

### Warning!

Please check for any hidden pipes or cables before drilling holes in the wall.

To stop the drill bit slipping, masking tape can be applied to the tiles when preparing the holes.

When using power tools always follow the manufacturers user instructions.

Do not sit the enclosure on a bed of silicone, as this will also stop any water from draining back into the tray.

If the enclosure is sealed to the tray on the inside, any water that may get into the framework will not be able to drain back into the tray, this may cause the enclosure to leak.

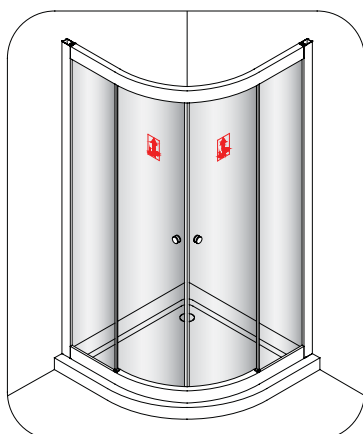
Leave the silicone sealant to dry for 24 hours before using the enclosure.

## CARE AND CLEANING

Do not use solvents or abrasive material or chemicals to clean the enclosure.

Only clean using soapy water and a soft cloth, rinse thoroughly afterwards.

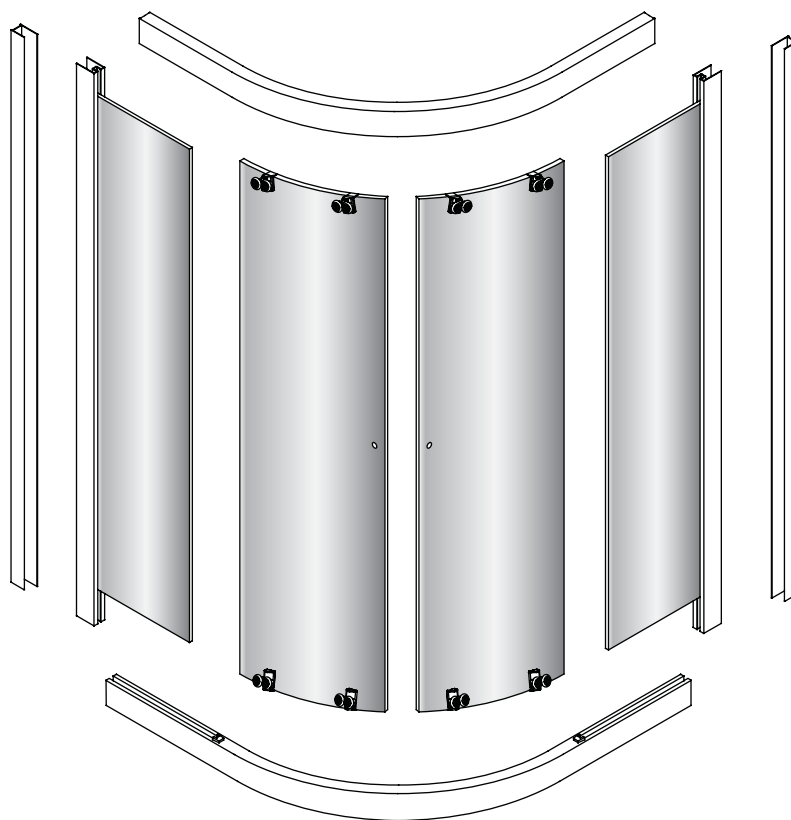
## INSTALLATION




- The "up" arrow on the sliding door should be above, and be on the outside of the enclosure.

# CONTENTS

## QUADRANT DOUBLE DOOR




**A**  M4 \*50mm Screw x 6

**B**  Wall Plug x 6


**C**  M4 \*12mm Screw x 6

**D**  Washer x 6

**E**  Cover x 6


**F**  M4 \*30mm Screw x 8

**G**  Magnetic strip x 2

**H**  Handle x 2

**I**  Waterproof strip x 2

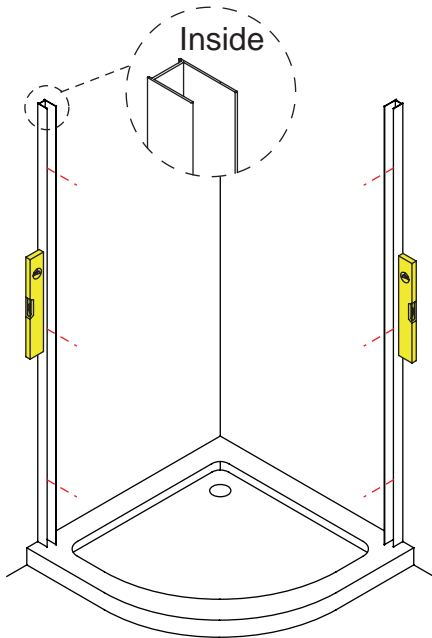
**J**  Waterproof strip x 2

**K**  Spanner x 1

### Tools and equipment needed

Drill, 6mm Masonry drill bit, 3.0mm General drill bit, Philips screwdriver, Spirit level, Pencil, Tape measure, Silicone sealant.

## Step 1 - FITTING AND POSITIONING WALL CHANNEL

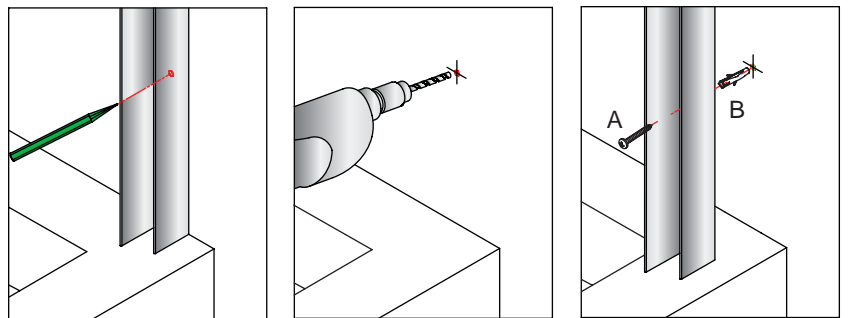


Remove both wall channels from the glass panel frame. **Note:** Ensure the longer leg of each wall channel is on the inside of the enclosure when fixing. Place each wall channel in position on the tray (10 - 15mm in from the outer edge of the tray), use a spirit level to ensure that they are vertical and mark all 6 fixing holes onto the wall.

Drill holes in the positions marked using a 6mm masonry drill bit. Insert wall plugs (B) into all of the holes (beyond the thickness of the tile).

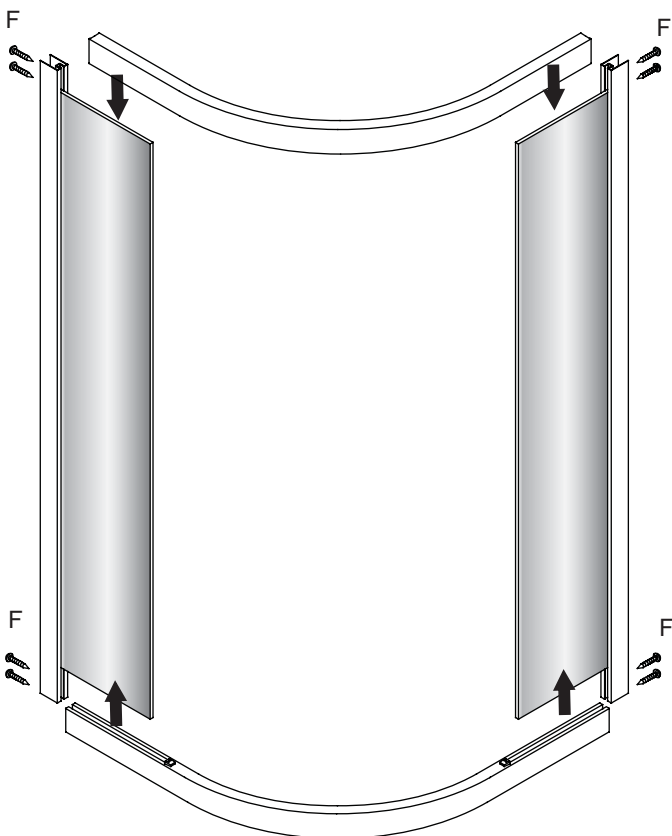
Fix the wall channels to the wall using 6 screws (A).

**Note:** Inject silicone sealant into the holes before inserting the screws to seal the holes.



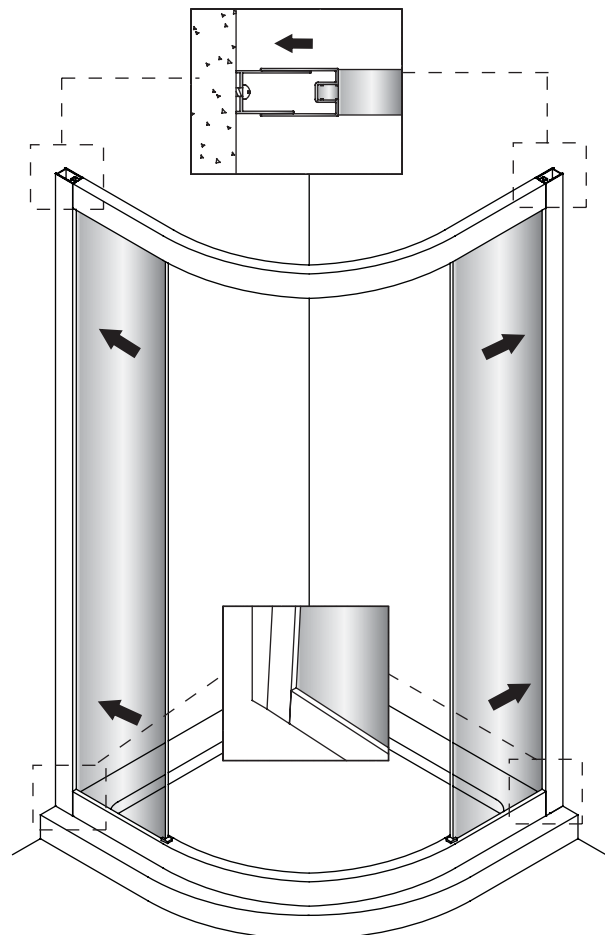
## Step 2

Assemble the enclosure using the screws (F).



## Step 3

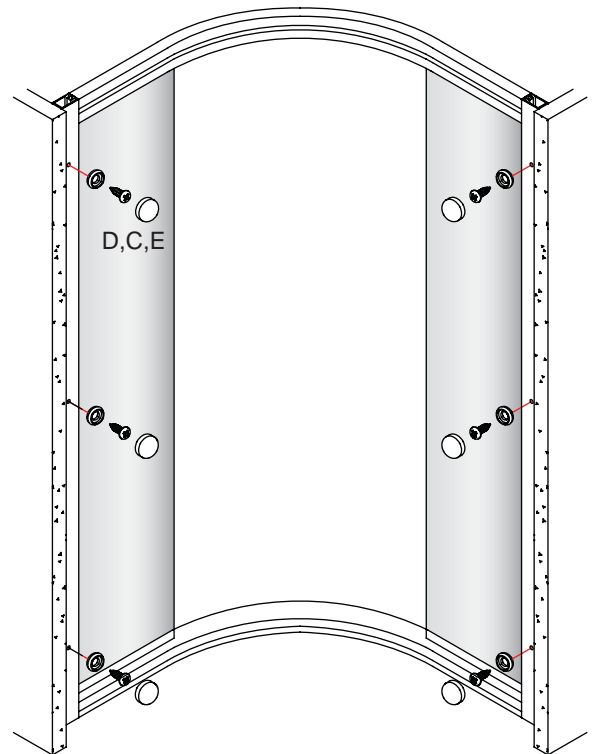
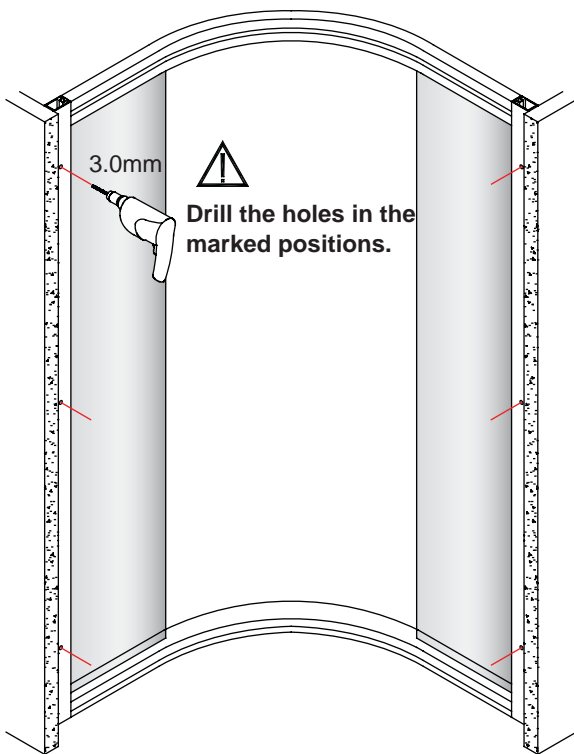
Push the glass panel frames onto the wall channels.



## Step 4

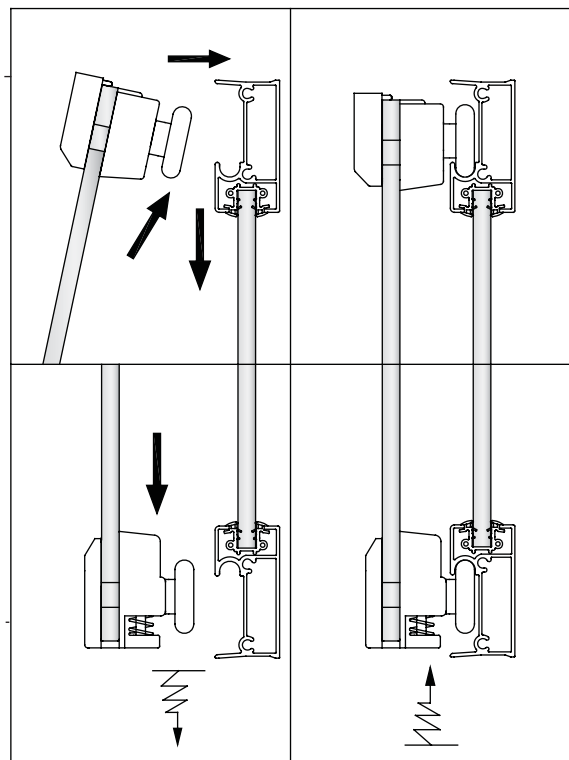
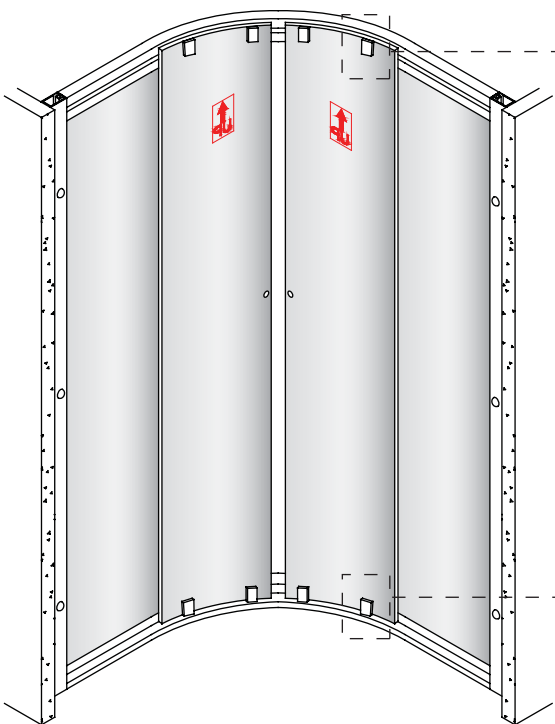
Once you have checked that the glass panel frames centred between the wall channels and also sit horizontally and vertically, fix the glass panel frames to the wall channels.

From inside, drill 3 holes through the glass panel frame ( **in the marked positions**) into the wall channels using a 3.0mm drill bit . Fix using washers (D), screws (C) and push on the screw covers (E).



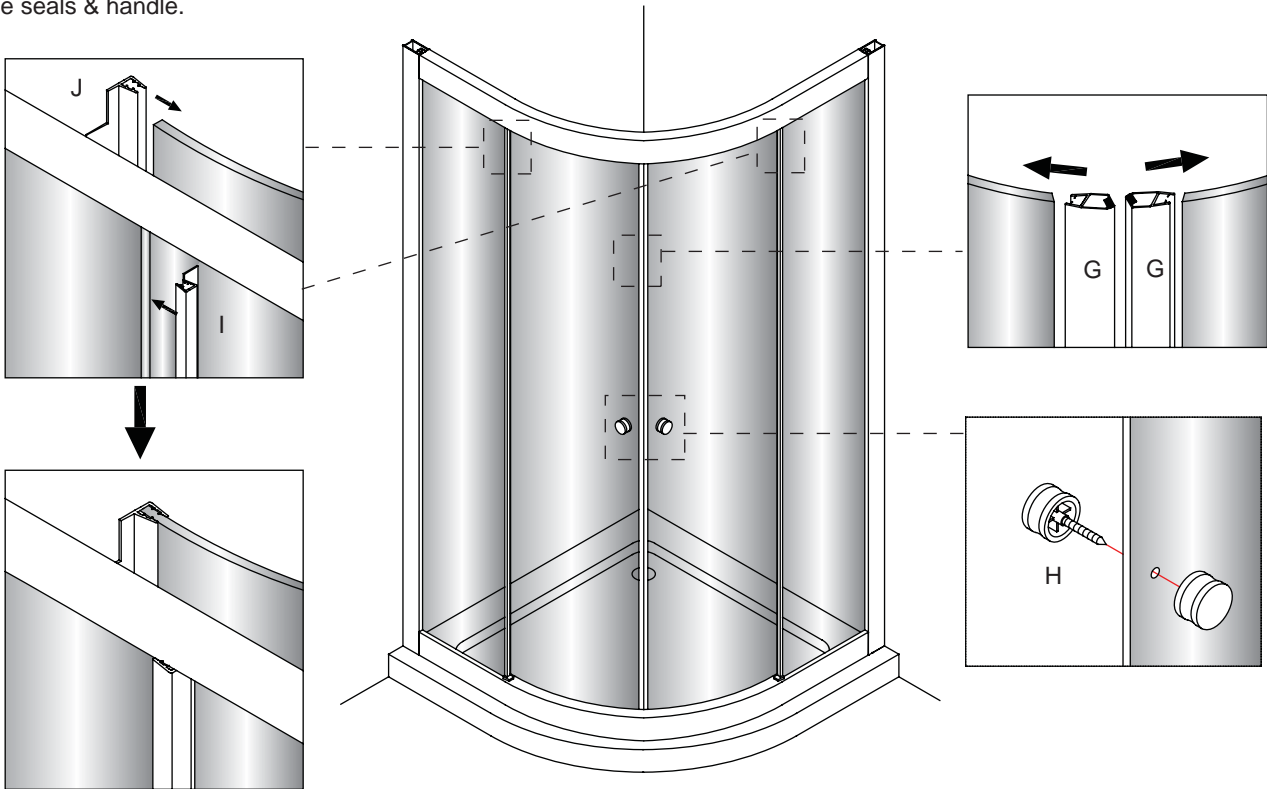
## Step 5

Firstly mount the top roller to the track, then press down the bottom roller to make it into the bottom track.



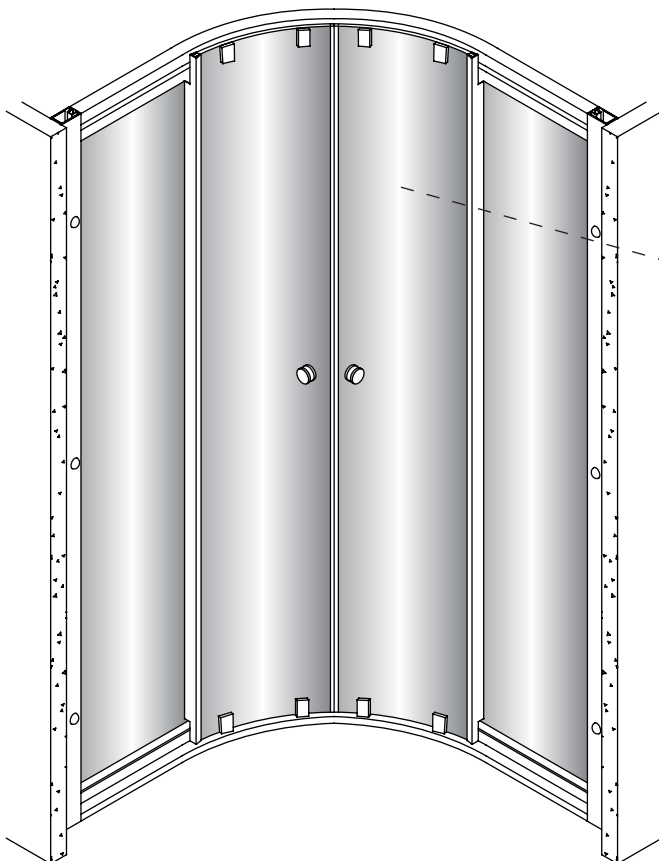
## Step 6

Fix the seals & handle.



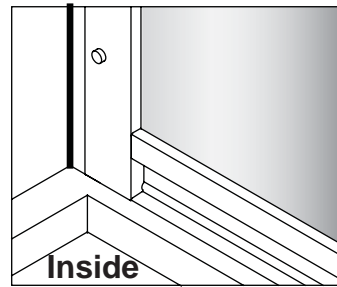
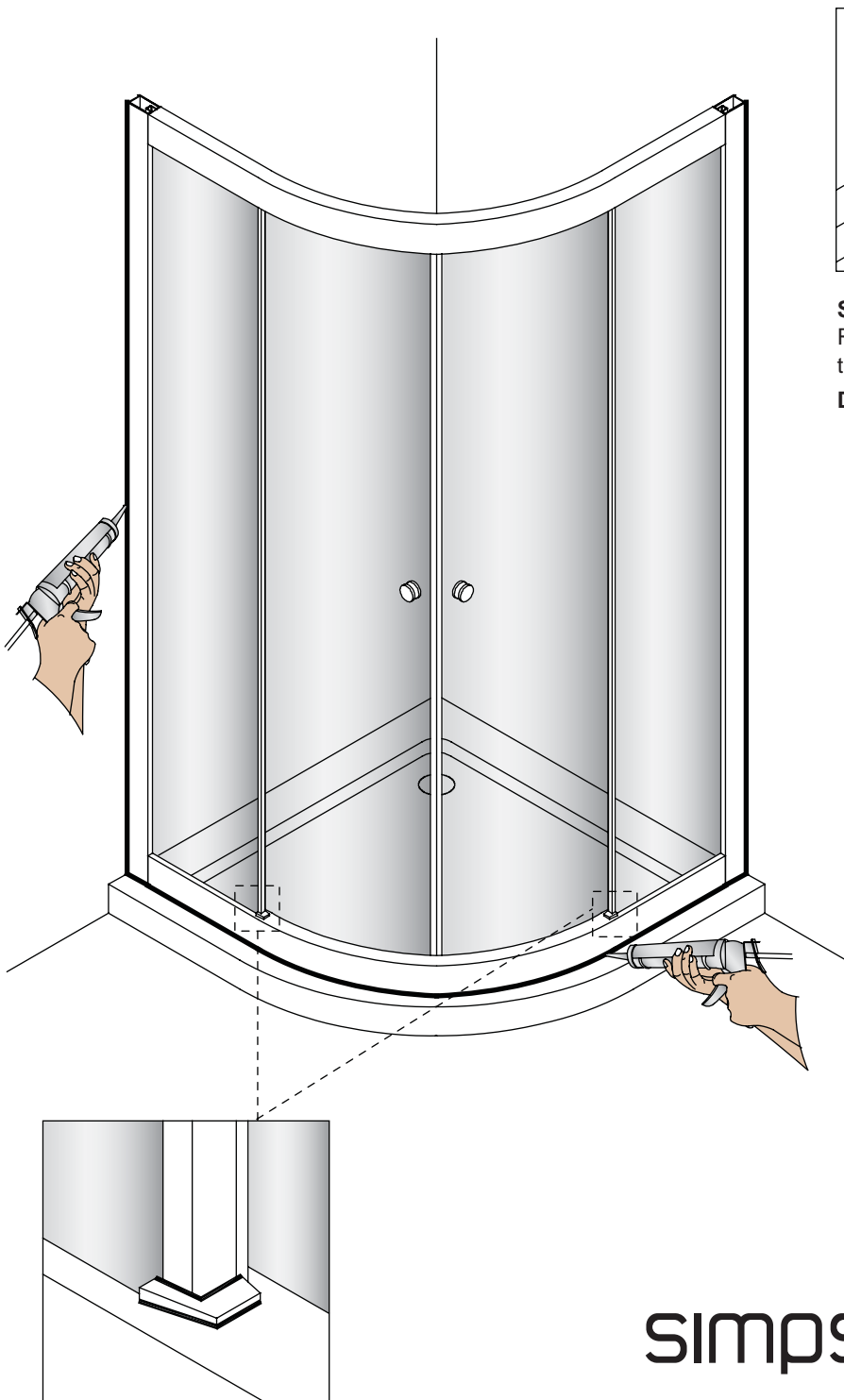
Only adjustment is required.

Please check that if the sliding door is skew or it can not work perfectly. Loosen the top roller and adjust the sliding door for fitness. The nut of top roller must be tighten after having adjusted the sliding door vertical and make it work perfectly.



Breakdowns	Resolution

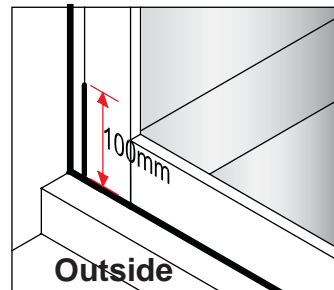
## Step 7



### Sealing inside:

Run a line of silicone sealant from top to bottom down the joint between the wall channels and tiles.

**Do not seal the enclosure to the tray on the inside.**



### Sealing Outside:

Run a line of silicone sealant from top to bottom down the joint between the wall channels and tiles.

**Note:** If required you can also run a line of silicone sealant 100mm up the joint where the door slots onto the wall channels.



# simpsons

For any further information please contact  
Simpsons on: **0845 873 5808**

Or visit our web-site at  
[www.simpsons-enclosures.co.uk](http://www.simpsons-enclosures.co.uk)

The manufacturer reserves the right to make technical  
modifications without prior notice.