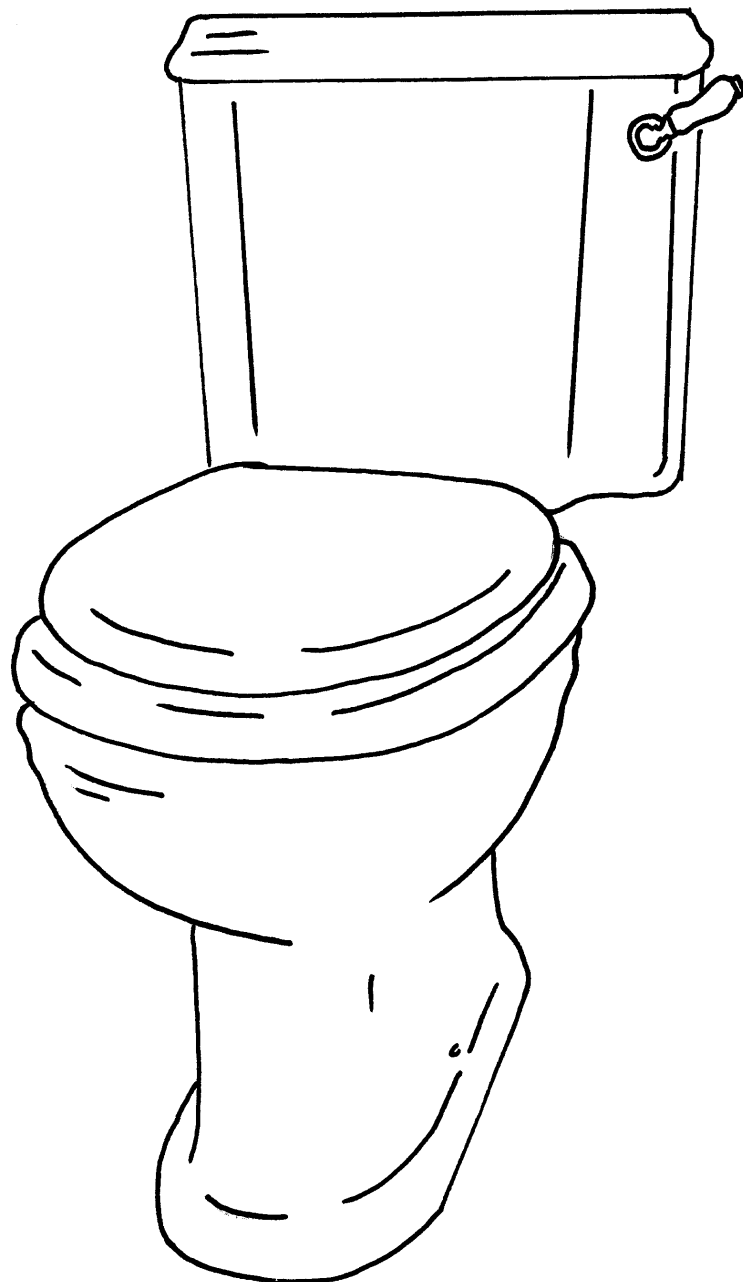


SILVERDALE
GREAT BRITAIN

Close Coupled Siphon W.C

INSTALLATION INSTRUCTIONS



Installation Instructions

GENERAL INFORMATION:

ON RECEIPT OR YOUR W.C SUITE:

Please inspect all ceramic items for transit damage prior to installation. Do not attempt to install damaged items, contact your supplier.

PRIOR TO INSTALLATION:

We recommend that your W.C suite be connected to a mains water supply. If the cistern fill rate proves to be unsatisfactory, we advise that the restrictor be removed from the inlet valve assembly as illustrated in the care and maintenance section. Please ensure that you have the correct type of soil pipe connector for your installation and that your top flush valve kit is complete.

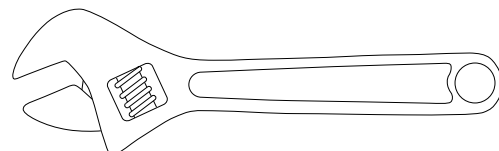
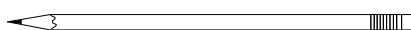
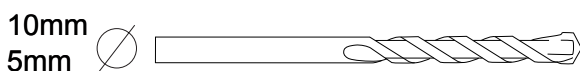
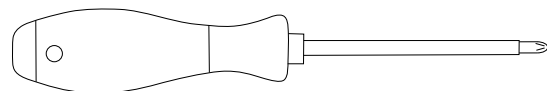
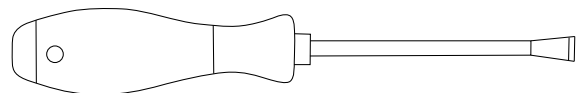
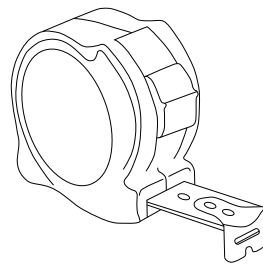
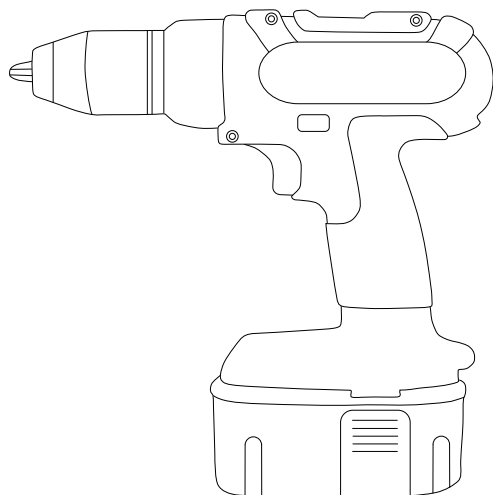
WARRANTIES:

Cistern internals – 5 years from purchase date (excludes rubber seals)

Ceramic items – lifetime

IMPORTANT:

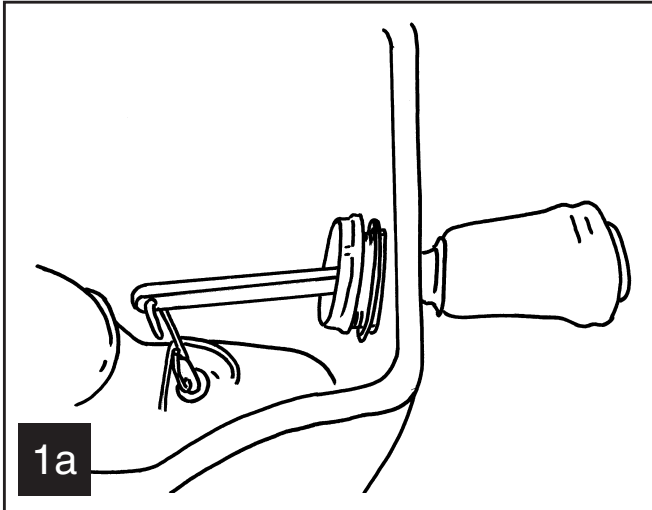
PLEASE LEAVE THIS INSTRUCTION MANUAL WITH THE END USER ONCE THE PRODUCT HAS BEEN INSTALLED.



Tools required.

Installation Instructions

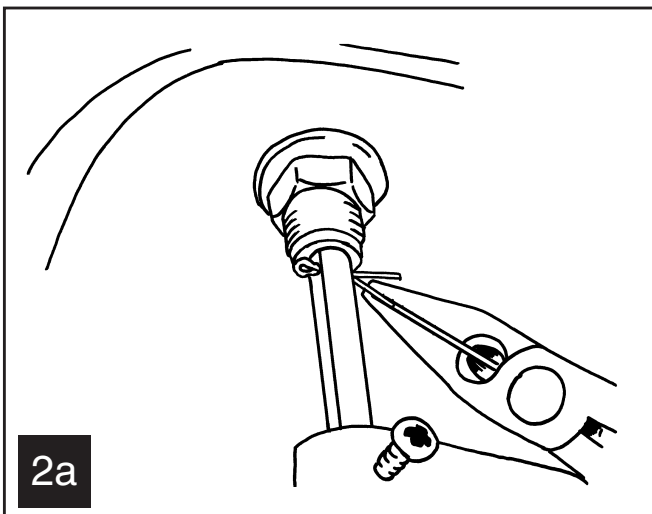
Identify the lever that your cistern requires and assemble as per instructions



Side Lever

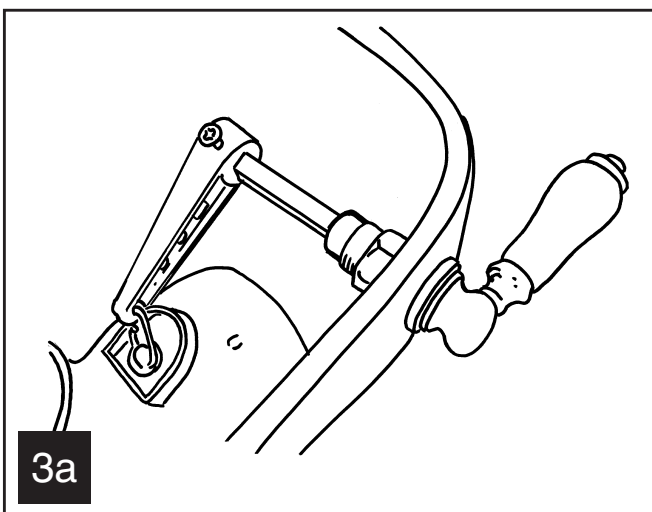
Pass the lever through the hole in the cistern
Slide the siphon link through the hole in the lever
Tighten the nut to secure ensuring parallel

1b



Remove the split pin and washer from the assembly using pliers

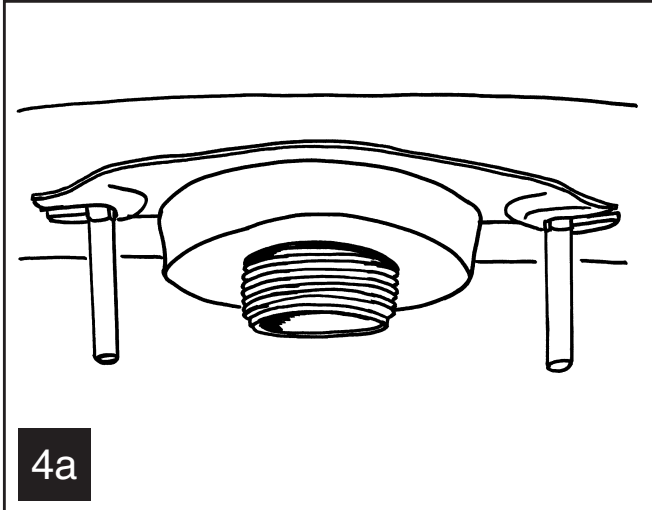
2b



Slide lever through the lever hole in the cistern and tighten the bush on the inside of the fitting.
Place the siphon link through the lift arm and slide the lift arm onto the shaft of the lever.
Replace the split pin and washer

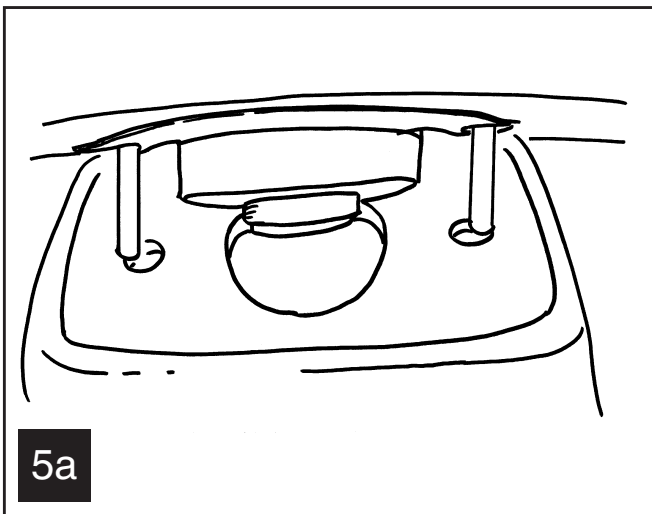
3b

Installation Instructions



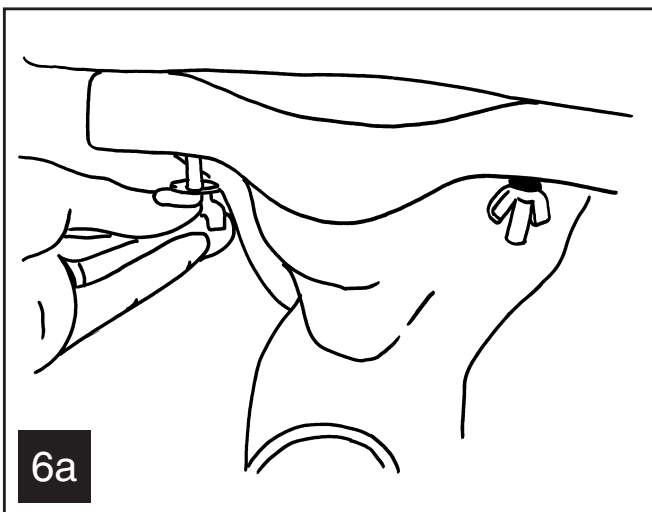
Place the two bolts into the slots as shown and place the seal into position on the siphon tail.

4b



Gently lower the cistern onto the pan.

5b



Tighten using the washer followed by the wing nut. Secure ensuring the seal is not fouled or trapped in a way that would cause a leak.

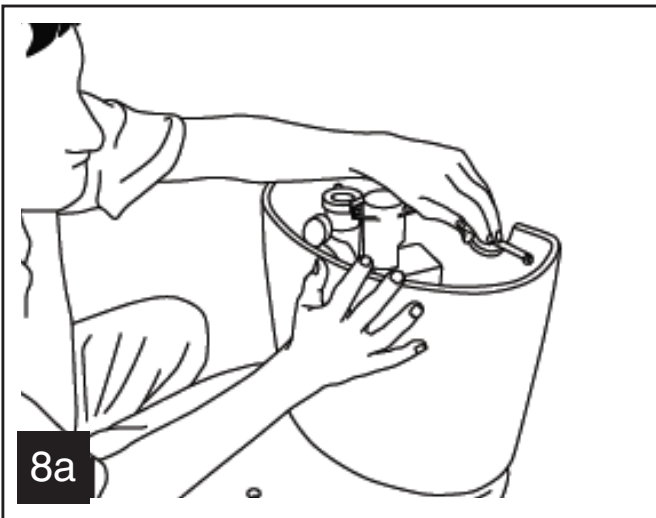
6b

Installation Instructions



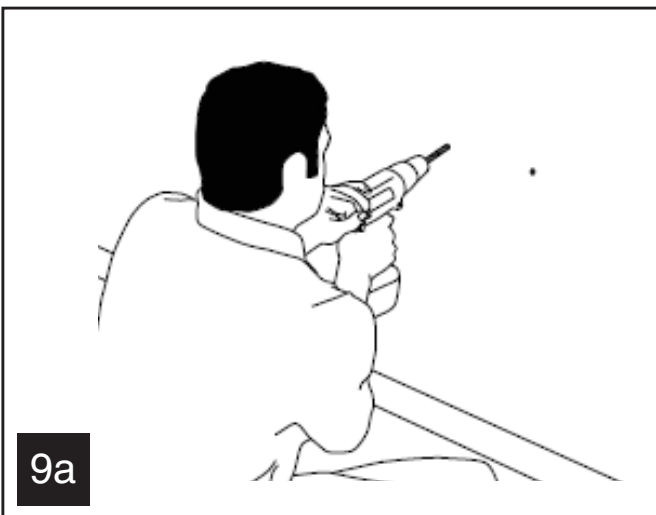
Position the close-coupled pan in the desired location against the wall and align with water supply and outlet connections. If required consult a plumber to ensure correct fixing and to prevent leaks after installation.

7b



Mark the two wall fixing holes inside the cistern body, ensuring that the cistern body is still correctly aligned on the pan. Then mark the floor fixing positions aswell on the floor.

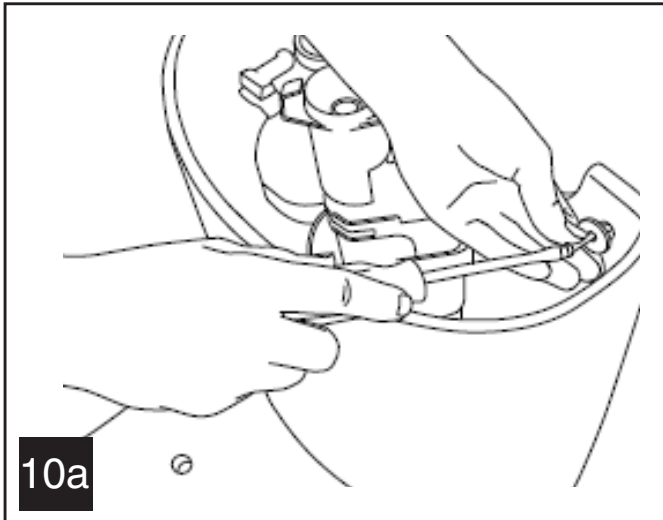
8b



Locate the wall fixing kit and using a 5mm bit, drill the wall where the cistern body will be secured. Plug these two holes with the plugs provided (or more appropriate fixings if required).

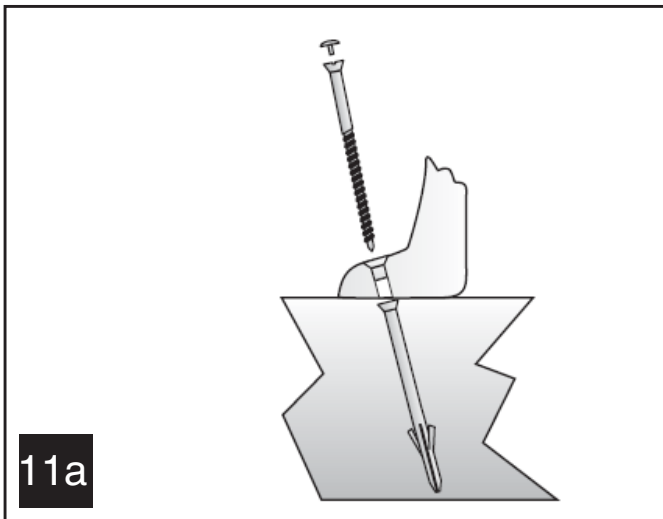
9b

Installation Instructions



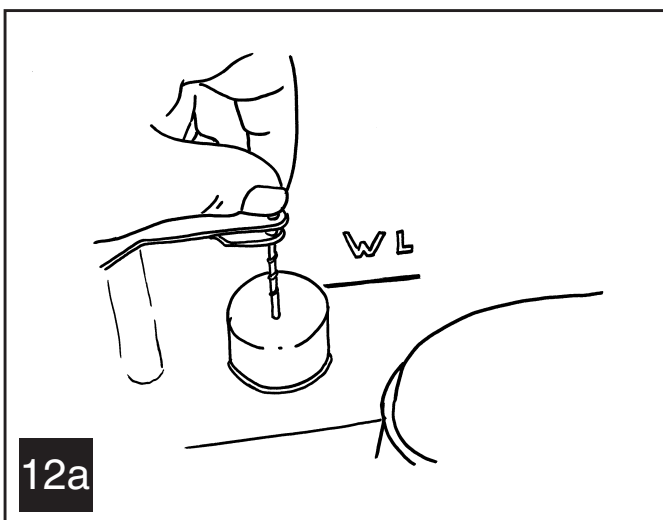
Drive the screws into the wall plugs to hold the cistern body in place.

10b



Drill and plug the holes with a 7mm drill.
Replace the pan and assemble as shown.
Make the appropriate plumbing connections to waste outlet and cistern supply

11b



Adjust the float to set the waterline.
Flush the WC once, check for leaks and ensure water line is correct.

12b



Silverdale Bathrooms

UK Manufacturers of Luxury Ceramic Brands

Silverdale Road Newcastle under Lyme Staffordshire ST5 6EL

Tel: 01782 717175
Facsimile: 01782 717166
Email: sales@silverdalebathrooms.co.uk
WEB: www.silverdalebathrooms.co.uk