



INSTALLATION INSTRUCTIONS

This leaflet must be read thoroughly
before commencing installation

Showerswall

Stylish and elegant waterproof panelling system



Scan for more information

Showerwall is the ultimate versatile easy to fit waterproof **panelling system**, with a moisture resistant MDF or Plywood core and surfaced in high pressure laminate, designed to deliver a smooth, tough, hard-wearing, stain-resistant and totally hygienic surface.

Installer Responsibility

Prior to commencing installation please carefully read this installation booklet in full paying particular attention to the do's and dont's.

IMPORTANT:

It is important that you follow and adhere to all of the instructions to ensure the most effective use of the product. To maintain the validity of your guarantee you **MUST** follow the installation instructions provided. Failure to do this will make all aspects of the guarantee invalid.

If there is any aspect of your particular installation that these instructions do not cover please clarify any queries **before** commencing your installation.

Your particular installation may require specific procedures and adjustments.

Do's and Dont's

✓ PLEASE DO

- ✓ **DO** always store Showerwall panels flat to prevent bowing.
- ✓ **DO** acclimatise the panels and accessories for 24 hours prior to installation in normal heated/dry conditions.
- ✓ **DO** use the Showerwall sealant and adhesive products.
- ✓ **DO** ensure the Showerwall sealant is applied correctly at all stated points.
- ✓ **DO** closely inspect each panel for manufacturing / material surface defects prior to and during installation.
- ✓ **DO** give the enclosed owner guarantee registration documents to the owner of the property.

Should you find any defects, do not continue the installation and refer your concerns to your supplier immediately who will assist with the problem.

X PLEASE DON'T

- X **DON'T** store the panels outside or in wet / humid conditions.
- X **DON'T** store the panels propped against a wall on edge or end.
- X **DON'T** fit tongue and groove panels directly to the wall or ceramic tiles. A batten timber frame system must be installed onto the wall surface prior to fixing tongue and groove panels.
- X **DON'T** use abrasive cleaners and bleaches to clean the panels.
- X **DON'T** fit Showerwall panels without correctly sealing every joint.
- X **DON'T** throw away the owner guarantee registration documents.

NOTE: Within the product packaging is an envelope for the attention of the property owner, containing the product guarantee registration card and care and maintenance sheet.
● Please ensure this envelope is given to the property owner.

Before you start

These instructions are for a typical 2 sided shower installation.

Refer to the additional info for 3 sided or full wall lining installations.

CHECK CONTENTS:

Where a Showerwall installation kit has been purchased check the items in the kit system you have received against the list of contents contained in the kit and check that all items are of acceptable quality to use. Showerwall installation kits are solely for use when installing a 2 sided panel system. For a 3 sided installation further accessories will be required.

In the unlikely event that any items are not present, please contact your Showerwall retailer immediately, Showerwall will not be responsible for any claims for labour or downtime costs in such circumstances.

CHECK APPEARANCE:

Panels are supplied boxed. Always check for any visual defects prior to installation. Any claim for visual defects present in the panels after fitting will not be covered by the associated guarantee.

The panel face protective film should always be removed prior to installation so that the surface can be appropriately checked.

Due to the printing process involved, slight colour variations may be found between panels and if so are not grounds for complaint.

NOTE: Patterns are random unmatched.

- Once the panels have been installed they are deemed to be acceptable in relation to any visual defects.

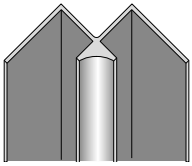
A guide to installation is available to view via the Showerwall website via the QR code on the front cover. However, the video is a guide only, these instructions must be used for the actual installation.

Components Available

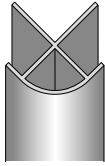
Ensure you have all components required for your particular installation.

- SHOWERWALL PANELS OF CHOICE
- PANEL EDGE TRIMS

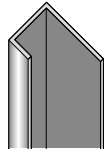
A. Internal Corner



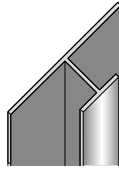
B. External Corner



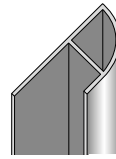
C. End Trim



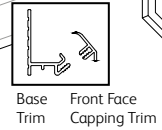
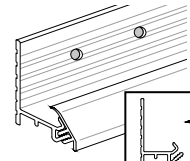
D. Joining Trim



E. Quadrant Trim



F. Sureseal Strip



G. Showerwall Profiler



Showerwall Adhesive, Sealants and Cleaners

Required for installation and maintenance of your Showerwall panelling.

It is recommended that Showerwall's own brand of adhesive, sealants and cleaner should be used for the effective fitting, sealing and maintenance of your Showerwall system.

REQUIREMENTS:

For a 1000mm wide panel, use 1 cartridge of Showerwall adhesive for fixing the panel to your wall and 2 cartridges of Showerwall sealant for sealing the edges of the panel and when using Sureseal strip.

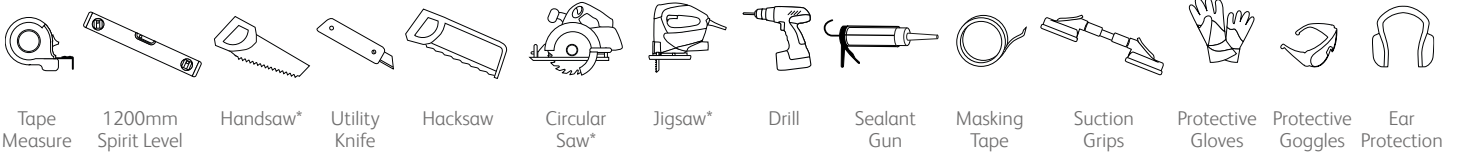
- **Showerwall Adhesive**
High bond strength synthetic rubber / resin mix panel adhesive.
- **Showerwall Sealant**
Fast curing, low modulus, easy to smooth wall panel and sanitaryware sealant.
- **Showerwall Superclean**
A non abrasive, pH neutral, sterilising, streak free cleaner.

The use of any alternative products may invalidate your guarantee.

NOTE: Where the Sureseal strip is not used, exposed bottom edge sealants may need to be replaced periodically, and or as necessary dependant upon shower usage and normal sealant degrade and is a normal, good maintenance procedure.

Failure to maintain any exposed sealants as necessary may result in water ingress into the panel core and subsequent panel damage which is not covered by the product guarantee.

RECOMMENDED TOOLS FOR INSTALLATION



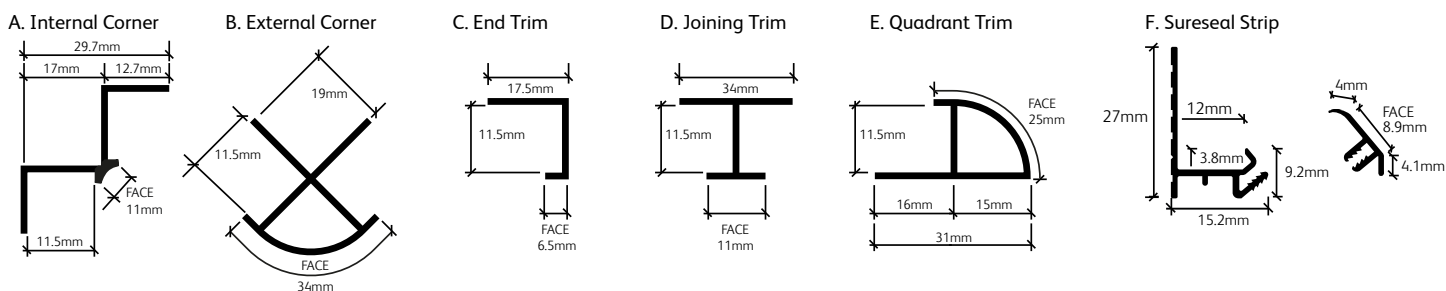
Ensure all tools are used safely and correctly and appropriate safety wear such as gloves, eye and ear protection are used.

* Fine toothed blade

SECTION 1

Measuring - Marking Out and Cutting Panels

Check all panels before cutting and during installation for any visible defects. Once the panels have been cut they have been deemed acceptable for installation.



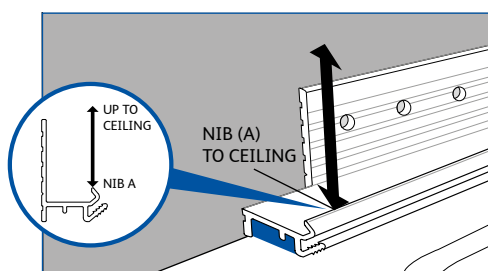
The above drawings are not to scale.
Trim dimensions and thickness tolerance +/- 0.15mm

Showerwall panels have sharp corners and edges - therefore gloves should be worn at all times when carrying, handling and fitting panels. Appropriate Personal Protection Equipment such as safety eyewear should be worn when cutting the panels.

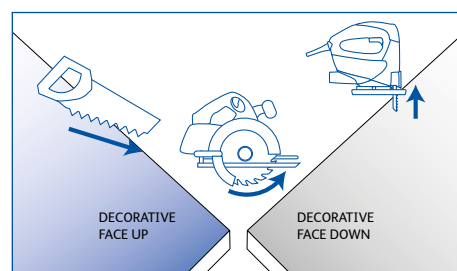
Note: Always consider and allow for the above Showerwall trim dimensions when cutting the panelling to size.

Measure and mark your required cutting line.

If your panels are to be installed full height to ceiling level, cut the height of the panel to allow a 3mm expansion gap at the ceiling point which will be filled with Showerwall sealant on completion of the installation.



When using Sureseal the height of the panel should be taken from the top of the nib of the base trim (A) to the ceiling. This will allow the necessary clearance to install the panels and to accommodate the required 3mm gap at the top of the panel for sealant.

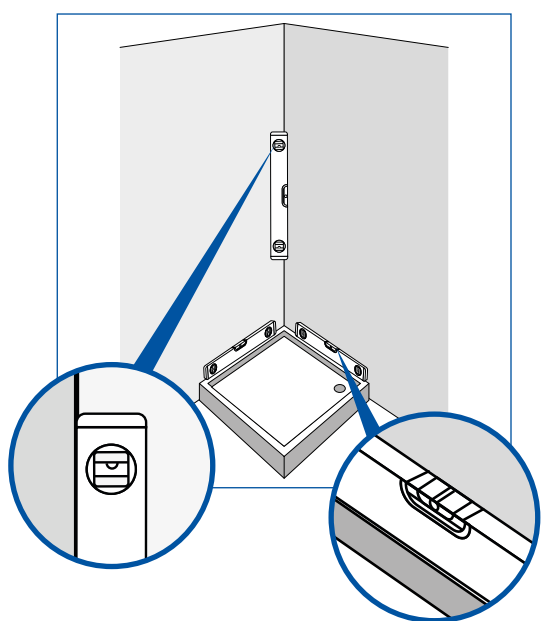


When using a fine-tooth blade handsaw, panels should be cut decorative face up.

When using a jigsaw or circular saw with an upward cutting blade, the panels should be cut from the back, decorative face down to prevent chipping of the laminate surface.

Note: Ensure your tool blade always cuts into the decorative face to avoid chipping the laminate surface.

Wall Preparation - Square Edge Panels



FIXING SQUARE EDGE PANELS TO TILES, PLASTERBOARD OR PLASTERED WALL (For tongue and groove panels please see section 5 on timber batten installation method.)

If fixing square edge panels to the walls without timber battens it is essential that all walls are sound, plumb, completely dry, dust free and clean before applying the Showerwall panels.

Any source of dampness MUST be treated before fixing. If fixing direct to a tiled surface it must be sound and degreased first.

Note: Showerwall sealant must be used as the fixing adhesive when sticking the panels to decorative wall tiles.

Check the walls carefully for high spots and remove any tiles or fittings that may interfere with the Showerwall panels or may create a wavy result when the panel is installed. Loose or unsound tiles should be removed before fitting Showerwall panelling.

Ensure the shower tray is also located level using a spirit level.

If the walls are uneven and out of plumb battens must be installed as a frame support system. When fitting battens it must be ensured that they are fixed level, plumb and square as detailed in the wall panel preparation tongue and groove section.

Any unsound / out of plumb tiled, plastered wall should have appropriate remedial work conducted to ensure the substrate meets the set standard for the installation as stated previously.

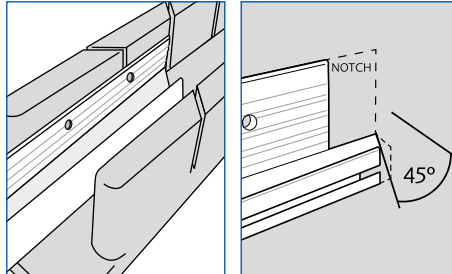
Fixing the Sureseal System - Installation Utilising Sureseal strip.

If you are not using the Sureseal strip please continue to the next step (Panel and trim installation).



Sureseal is a 3 part system for installations onto shower trays consisting of a 2 part PVC strip and Showerwall white sealant.

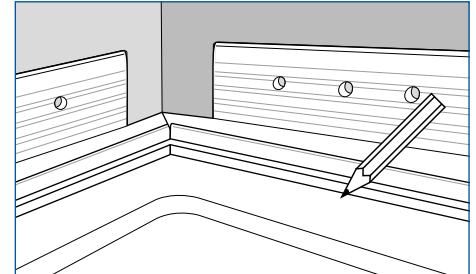
1 Place the Sureseal strip (ensure the front face capping trim is attached) into the Showerwall kit mitre box* and mitre cut the right hand end of the Sureseal strip. Position the mitred end of the Sureseal strip in place and measure, mark and cut the Sureseal strip to length to suit your particular shower tray / bath allowing for your shower cubicle frame width.

Repeat this process for your second Sureseal strip for the opposite side. Ensure that the two mitre cut ends meet neatly at the corner. **Remove the face capping section from the base trim.** Next measure, mark and notch (cut out) a section of the upper back flange of the Sureseal strip to accommodate the internal corner trim at the mitre end, and the panel end trim at the opposite end of the Sureseal strip.

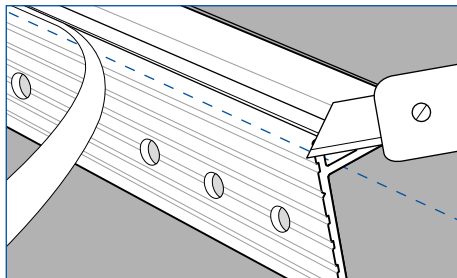


NOTE: Notches (cut outs) should be made for all variants of Showerwall trim that are used in conjunction with the Sureseal strip.

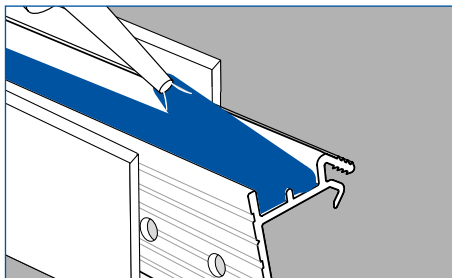
Recommended Fixings	
	Galvanised Slab Nail Size: 18mm (¾")
	Flat Head Countersunk Screw Size: 18mm (¾") x No. 6



2 Lay the Sureseal strips in position to check the mitre cuts and notches match. With the strips in position, lightly mark the shower tray / bath ledge (at multiple points with a pencil) to define the outer edge of each strip.



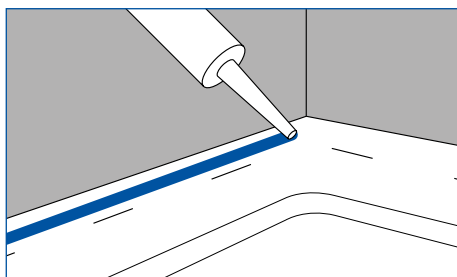
3 If the front edge of the Sureseal strips are not resting flat on the shower tray / bath ledge, score and tear off the removable back leg as shown.



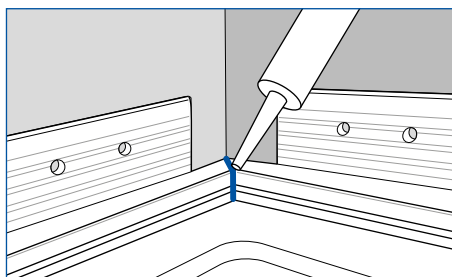
4 Wipe the shower tray / bath ledge with the supplied cleaning wipes*. Insert the Sureseal strip upside down into the mitre box for support. Apply a thick line of Showerwall sealant along the full length of the trim.



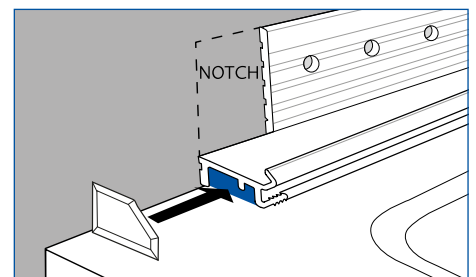
5 Spread Showerwall sealant into the Sureseal strip with the sealant profiler* supplied as shown above. Redistribute or add sealant if required. Ensure the sealant is buttered flush with ends of the strip.



6 With a finger under the Showerwall sealant nozzle and a fingertip against the wall as guide, lay a straight continuous and generous bead of sealant on the shower tray / bath ledge just inside the pencil marks which indicate the outer edge of the strip.



7 Place the first Sureseal strip into position fusing the Showerwall sealant in the strip with the sealant on the shower tray / bath ledge. **Check the strip is sitting level using a spirit level.** Nail/screw the trim to the wall / battens and remove any excess sealant. Repeat this process for the second Sureseal strip. Seal the mitre joints with sealant to ensure full fusion of sealant at the joint.

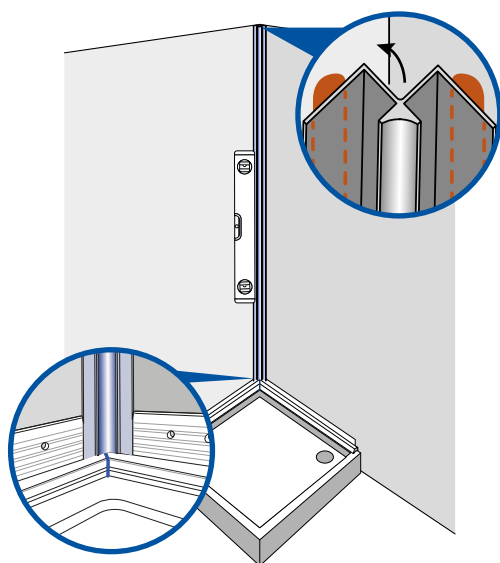


8 Insert the Sureseal end caps* into the exposed end of the Sureseal strip. Ensure that the end cap tabs are seated into the Showerwall sealant.

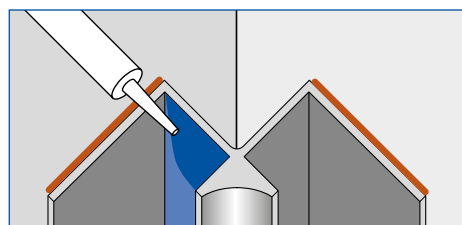
* Supplied in the Showerwall Components kit (if purchased)

SECTION 3

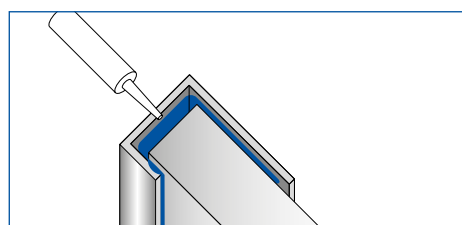
Panel & Trim Installation - Square Edge Panels For A 2 Sided Shower



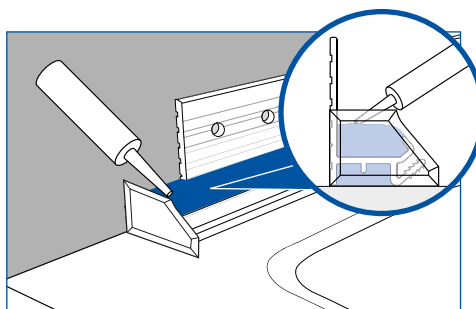
1 Apply continuous beads of Showerwall panel adhesive to the full length of the reverse of the internal corner trim. Fix the Showerwall internal corner trim into position ensuring that it is plumb using a spirit level and the base of the internal corner trim is sitting on the nib (A) of the Sureseal base trim.



2 Apply Showerwall sealant into the left hand channel recess of the internal corner trim in sufficient quantities to ensure the sealant fully envelopes the edges of the panel when inserted.



3 Prior to installing the previously measured and cut panel, wipe all panel edges with the surface cleaning tissue supplied*. Place a generous bead of Showerwall sealant into the recess of an end trim profile and locate the trim onto the left hand edge of the panel. **Ensure the sealant fully envelopes the edge of the panel when inserted.**

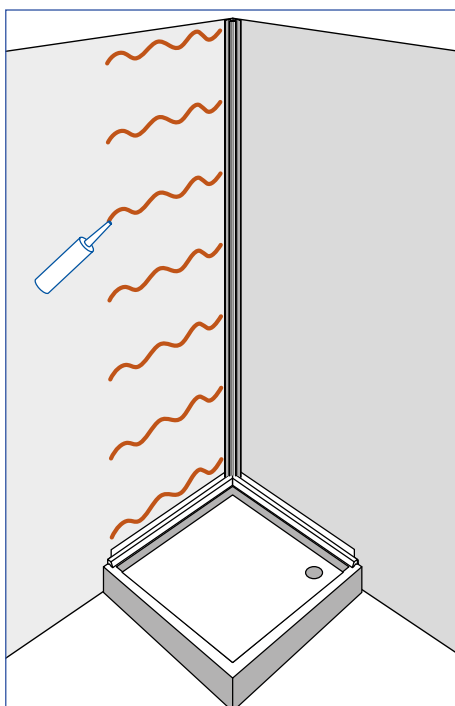


4 WHERE SURESEAL STRIP IS USED.

Apply a continuous line of Showerwall sealant into the Sureseal strip, filling it completely to the height of the channel.

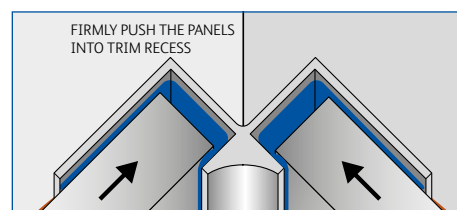
WHERE SURESEAL STRIP IS NOT USED.

Place small width 3mm high spacers close to the back edge of the shower tray / bath ledge to support the panel and create a 3mm clear gap at the panel base when fitted. To be filled with Showerwall sealant as per step 8.



5 Apply a minimum 6mm thick bead of Showerwall panel adhesive in a snake like line to the wall at the top, middle and bottom points of where the panel will be fixed. Apply further adhesive equally between these points until a full tube of adhesive has been used.

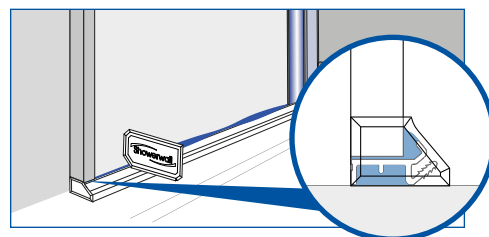
NOTE: When fixing to tiles conduct the same adhesive application method in conjunction with using Showerwall sealant as the fixing adhesive. **Ensure one tube of Showerwall sealant is used to fix each panel.**



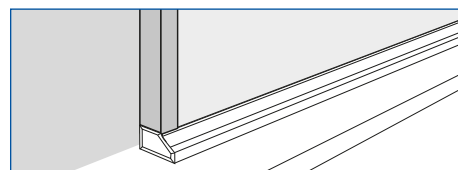
6 Position the panel onto the Sureseal strip or 3mm spacers and slide the exposed panel edge into the previously installed internal corner trim ensuring the panel is firmly pushed into the trim recess and that the sealant fully envelopes the panel when installed. **Excessive sealant should ooze between nib (A) of the Sureseal base trim and the front face of the Showerwall panel, fully enveloping the bottom edge of the panel.**

NOTE: Apply even pressure across the panel face to ensure sound contact of the adhesive to the reverse of the panel. Repeat for each of the panels installed.

7 Install your second panel by repeating steps 2-5 above.



8 Using the Showerwall Sealant Profiler (found with the Sureseal end caps)* run the profiler across the unbroken sealant line ensuring the excess sealant is left flush and consistent. Reapply and re-profile where necessary.



9 Locate the face capping onto the Sureseal base trim fully by applying even pressure along it's length. Audible 'clicks' will be heard as the capping clicks into place. **Ensure that the top flexible capping seal is in contact with the panel surface along it's entire length.**

10 Complete the top panel edge detailing by filling the 3mm gap between the top edge of the panel and ceiling with Showerwall Sealant.

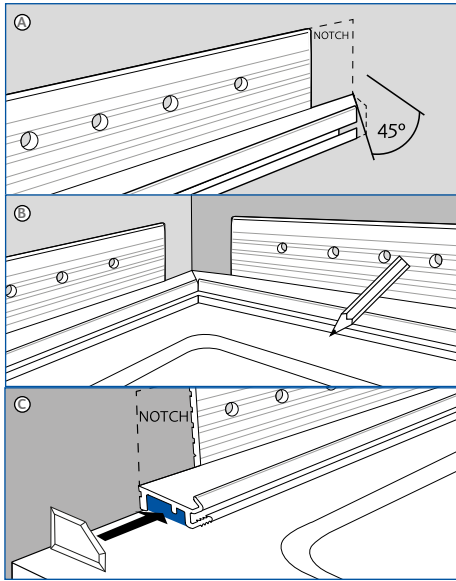
11 COMPLETION

Allow the adhesive and sealant to fully cure for 24hrs. After installation of your chosen shower cubicle clean your Showerwall panels using Showerwall Superclean cleaner.†

* Supplied in the Showerwall Components kit (if purchased)

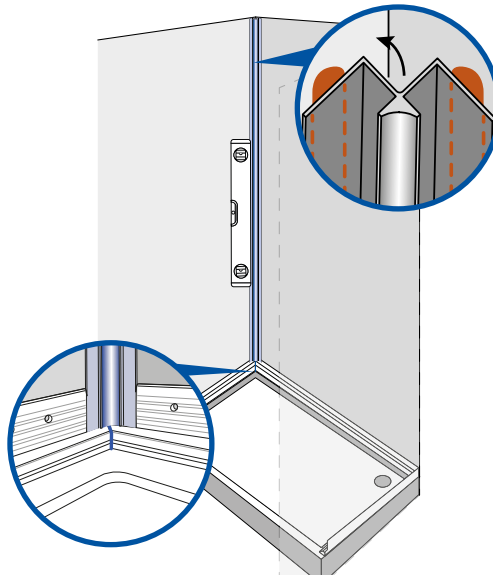
† Refer to cleaning and maintenance section.

Panel & Trim Installation - Square Edge Panels For A 3 Sided Shower

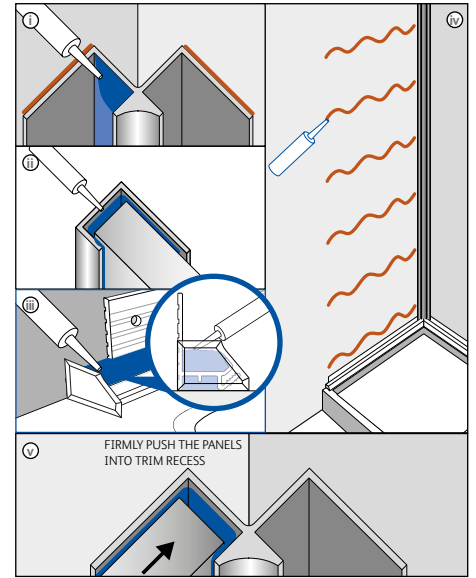


1 Install your Sureseal strip sections using the procedures previously detailed in Section 2.

NOTE: A 3 sided installation requires
3 sections of Sureseal strip and
2 mitre joints.



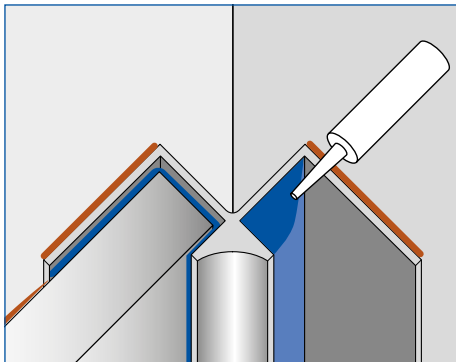
2 Install your left hand internal corner trim as previously detailed in step 1 of Section 3.



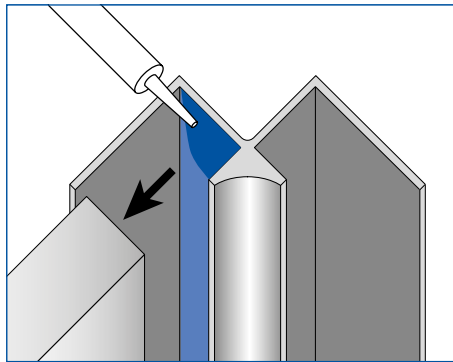
3 Install the left hand Showerwall panel as previously detailed in step 2-6 of Section 3.

Installing the Centre / Back Showerwall Panel

4 Measure and cut to size the centre panel allowing for the additional right hand internal corner trim to be used.



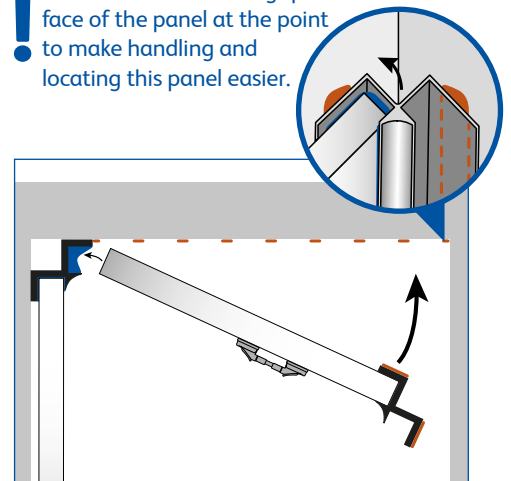
5 Apply Showerwall sealant into the right hand recess of the previously installed internal corner trim.



6 **APPLY TRIM / PANEL**
Apply Showerwall sealant into the left hand recess of the second internal corner trim in sufficient quantity to ensure the sealant will fully envelope the edge of the panel. Firmly locate the trim onto the right hand panel edge of the centre panel.

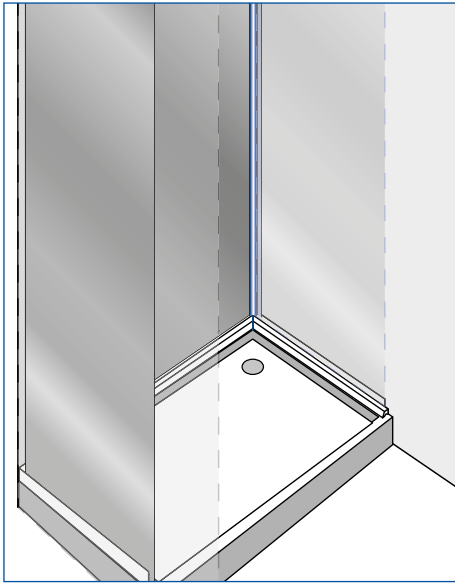
7 Repeat Steps 4 & 5 of Section 3 for adhesive wall and sealant application method. Showerwall adhesive should now be applied to the back edges of the right hand internal corner trim being installed.

NOTE: Attach suction grips to the face of the panel at the point to make handling and locating this panel easier.

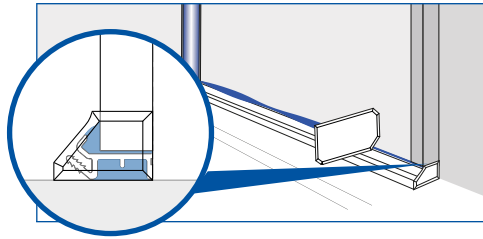


8 Locate the left hand panel bottom edge onto the Sureseal strip or spacers and locate the left hand panel side edge into the right hand recess of the previously fitted internal corner trim rotating the right hand side of the panel into position firmly pushing the panel and corner trim onto the adhesive.

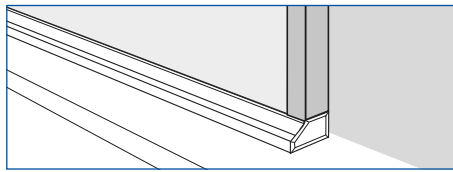
Installation Of The Final Right Hand Panel - 3 Sided Shower



9 Repeat Steps 2-6 from Section 3 for the fitting of the final right hand panel.



10 Using the Showerwall Sealant Profiler (found with the Sureseal end caps)* run the profiler across the unbroken sealant line ensuring the excess sealant is left flush and consistent. Reapply and re-profile where necessary.



11 Locate the face capping fully by applying even pressure along it's length. Audible 'clicks' will be heard as the capping clicks into place. Ensure that the top flexible capping seal is in contact with the panel surface along it's entire length.

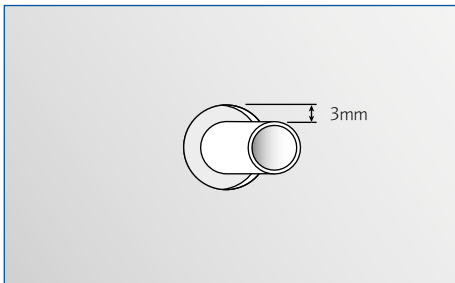
12 Complete the top panel edge detailing by filling the 3mm gap between the top edge of the panel and ceiling with Showerwall Sealant.

13 COMPLETION

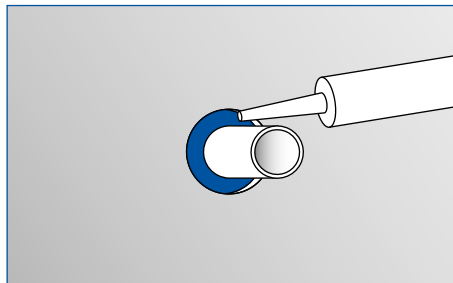
Allow the adhesive and sealant to fully cure for 24hrs. After installation of your chosen shower cubicle clean your Showerwall panels using Showerwall Superclean cleaner.†

† Refer to cleaning and maintenance section.

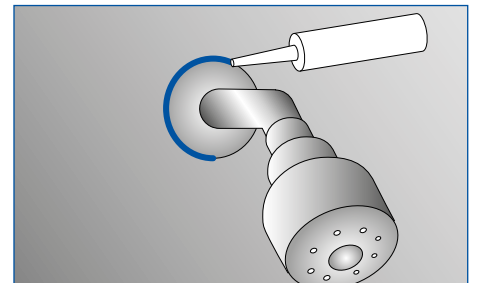
Pipes / Holes / Cut Outs - Sealing



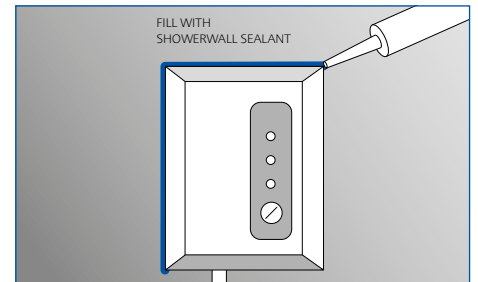
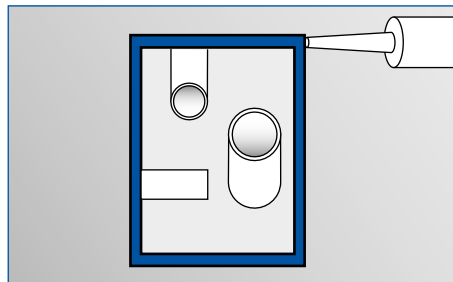
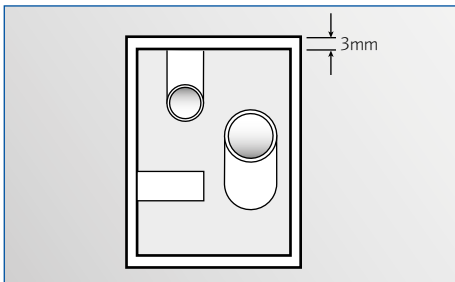
When needing to cut out, or drill holes, into your Showerwall panels to accommodate pipes or shower units, ensure a clearance space of 3mm width is left between the fixed object being cut around and the panel edge.



The 3mm clearance space must then be fully filled with Showerwall sealant once the panels are installed and before any fittings or shower units are fitted.



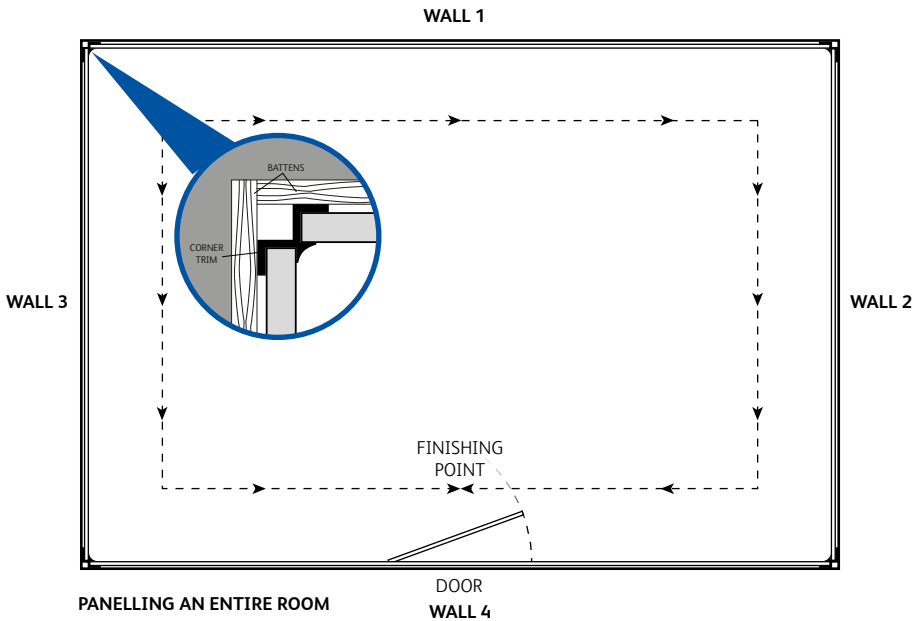
Following the fitting of any shower units or pipe collars etc always seal the shower unit casing or pipe collars again to ensure a further watertight seal exists externally around the unit / collars.



NOTE: Failure to adequately seal any cut edge sections of the panel may result in the panel edges swelling and will invalidate your product guarantee.

Full Wall Lining Application - Tongue & Groove Panel Installation

WHERE TO START & PLANNING CONSIDERATIONS



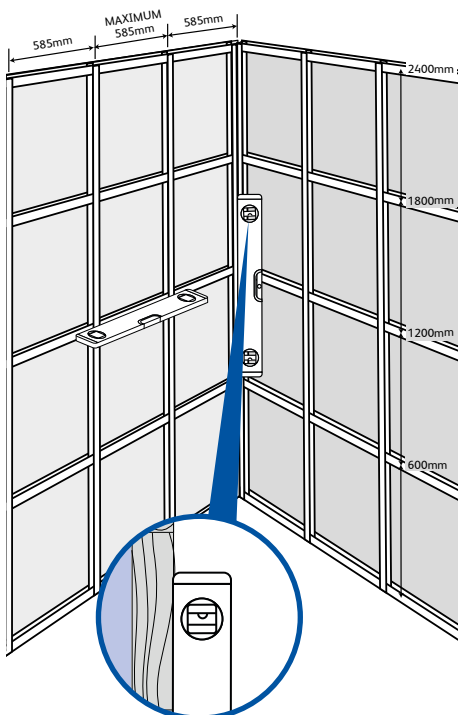
Tongue and groove panels can be used to line out full rooms or multiple walls within a room.

Always start from a corner and work out in both directions to finish the installation by cutting and fixing the final square cut panel over the doorway.

Where possible centralise panel runs to avoid having narrow strips at the corner profile points.

Avoid positioning panel joints where they could be exposed to constant running water from shower heads etc.

Wall Preparation - Tongue and Groove Panels



FIXING TIMBER BATTENS

(Tongue and groove panels must be fixed on to vertical and horizontal battens and not directly to the wall)

Tongue and groove panels must be fixed to a timber batten frame system using Showerwall adhesive to provide a level and plumb surface **to ensure an asymmetrical panel joint is achieved.**

Uniform thickness timber battens approximately 25mm x 50mm should be fixed vertically at 585mm centres where 585mm panels are used.

Ensure all vertical panel joints are supported appropriately by vertical battens, the spacing of which should be determined to suit your particular panel face width being installed.

All battens must be installed plumb and parallel and packing spacers used to ensure all battens are fully plumb and their surface faces are level.

Additional battens should be positioned to carry heavy items such as hand basins, wall mounted toilets or furniture. Vertical battens should also be present in the corners to support the corner profiles.

NOTE: Fitting panels directly to uneven walls will effect the quality of the panel joints.

PANEL BASE / FLOOR DETAIL

Use either Sureseal strip (installed as previously detailed in Section 2) or 3mm spacers to leave a 3mm gap at the bottom panel edge which will be filled with Showerwall sealant.

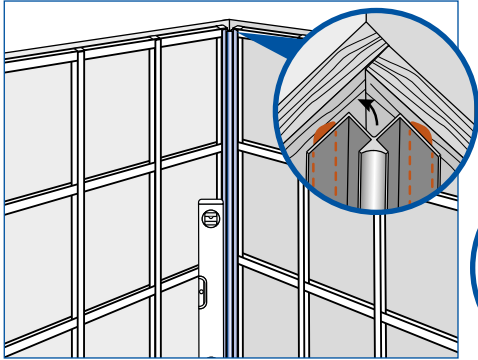
Ensure the Sureseal strip is installed level using a spirit level.

Where a 3mm gap is to be left ensure your floor and spacers are also level.

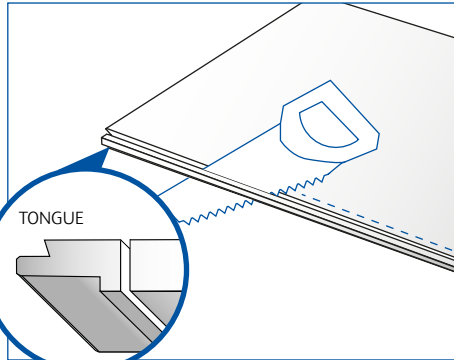
NOTE: If your bottom support is not level it will affect the vertical panel joints and top panel edge of the installed panels.

Pattern match is not guaranteed.

Panel & Trim Installation - Tongue & Groove Panels - Wall 1

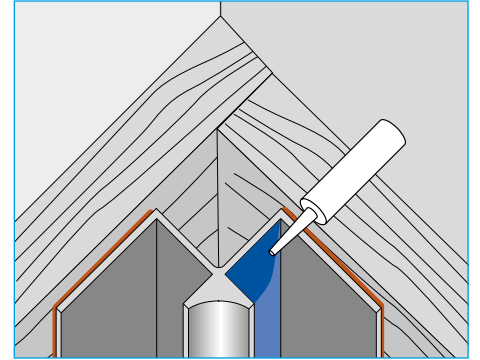


- 1** Apply continuous beads of Showerwall panel adhesive to the full length of the reverse of the internal corner trim.
Fix the Showerwall internal corner trim in position ensuring that it is plumb using a spirit level.

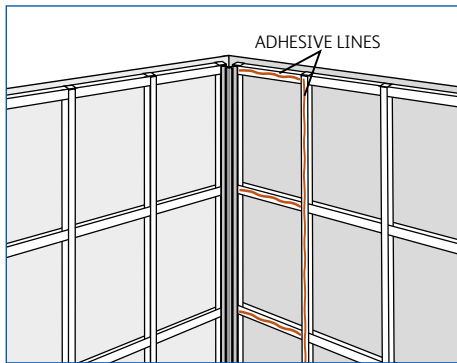


- 2** Cut the tongue profile off your first panel to leave a square cut panel edge.

NOTE: Repeat this procedure at each corner starting point.

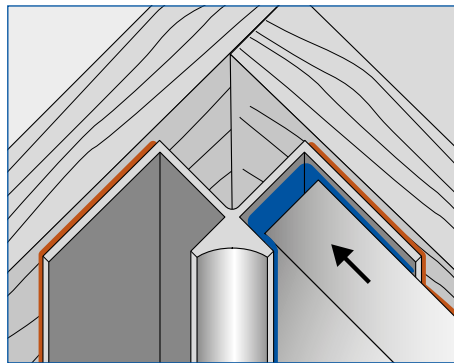


- 3** Apply Showerwall sealant into the right hand channel recess of the internal corner trim in sufficient quantities to ensure the sealant fully envelopes the edges of the panel when installed.



4 ADHESIVE APPLICATION

Apply a minimum 6mm bead of Showerwall panel adhesive in a snake like pattern to the battens that your panel will be fixed to.
If the Sureseal strip is being used, fill the channel of the strip with Showerwall sealant as detailed previously in Section 3.

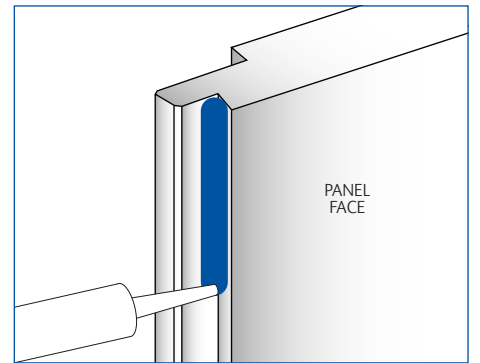


5 FIRST PANEL INSTALLATION

Wipe all edges with the surface cleaning tissue supplied*.

Locate the panel bottom edge onto the Sureseal strip or 3mm spacers and slide the square cut panel edge into the previously installed corner trim ensuring the panel is firmly pushed into the trim recess and that the sealant fully envelopes the panel edge when installed.

NOTE: Apply even pressure across the panel face to ensure sound contact of the adhesive the reverse of the panels.
Repeat for each of the panels installed.



6 SECOND PANEL INSTALLATION

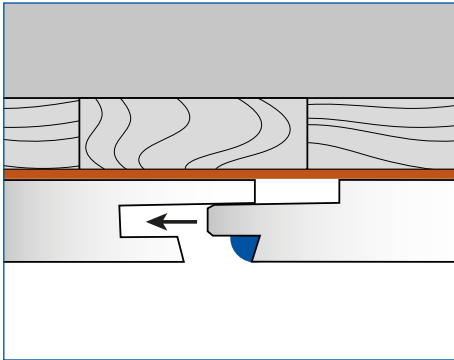
Repeat the same adhesive application procedure for the next section of battens step 4.

Using an **uncut sealant nozzle**, apply a small continual full length bead of showerwall sealant to the shoulder of the tongue profile of the next panel.

NOTE: Avoid putting too large a bead of sealant on the profile as too much can prevent the joint locating together correctly.

A small visible dark line at the joint is not deemed as a product defect should it be present once the panels have been installed.

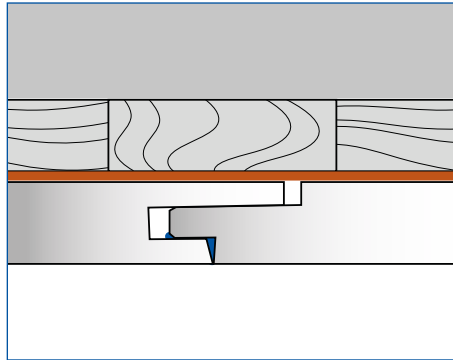
* Supplied in the Showerwall Components kit (if purchased)



7 Locate the panel bottom edge onto the Sureseal strip or 3mm spacers and slide the tongue of the panel into the groove of the previous installed panel, evenly squeezing out the Showerwall sealant and closing the gap.

NOTE: Apply even pressure across the panel face to ensure sound contact of the adhesive the reverse of the panels.

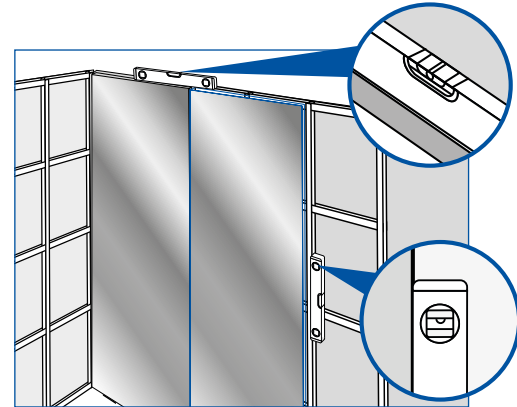
Repeat for each of the panels installed.



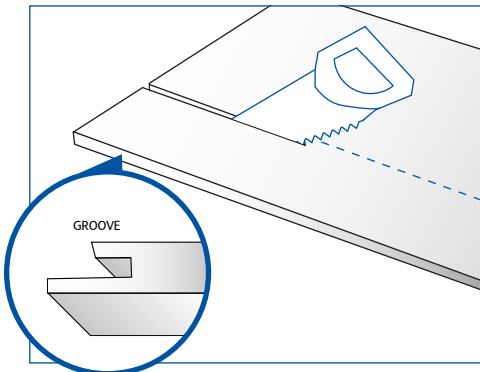
8 Immediately after assembling each joint, clean off any sealant overspill from the joint / panel face.

NOTE: A small visible dark line at the joint is not deemed as a product defect should it be present.

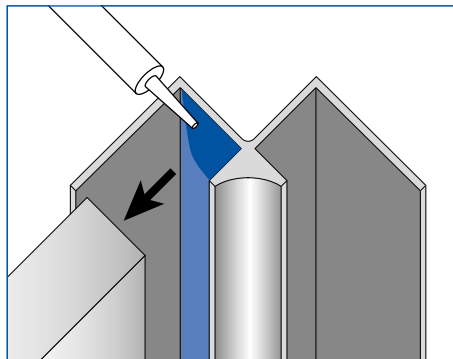
Pattern match is not guaranteed.



9 Repeat steps 6-7 for the following panels. Check each panel once installed to ensure the panel edges are plumb and level using a spirit level.

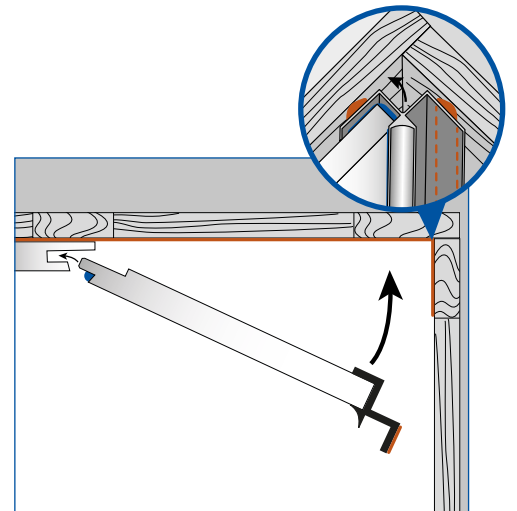


10 Measure and cut the final panel to width removing the groove side as necessary, ensuring the width measurement accommodates the internal corner trim width as advised in Section 1.



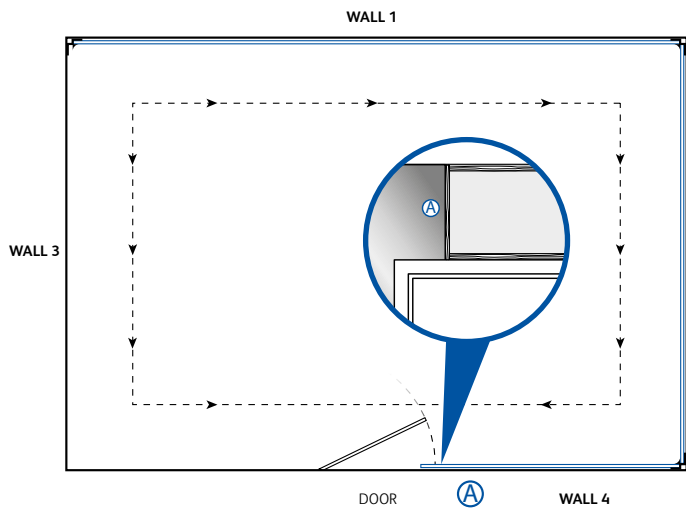
11 APPLY TRIM / PANEL

Apply Showerwall sealant into the left hand recess of an internal corner trim in sufficient quantity to ensure the sealant will fully envelope the edge of the panel. Firmly locate the trim onto the square cut panel edge.

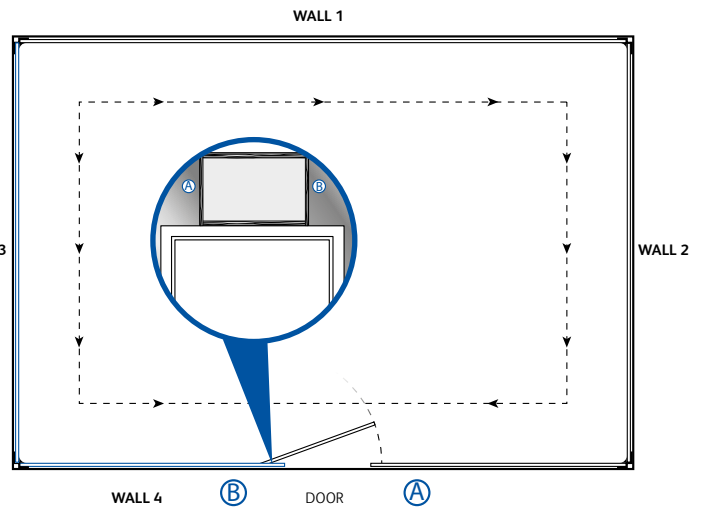


12 REPEAT STEPS 4, 6 & 7

Locate the tongue profile of the panel edge into the groove of the previous fitted panel and firmly push the panel and corner trim onto the adhesive beads and into position.

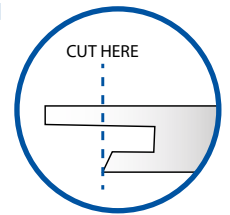


13 Repeat the procedures used for wall 1 to complete the installation of panels to walls 2 and the first section of wall 4 to the doorway point (A).

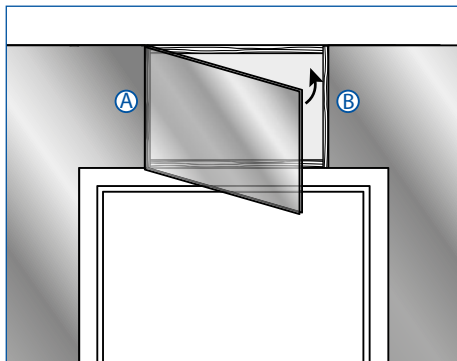


14 Repeat the procedures used for wall 1 & 2 to complete walls 3 and the second section of wall 4 to the doorway point (B) leaving sufficient space for the final panel above the door.

NOTE: Prior to installing your final panel cut off the projecting element of the groove profile level with the face of the panel leaving the internal edge section of groove intact in preparation for the final sealant application.

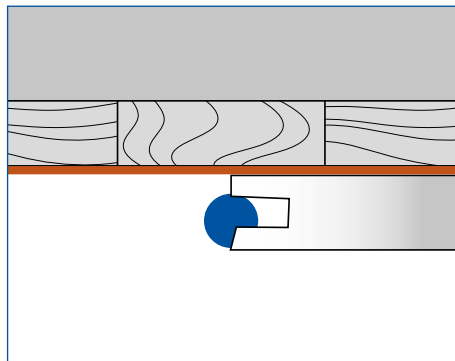


Final Doorway Detail

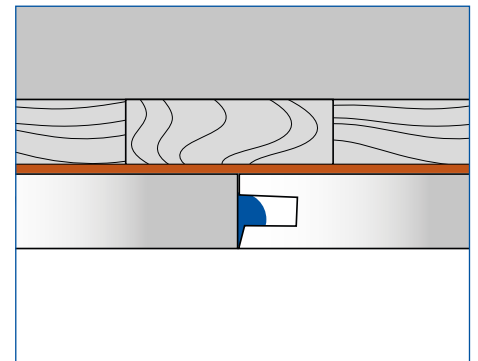


15 Measure and cut the height of the final panel above the door.

16 Measure and cut the width of the panel removing the right hand groove side of it. Ensure a clean straight cut is achieved. Once cut dry fit the panel to ensure accurate fitting. Remove the panel in preparation for panel fixing with suction grips.



17 Apply Showerwall adhesive in a snake like pattern to the appropriate battens. Apply Showerwall sealant to the left hand tongue of the panel as per step 6. Apply a bead of Showerwall sealant into the groove of the previously installed right hand panel ensuring the sealant exceeds the edge of the panel, as shown above. Locate the tongue into the groove of the left hand panel (A) and rotate the final panel into position ensuring the panels are flush across the right hand joint (B).



18 Immediately after assembling each joint, clean off any sealant overspill from the joint/ panel face.

19 Seal the top and bottom of the installation as advised in Section 3.

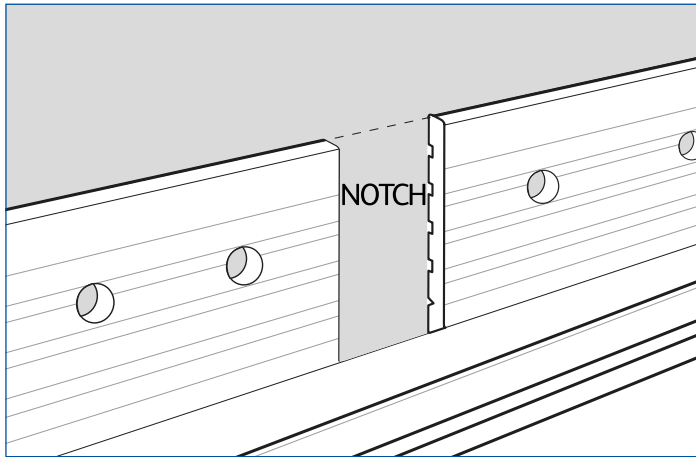
20 COMPLETION

Allow the adhesive and sealant to fully cure for 24hrs. After installation of your chosen shower cubicle clean your Showerwall panels using Showerwall Superclean cleaner.†

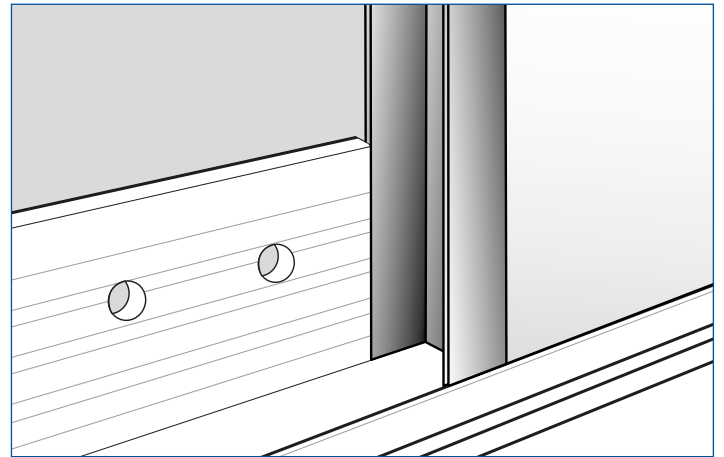
NOTE: A small visible dark line at the joint is not deemed as a product defect should it be present.
Pattern match is not guaranteed.

Joining Trims

When using multiple square edge Showerwall panels in conjunction with Joining trims (D) and Sureseal strip (F).



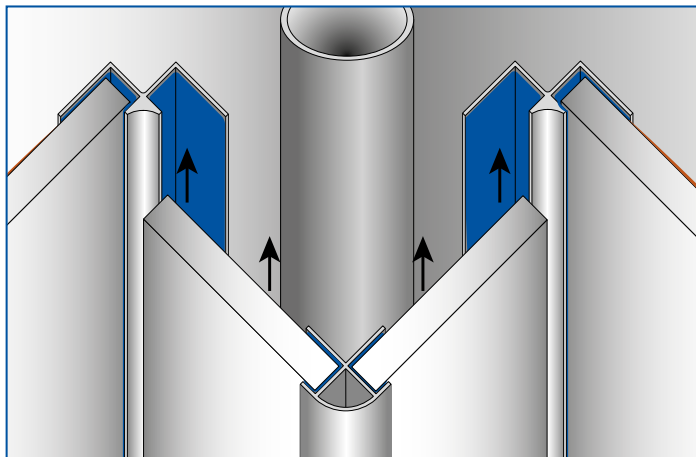
The Sureseal strip must be notched (cut out) to accommodate the Joining trim back plate.
(For trim dimensions please see components available in Section 1).



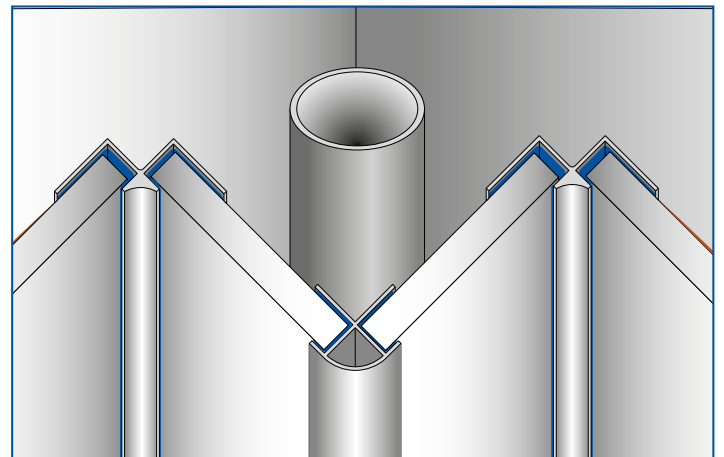
Secure the joining trim using Showerwall adhesive as previously stated for all Showerwall trims fixing.
Ensure all the trim recess' are filled with Showerwall sealant prior to installing the Showerwall panelling. Ensure the sealant fully envelopes the edge of the panel when inserted.

External Corners

Where Showerwall panels are being used to cover a 90° wall return or pipe box section use showerwall external (and or internal) corner trims.



NOTE: It maybe necessary that the external trim and cut panels are fabricated as one unit and fixed into the previously installed internal corner trims to complete the install.

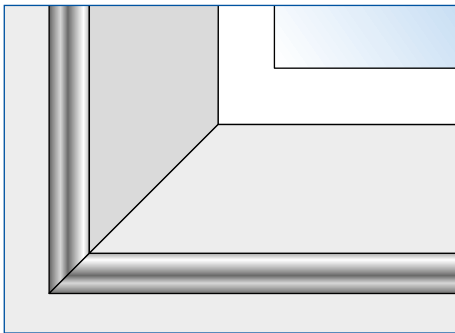
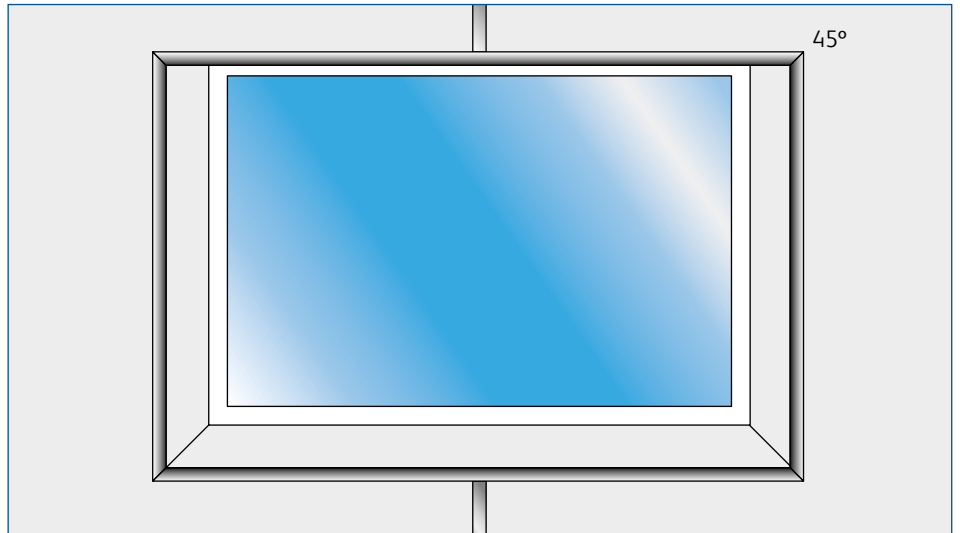


Ensure all trims are fixed with Showerwall adhesive and the trim recess' are filled with Showerwall sealant prior to installing the panel sections.

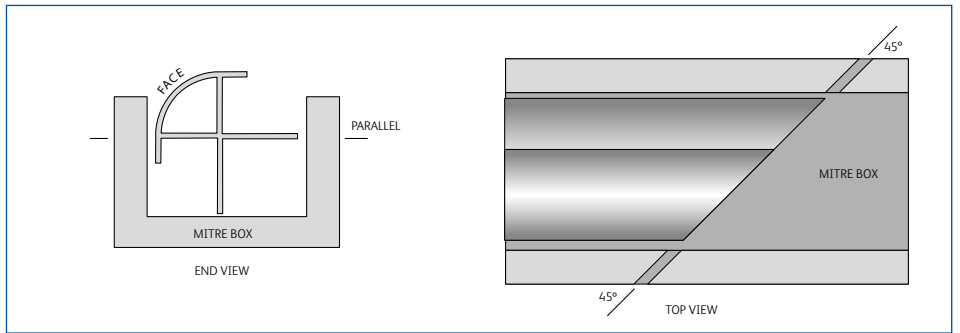
Window Reveals

Use the Showerwall external trim for each external corner point around your window reveal.

- NOTE:** A mitre box is required for this element of installation.
- Ensure all trims are fixed with Showerwall adhesive and all trim recess are filled with Showerwall sealant prior to installing the panel sections.
Measure and cut the final panel sections ready for installation.
Dry fit each section to ensure correct angles, sizes and a neat fit.



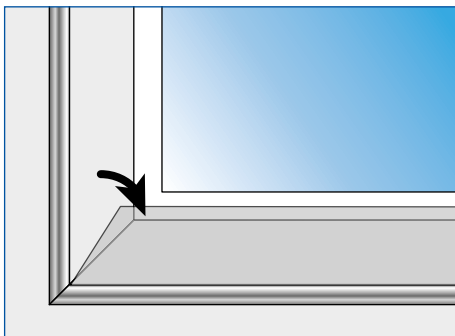
Window reveal trim compound corner detail.



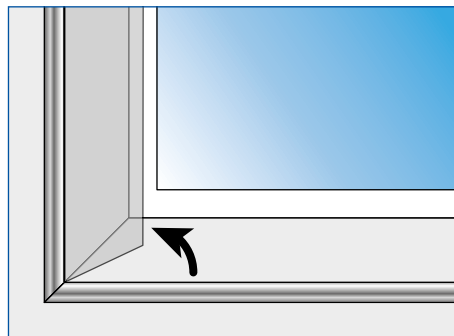
Measure and compound mitre cut each section of external corner trim as required. Ensure the trim is placed in the mitre box* correctly so that the correct compound angle is achieved.

Once the trims have been correctly mitre cut to length and checked for accurate fitting, fix the trims in place using Showerwall adhesive in the same manner previously detailed.

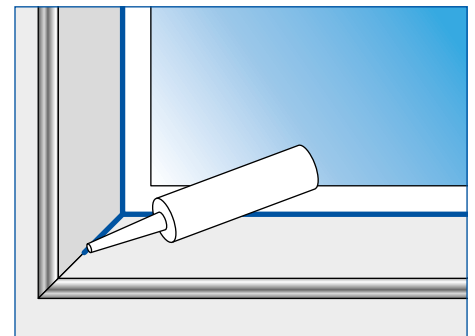
Next, apply Showerwall adhesive to the window reveal wall sections in the same manner as detailed in step 4 of section 3.



Install the two horizontal (top and bottom) sections first by inserting the panel into the trim recess at an angle ensuring that it is then fully pushed onto the adhesive.



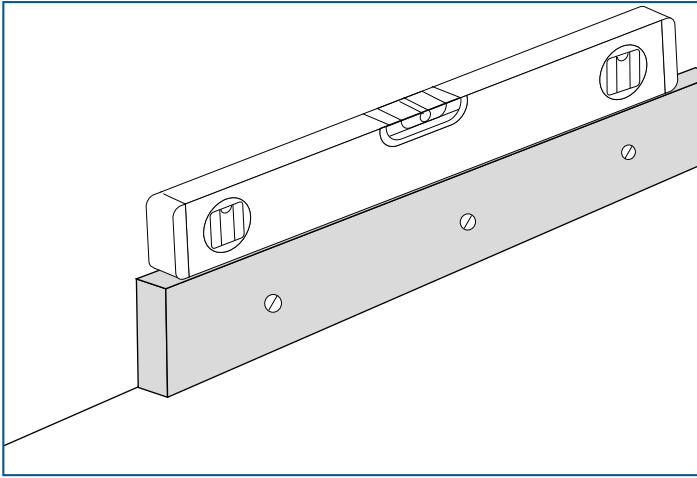
Proceed on installing the two vertical (sides) sections using the same method.



Complete the installation by applying Showerwall sealant across the top and bottom corner (joints and rear) edges that meet the window frame.

* Supplied in the Showerwall Components kit (if purchased)

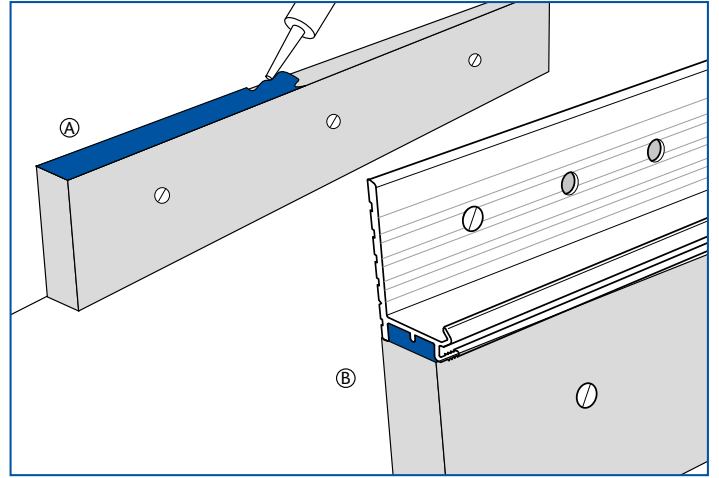
Flexible / Vinyl Floorcovering Installation



Measure and cut a 9mm thick MDF / Plywood packer / upstand which will be fixed at the wall base and below the Showerwall panelling.

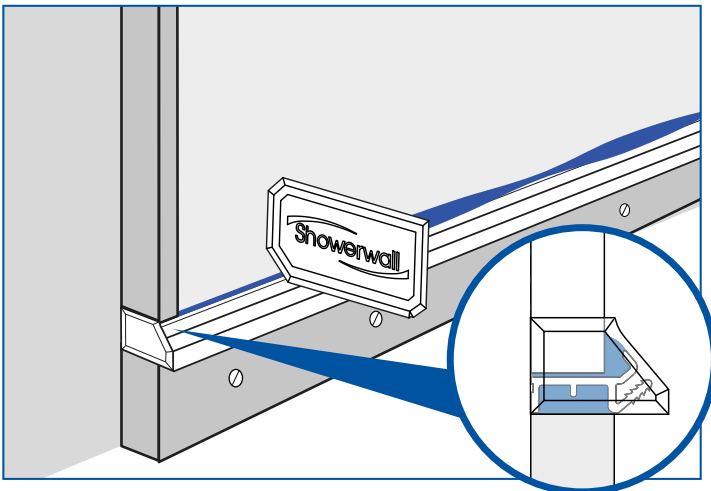
Ensure that the packer is perfectly level across its top edge before securing it into position with appropriate length screws.

The height of the packer should reflect the desired height / upstand section of the flexible floorcovering to be installed.

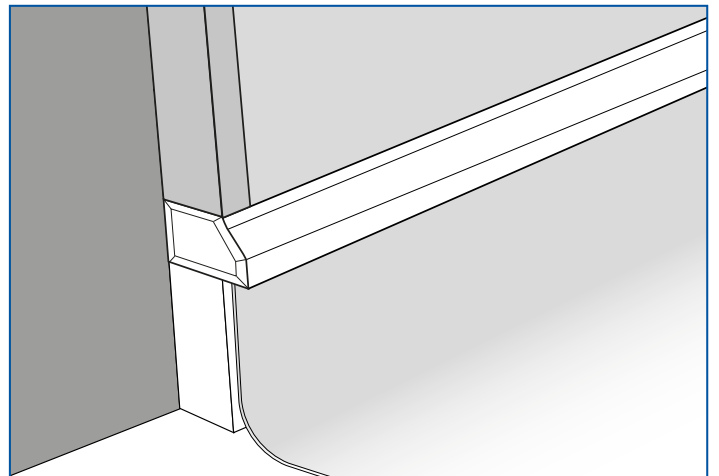


Apply an ample bead of Showerwall sealant across the top edge of the previously installed packer for the Sureseal strip to locate onto (A). Locate the Sureseal strip onto the top of the packer and firmly press into the Sureseal sealant. Check the Sureseal strip is sitting level using a spirit level.

Nail/screw the Sureseal strip to the wall and remove any excess Showerwall sealant (B).



Using the Showerwall Sealant Profiler (found with the Sureseal end caps)* run the profiler across the unbroken sealant line ensuring the excess sealant is left flush and consistent. Reapply and re-profile where necessary.



Proceed on fitting the Showerwall panels in accordance with the relevant previous section/s depending on your installation type.

Install the floorcovering ensuring that the edge of it laps up the face of the packer section and under the bottom edge of the Sureseal strip.

Care, Maintenance & Guarantee Details

SHOWERWALL IS MORE HYGIENIC & EASIER TO MAINTAIN THAN TILED SURFACES

CARE

The non-porous surface of Showerwall provides excellent protection against bacteria and is easily cleaned and maintained.

Showerswall Superclean is a non abrasive, pH neutral cleaner specifically formulated and tested for use with your Showerwall panels and will achieve a streak free finish on Showerwall, Glass, Sanitaryware, Taps & Plastics.

It kills bacteria viruses, mould and has a sterilising affect on your Shower area keeping the surfaces clean without scratching and is recommended for the optimum life and performance of your Showerwall panel system.

MAINTENANCE

Any exposed bottom edge sealants may need to be replaced periodically, and or as necessary dependant up on shower usage and normal sealant degrade, and is a normal good maintenance procedure. Failure to maintain exposed sealants as necessary may result in water ingress into the panel core and subsequent panel damage and will invalidate your guarantee.

GUARANTEE

Your Showerwall panels carry a 15 year limited domestic residential use manufacturing defect guarantee when registered using the enclosed registration document. If the purchase of your panels is not registered within 28 days of the installation being completed, then the guarantee is reduced to a 10 year period. For commercial installations the product has a 5 year limited manufacture defect guarantee.

Your Showerwall panels should be rinsed down after each use of your shower and cleaned using Showerswall Superclean.

NOTE: Not rinsing away chemicals such as hair dyes or hair bleaches may have a discolouring affect on the Showerswall sealants!
Abrasive cleaners and bleaches **MUST NOT** be used on Showerswall panelling.

Any exposed bottom edge sealant beads can be replaced using the Showerswall silicone eater accessory, which assists in the easy removal of your old sealant beads prior to resealing with new Showerswall sealant.

Showerswall Silicone Eater is available via your Showerswall supplier.

The guarantee is applicable to the first consumer owner of the product and is not transferable. A copy of proof or purchase documentation will be required if a product fault claim is made.

A copy of the complete version of the guarantee is available to download via the Showerswall website.

INSTALLATION DATE	PANEL BATCH No.*
INSTALLER DETAILS	

* 6 Digit number found on the cardboard packaging of this panel.



Stylish and elegant waterproof panelling system

DISCLAIMER

Showerswall reserve the right to amend details within this installation leaflet without prior notice. E.&OE (errors & omissions exempt.)

info@showerswall.co.uk | showerswall.co.uk

PLEASE CUT OUT AND RETAIN / OR GIVE THIS SECTION TO THE OWNER OF THE PROPERTY, FOR USE AND FUTURE REFERENCE