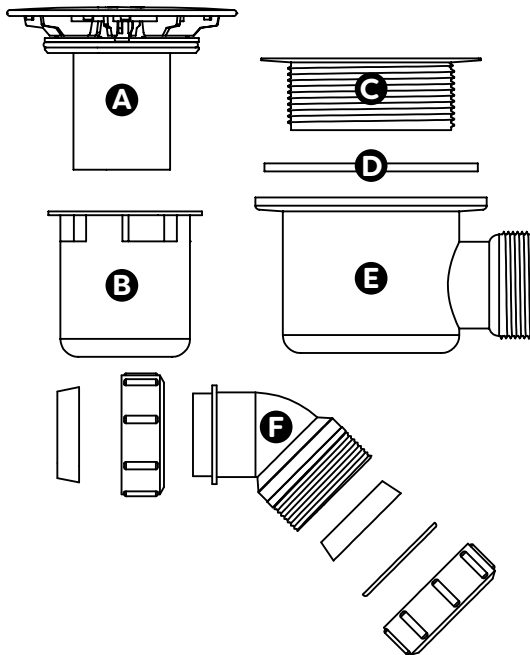


Hi Flow Shower Tray Waste Installation Instructions

Before you Begin:

- This instruction shows how to fit the shower tray waste. Ensure the waste is the correct size for the shower tray waste hole.
- **We recommend that this product is installed by a qualified tradesperson,** Victorian Plumbing Ltd. accept no liability for products incorrectly installed, or where the correct testing procedures have not been adhered to, thus resulting in the escape of water and consequential damage.
- Ensure the incoming mains water supply is switched off prior to commencing the installation.
- Observe all local plumbing and building codes & regulations.
- Unpack the product then read these instructions before proceeding. Inspect the product for damage. If any damage is found, contact our Customer Relations team.

① *Make sure that all components are present prior to installation.*



Fitting List:

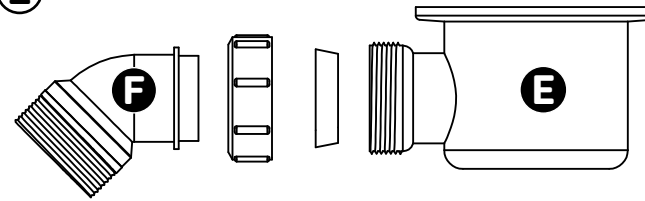
- A. Dome Cap
- B. Inner Chamber
- C. Threaded Flange
- D. Lower Seal
- E. Waste Trap
- F. Trap Outlet

Note: Diagrams are for illustration purposes only. Your Shower Tray Waste may superficially differ from this drawing however the installation guide steps still apply.

Recycling and Disposal:

- Please recycle the packaging in accordance with your local government regulations on waste handling and follow the same advice at the end of the products life.

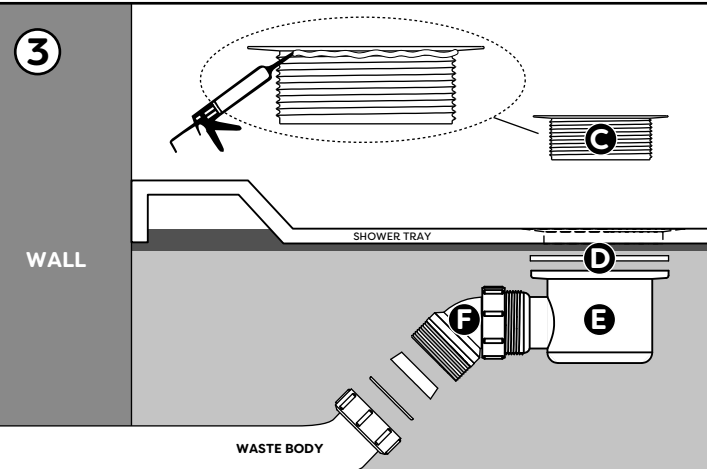
②



Attach the 'Trap Outlet' (F) to the 'Waste Trap' (E) and tighten.

Note: Be careful not to over-tighten.

③



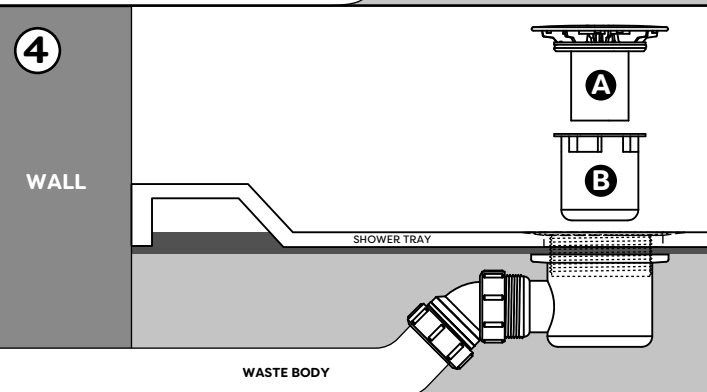
Pipe a fine bead of good quality silicone sealant around the bottom edge of the 'Flange' (C).

Feed the 'Flange' (C) through the shower tray waste hole at the top. Place the 'Lower Seal' (D) onto the flanged part of the 'Waste Trap' (E) then screw the 'Waste Trap' to the 'Flange' on the underside of the shower tray waste hole.

Attach the waste body pipe to the 'Trap Outlet' (F), ensuring a tight seal.

Note: Test the installation and check all joints/connections for any leaks.

④



Feed the 'Inner Chamber' (B) and 'Dome Cap' (A) through the shower tray hole and connect to the waste trap.

Note: Push down firmly to ensure the trap is in the bottom position.

Cleaning and Aftercare:

- To clean the trap, remove the 'Dome Cap' (A) then twist and remove the 'Inner Chamber' (B). Wipe clean then, re-assemble the trap
- **Warning:** Do not use abrasives, scourers, bleach or any type of chemical cleaning solution when cleaning the waste cap. It is recommended to use warm soapy water and a clean damp cloth.

For more information visit: www.victorianplumbing.co.uk