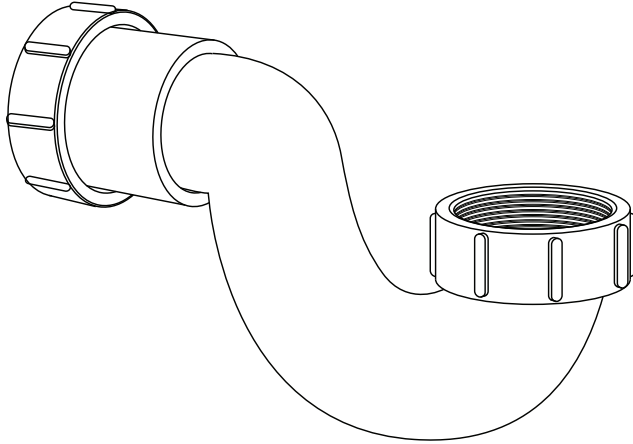




**victorian
plumbing.co.uk**

Shallow Bath Trap

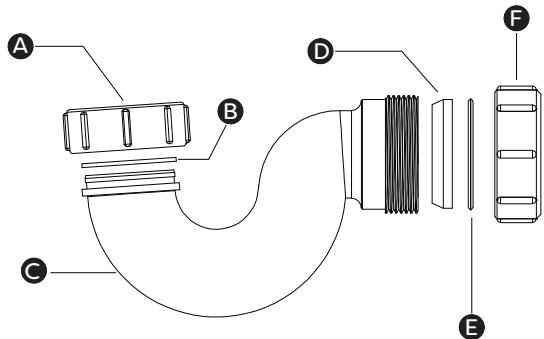


Fitting Instructions

Please follow them carefully and
leave this manual with end user

Items Included:

- A. Top Screw Nut
- B. Silicone O-ring
- C. Shallow Trap Body
- D. Silicone Seal
- E. Plastic O-ring
- F. Back Screw Nut



Diagrams are for illustration purposes only. Your Shallow Bath Trap may superficially differ from this drawing however the installation guide steps still apply.

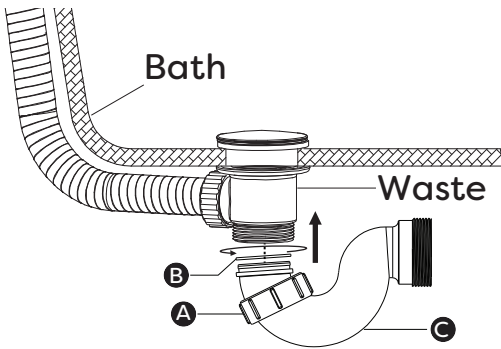
Recycling and Disposal:

Please recycle the packaging in accordance with your local government regulations on waste handling and follow the same advice at the end of the products life.

Before you begin:

1. **We recommend that this product is installed by a qualified tradesperson**, Victorian Plumbing Ltd. accept no liability for products incorrectly installed or any damage to the floor, walls, plumbing, bath, shallow bath trap or personal injury during installation.
2. Observe all local plumbing and building codes & regulations.
3. Ensure the incoming mains water supply is switched off prior to commencing the installation.
4. For the following instructions, it is assumed that the in-wall/floor plumbing has already been prepared.
5. Unpack the product then read these instructions before proceeding. Inspect the product for damage. If any damage is found, contact our Customer Relations team.

Installation:

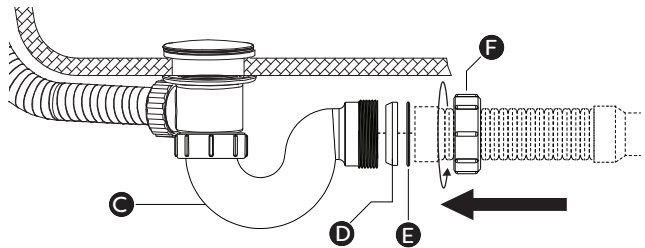


Step 1:

Insert the 'Silicone O-ring' (B) over the top of the 'Shallow Trap Body' (C), then insert the 'Shallow Basin Trap' into the waste. Tighten the 'Top Screw Nut' (A) into the threaded tail of the waste to secure into place.

Step 2:

Place the 'Back Screw Nut' (F), 'Plastic O-ring' (E) and 'Silicone Seal' (D) over the waste outlet pipe (not included). Insert the waste outlet pipe within the threaded tail of the 'Shallow Trap Body' (C) and tighten using the 'Back Screw Nut' to secure into place.



Step 3:

Proceed to completing the installation of your chosen Bath, refer to the instructions of the bath for guidance if needed.