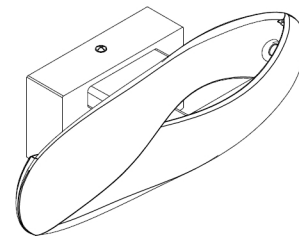


INSTALLATION  
INSTRUCTIONS

1 x INFINITY  
WHITE IP44  
LED WALL LIGHT

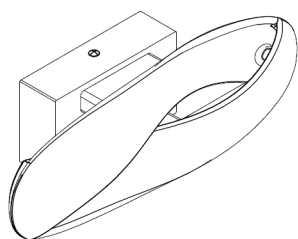


**CODE: SE32009W0**

**IMPORTANT:** Please read these instructions before commencing installation and retain for future reference.

**Components**

**Tools required**



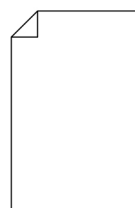
1 x LED Light



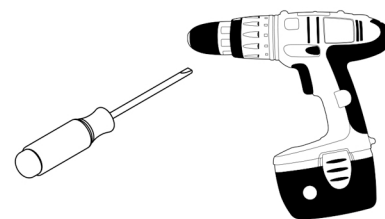
2 x Wall Plugs



2 x Screws



1 x Instructions



1 x Screw driver

1 x Power Drill

**Important Safety Information**

**Please read these instructions carefully before attempting to install this product. It is advisable to keep these instructions in a safe place for future reference.**

We recommend that you consult a qualified electrician. All electrical installation must be carried out in accordance with current IEE wiring regulations (BS7671).

**These products must not be modified, if any modification are made, it may invalidate the warranty and may render the product unsafe.**

This fitting should be used indoors only.

- If in doubt installation must be carried out by a qualified electrician.
- Install on smooth flat surface(s) only.
- Do not exceed or stretch the cable length of each LED wire.
- The wattage for this light is 6W.
- This light is IP44 rated and suitable for use in zone 2 areas of the bathroom.

**Safety Instructions**

1. Before commencing installation or maintenance, isolate the main electrical supply for the appropriate circuit at the fuse board.
2. This product is only suitable for connecting to a 220-240V 50Hz supply.
3. The lights should be mounted onto a secure surface.
4. When the lamp expires the fitting must be replaced

**Waste Electrical & Electronic Equipment (WEEE)**

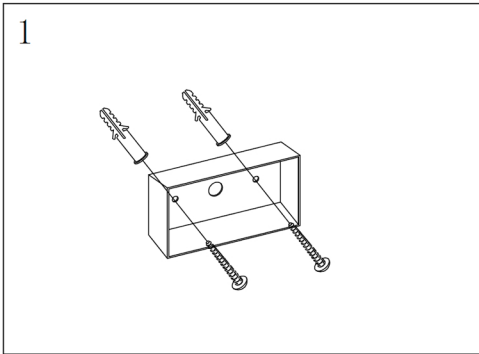
The symbol on the product, or on the document accompanying the product, the crossed out wheellie bin symbol, indicates that this product may not be treated as household waste. Instead it shall be handed over to the applicable collection point for the recycling of electrical and electronic waste.



**RoHS**  
Compliant ✓

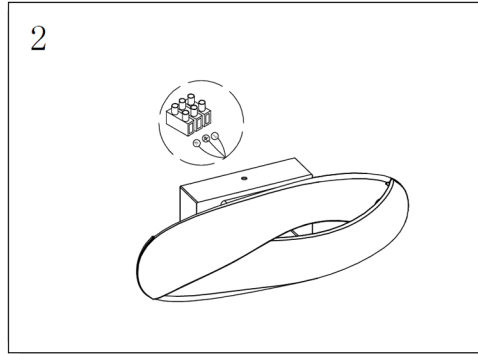


Remove all packaging material from the product and be careful not to throw away accessories that may be hidden within the packaging material. To help with assembly, lay the fitting on its side on a smooth surface.





Remove the mounting bracket from the canopy by loosening the screws on the side. Use the mounting bracket as a template to mark the screw positions on the wall.

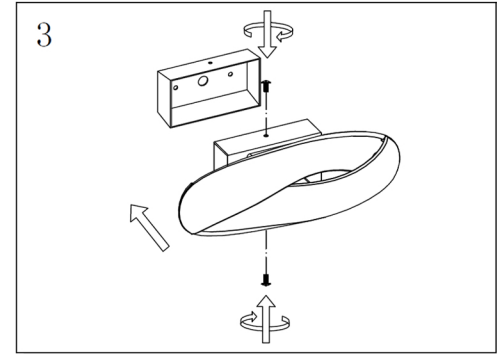
Install the mounting bracket onto the wall by using the mounting screws and wall plugs.



Connect the mains supply wire to the junction box. Ensure the wires are secure and no bare wires are exposed.

**Mains Supply Wire**  
Earth - Yellow/Green   
Neutral - Blue or Black  
Live - Brown or Red

**Fitting Wire**  
Yellow/Green or   
Blue  
Brown



Install the fitting onto the mounting bracket by tightening the screws on the side.

After installation, switch on the fitting to test.

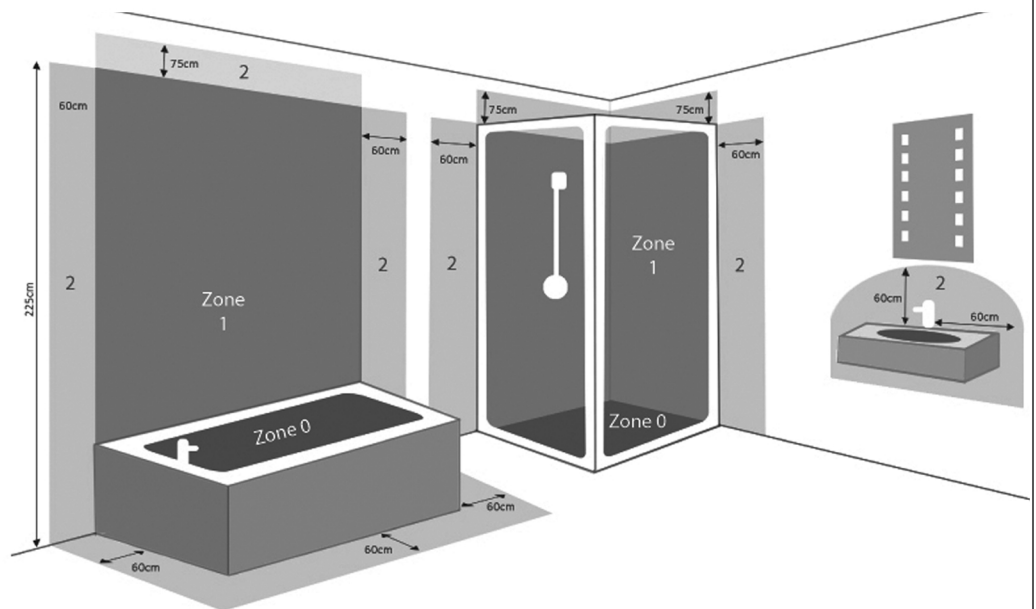
## ZONE

**0** Inside the bath or shower. Must be SELV (12V max.) due to water submersion. Minimum rating of IP67.

**1** 225cm above the bath or shower. Minimum rating of IP44.

**2** The area stretching to 60cm outside the bath or shower and 60cm from water outlet of sink. An IP rating of at least IP44 is required.

The light fitting is suitable for installation in zone 2 and the outside zones.



**OUTSIDE ZONES.** Anywhere outside zones 0, 1 & 2. Where water jets are not used for cleaning purposes, the general rules of BS7671 apply.

## Maintenance & Care

- Ensure that the power is disconnected prior to cleaning.
- To keep the finish of this product, wipe over with soft cloth periodically.
- Do not use harsh chemical solvents, this may dis-colour or damage the finish.