

Toilet Macerator

Installation and Utilization Instructions



ME90103

Warning

- The appliance is only ready for use after installation.
- The appliance must be supplied through a residual current device (RCD) having a rated residual operating current not exceeding 30mA.
- If the supply cord is damaged, it must be replaced by the manufacture or its service agent or a similarly qualified person in order to avoid a hazard.
- This appliance can be used by children aged from 8 years and above and persons with reduced physical, sensory or

mental capabilities or lack of experience and knowledge if they have been given supervision or instruction concerning use of the appliance in a safe way and understand the hazards involved. Children shall not play with the appliance. Cleaning and user maintenance shall not be made by children without supervision.

- Children should be supervised to ensure that they do not play with the appliance.
- This appliance is of domestic use only

OPERATING PRINCIPLE

The Waste Pump for toilet comprises a tank that receives the waste to be discharged and an electric pump that is automatically controlled by a pressure switch.

The discharge action is triggered when the flushing system is actuated, as with a conventional toilet.

ADAPTABLE WASTE PUMP FOR TOILET

OPERATING PRINCIPLE

The products to be discharged are collected in tank A.

Air chamber B records the air pressure flowing through pipe C to pressure switch D.

The pressure switch trips the motor E that drives the turbine F.

The waste is discharged through outlet G.

The mechanism is simple and manufactured from top quality components. The operating principle is based on a proven design.

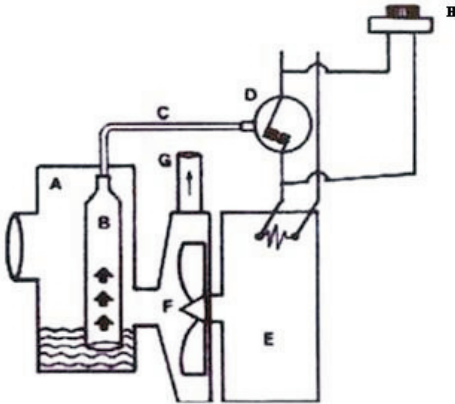
CONTROL COMPONENT 1 pressure switch

MECHANISM COMPONENTS 1 ELECTRIC MOTOR

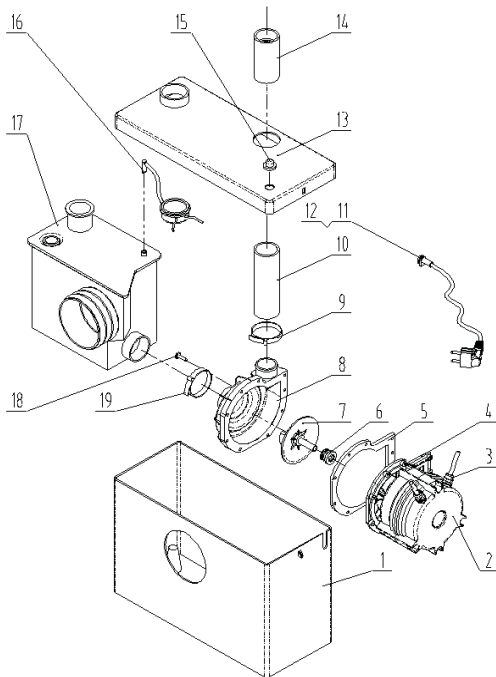
1 TURBINE

CONTROL COMPONENTS 1 MANUAL OVERRIDE SWITCH

AND SAFETY DEVICE 1 CHECK VALVE



BREAKDOWN OF THE APPLINCE



1. CASE
2. MOTOR
3. LOCKNUT
4. FLANGE
5. GASKET
6. MECHANICAL SEAL
7. OPEN IMPELLER
8. INJECTOR
9. CLAMPING RING
10. OUTLET PIPE
11. CABLE AND PLUG
12. CABLE GLAND
13. COVER OF THE CASE
14. CHECK VALVE
15. PUSH SWITCH
16. AIR SWITCH
17. RUBBER TANK
18. BOLT
19. CLAMPING RING

INSTALLATION

ELECTRICS: Connected with an earthed plug to a 250V~16 amp socket in accordance with current standards.

HYDRAULICS: The Waste Pump for toilet can only be used with a toilet with horizontal outlet and equipped with a tank or flushing tap.

The center of the horizontal outlet must be 18cm above the floor in accordance with European standards

DISCHARGING THE TOILET ONLY

- a) Introduce the horizontal bowl into the rubber sleeve of the Waste Pump for toilet and clamp with the pipe ring supplied – Fig. 1
- b) Introduce the discharge pipe into the rubber outlet. This shall be 40mm or 32mm in diameter. Clamp with the pipe ring.

CHECK VALVE

If the waste is to be expelled upwards, install the valve vertically as near as possible to the Waste Pump for toilet.

DISCHARGING WASTE FORM TOILET AND OTHER APPLIANCES

Connect the discharge pipes of the other appliances to the rubber connectors provided and clamp with the pipe ring – Fig. 2-

For bath or shower wastewater ,check that the slope form the siphon has a gradient of at least 1 cm per

meter so that the waste flows by gravity to the Waste Pump for toilet.

If other appliance are connected along the discharge line near to the Waste Pump for toilet, install check

valves on their discharge pipes in order to prevent waste return.

The slope of the horizontal parts of the discharge line must have a gradient of 1 cm per meter.

Fig.1

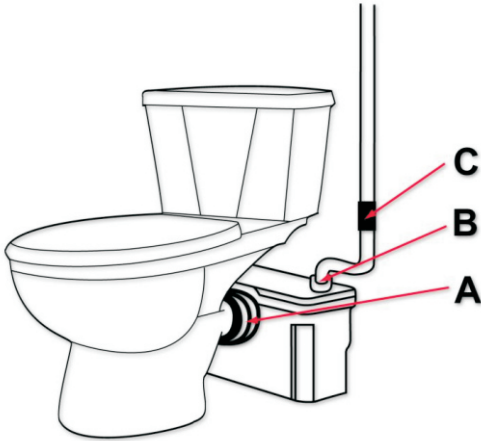
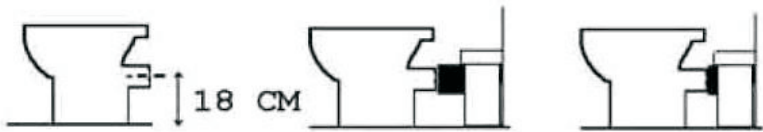


Fig. 2

SAFETY INSTRUCTION

Before the use ,the appliance must be ensured that it is earthed reliably to socket-outlet.

If the supply cord is damaged, it must be replaced by the manufacturer, its service agent or similar qualified Persons in order to avoid a harzard.

The appliance is not intended for use by young children or infirm persons without supervision.

Young children should be supervised to ensure that they do not play with the appliance.

The instructions concerning persons (including children) with reduced physical, sensory or

mental capabilities, or lack of experience and knowledge and children playing with the

appliance are not applicable. Children should be supervised to ensure that they do not play with the appliance.

SPECIFICATIONS

Product type:

ME90103

Power:

600W

Voltage:

220V~240V 50Hz

UTILIZATION

In order to ensure total satisfaction with your appliance for many years, only toilet waste, water and paper should be discharged using the waste pump for toilet. Discharge of any other materials than those mentioned will invalidate the warranty.

ADAPTABLE MAINTENANCE

Our appliances are designed to discharge fecal matter and toilet paper only. Some small items may however pass through the pump. But larger items unfortunately can block the pump. This is the main cause of breakdown record by our customer support department.

The appliance works but	Causes	Remedies
Is not powerful enough or too slow to discharge the waste	Discharge pipes too long or too high Discharge pipe diameter too small Partial blockage	Recalibrate the pipes Recalibrate the pipes Actuate the pump with the manual override switch. If the problem persists, the pump must be blocked check the pump
Emits a humming noise but does not discharge the waste	Pump blocked Check valve installed the wrong way round	Check the pump Reinstall the right way round
Start running and discharging accidentally	Check valve defect Leak in the flushing tank that causes water to flow into the waste pump for toilet and sets it running intermittently	Check valve Valve Repair the leak
Runs continually	Vertical discharge without check valve Check valve defect Pressure switch defect	Install the check valve Check the valve Check the pressure switch
	Electrical connection defect	Check the connection

No humming noise	Pressure switch motor	Press the manual override switch several times, if the appliance starts running check the electrical connection of the pressure switch and the pressure switch line (see method) Pressing the manual override switch has no effect. Check the motor.
------------------	-----------------------	--

PRESSURE SWITCH INSPECTION

Plug the pressure tap chamber located in the rubber tank, press it down to create pressure and listen to hear if there is a click indicating that the motor has switched on. If there is no click, also check that the air chamber of the pressure switch pipe nozzle does not leak.

If the appliance is switched on, the motor should start running.

Before performing this operation, check that the opening or inside of the pressure tap chamber are not blocked.

Disposal



This marking indicates that this product should not be disposed with other household wastes throughout the EU. To prevent possible harm to the environment or human health from uncontrolled waste disposal, recycle it responsibly to promote the sustainable reuse of material resources. To return your used device, please use the return and collection systems or contact the retailer where the product was purchased. They can take this product for environmental safe recycling.

Victorian Plumbing

Diamond House. 41, Stephenson Way. Formby Business Park Formby. England. L37 8EG

Tel: 0044 800 862 0878

Website: www.victorianplumbing.co.uk