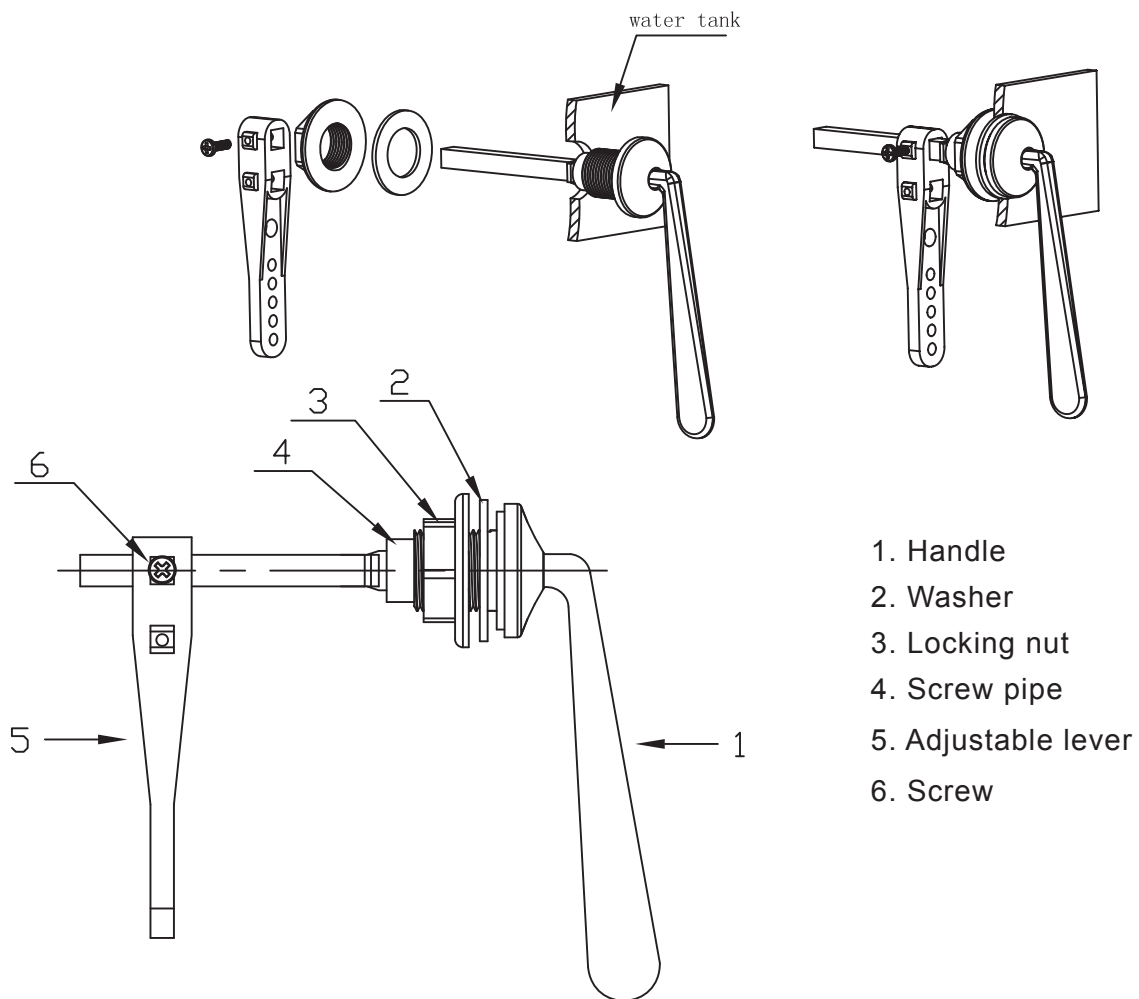


# Installation instructions



Thank you for purchasing this Victorian Plumbing product. Please follow these care instructions to ensure your product retains its high quality finish - **and retain this leaflet for future reference.**

1. Check all components are complete before installation
2. Take adjustable lever(5) and nut(3) out
3. Make the handle (1) across the hole of tank, then fit into the washer(2) and locking nut(3)
4. Install the adjustable lever(5), and connect the hook with adjustable lever in a suitable hole
5. Make the screw of the adjustable lever tightly



Victorian Plumbing

Diamond House. 41, Stephenson Way. Formby Business Park Formby. England. L37 8EG

Tel: 0044 800 862 0878

Website: [www.victorianplumbing.co.uk](http://www.victorianplumbing.co.uk)