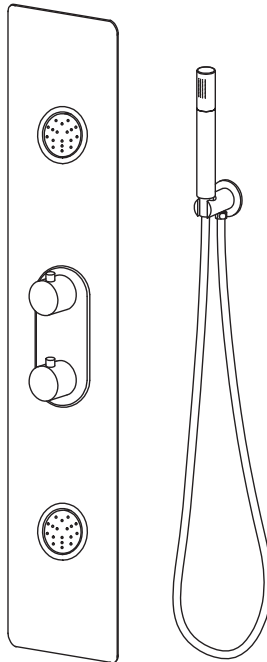
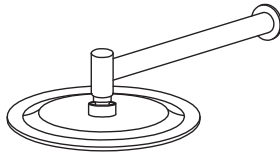


## Concealed Shower Tower



## Fitting Instructions

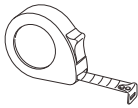
Please follow them carefully and  
leave this manual with end user

# Installation Guide

**Before installation, please read this guide carefully.**

1. **We recommend that this product is installed by a qualified tradesperson,** Victorian Plumbing Ltd. accept no liability for products incorrectly installed, or where the correct testing procedures have not been adhered to, thus resulting in the escape of water and consequential damage.
2. Observe all local plumbing and building codes & regulations.
3. Select the desired location for the concealed shower tower ensuring the chosen wall is both strong enough and suitable.
4. **Check the chosen wall space for any pipes/cables prior to drilling.**
5. Ensure the incoming mains water supply is switched off prior to commencing the installation.
6. Carefully inspect the product for damage. If any damage is found, immediately contact our Customer Relations Team.

## Tools required for Installation:



Tape Measure



Spirit Level



Drill



Adjustable Wrench



Pencil



Screw Driver

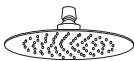


PTFE Tape

## Fitting list:



Shower Arm (x1)



Shower head (x1)



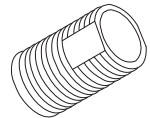
Shower Handset (x1)



Shower Hose (x1)



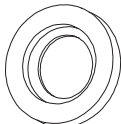
Shower Holder (x1)



Brass Connect Fitting (x4)



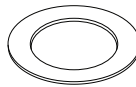
Back-Nut box (x4)



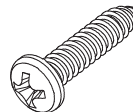
Decoration Flange (x2)



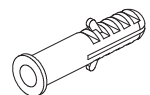
Washers (x4)



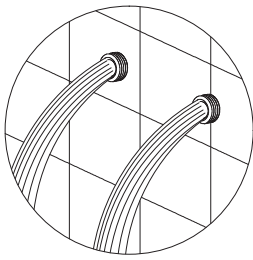
O-rings (x4)



Screws (x4)



Rawl Plugs (x4)



### Notice:

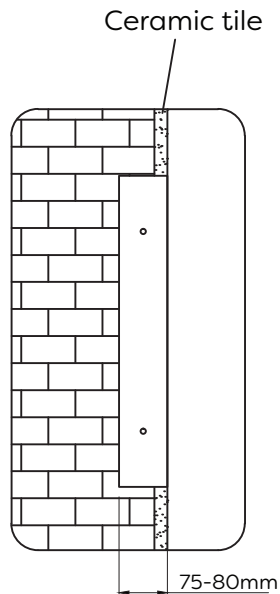
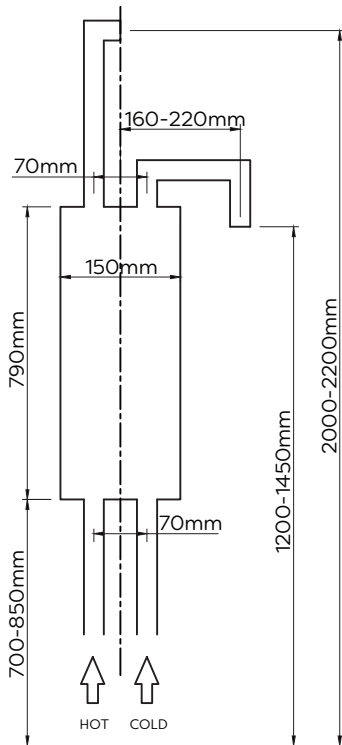
Before assembly; flush the water supply pipes thoroughly to remove any debris (allow the main stopcock open for about 3 minutes), otherwise dirt particles might affect the function of the shower panel.

## Installation

Diagrams are for illustration purposes only. Your Concealed Shower tower may superficially differ from this drawing however the installation guide steps still apply.

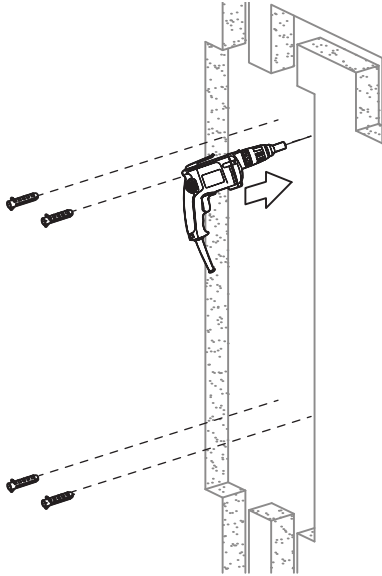
### Step 1:

1. Determine the fixing position for the concealed shower tower and make a recess in the wall to house the body, shower head and handset. The depth of the recess should be 75mm to 80mm within the finished wall surface to fit the cover plate correctly.



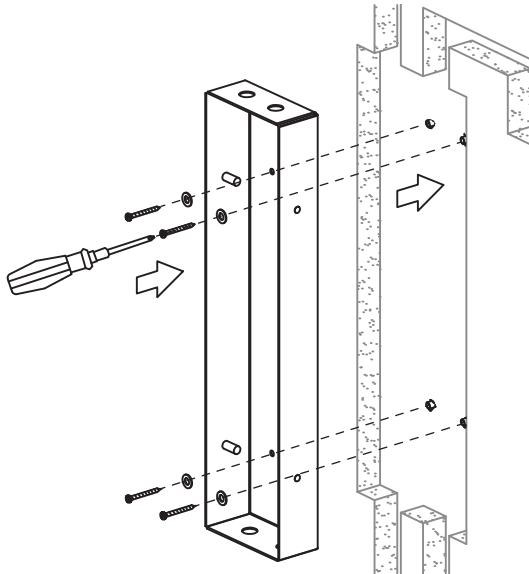
## Step 2:

1. Mark four holes in the recess for the embedded box to be fitted to. Drill the holes in the recess using an appropriately sized drill bit and insert the rawl plugs included.



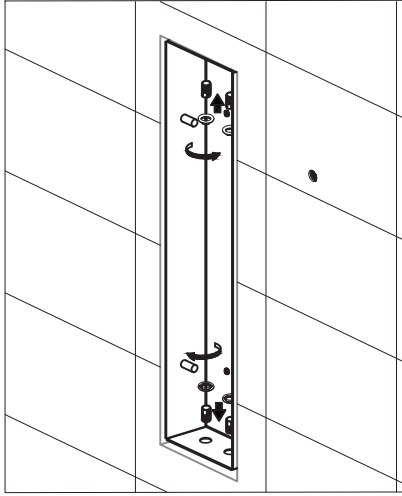
**Warning:**  
Check the chosen wall space for any pipes/cables prior to drilling!

2. Use the supplied washers and screws to secure the embedded box to the recess in the wall, tighten with a screwdriver.



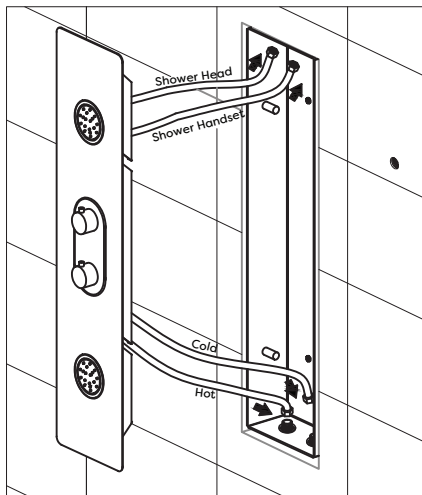
### Step 3:

1. Install the brass connectors to the top and bottom of the outlet holes, secure the connections with the back nuts provided.



### Step 4:

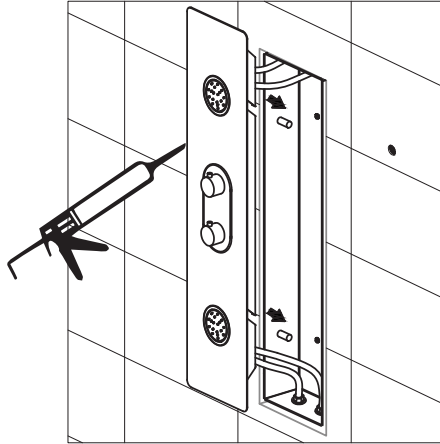
1. Wrap PTFE tape around the water supply outlets, connect the flexi-hoses to the water supply outlets. Connect the hot and cold water supply first.
2. Ensure that the hot water supply is on the bottom left and the cold water supply on the bottom right, with the shower head on the top left and the Shower handset on the top right. Tighten with a spanner.



## Step 5:

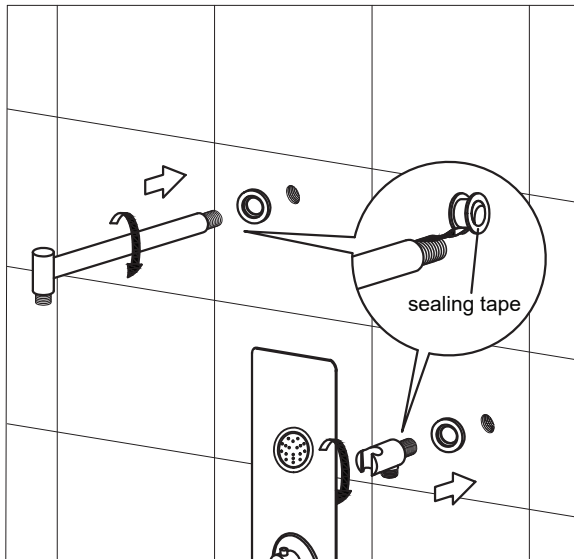
1. Pipe a fine bead of good quality silicone sealant around the back edge of the facial plate. Place the shower set into the embedded box.

**Note:** Ensure that the flexi-pipes are not twisted or kinked.



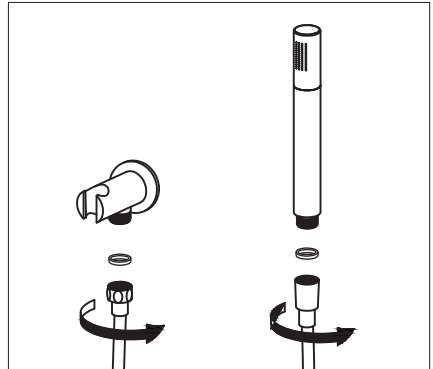
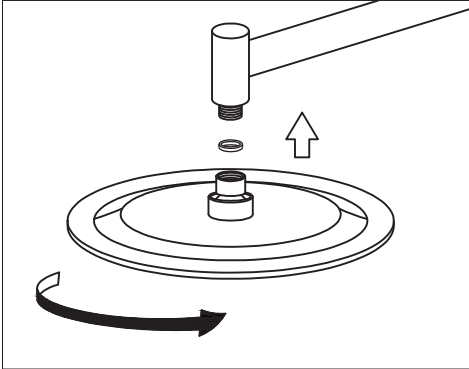
## Step 6:

1. Wrap PTFE tape around the threads of the shower arm and handset holder. Insert the decorative flanges through the threaded tails and screw the shower arm and handset holder to the outlets on the wall.



## Step 7:

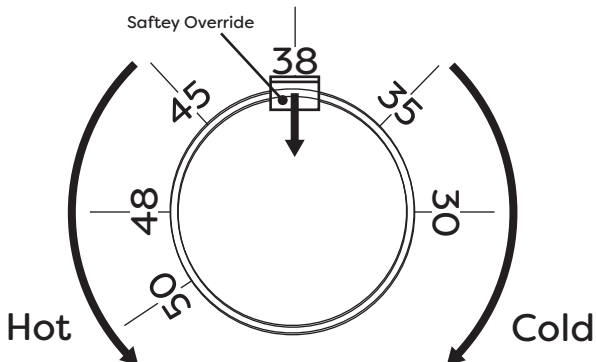
1. Connect the shower head with rubber O-rings to the shower arm (ensure that the shower head and arm is securely fixed to the wall before use).
2. Connect the shower hose with the rubber O-rings to the hand shower and handset holder.



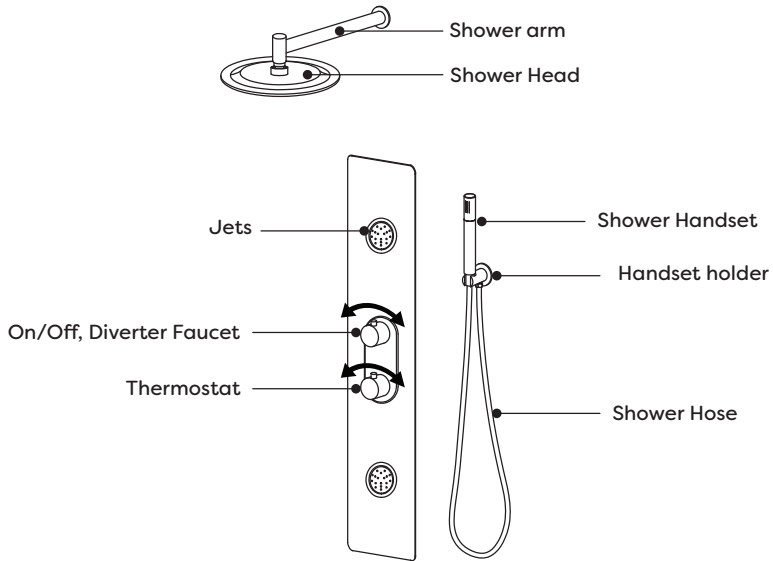
## Step 8:

1. Turn on the water supply, run the shower and check all joints for any leaks.
2. Open the hot and cold water, test the shower with the temperature settings at 30°C, 38°C and 50°C.

**Note:** To increase the temperature past 38°C, press the button on the temperature handle and turn anti-clockwise.



## Operation:

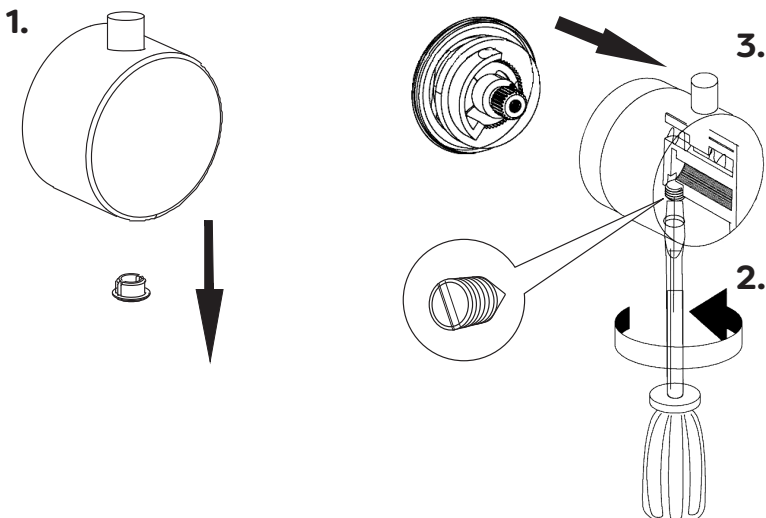


Ensure that the control handles are positioned correctly to avoid obstruction.

## Temperature Adjustment:

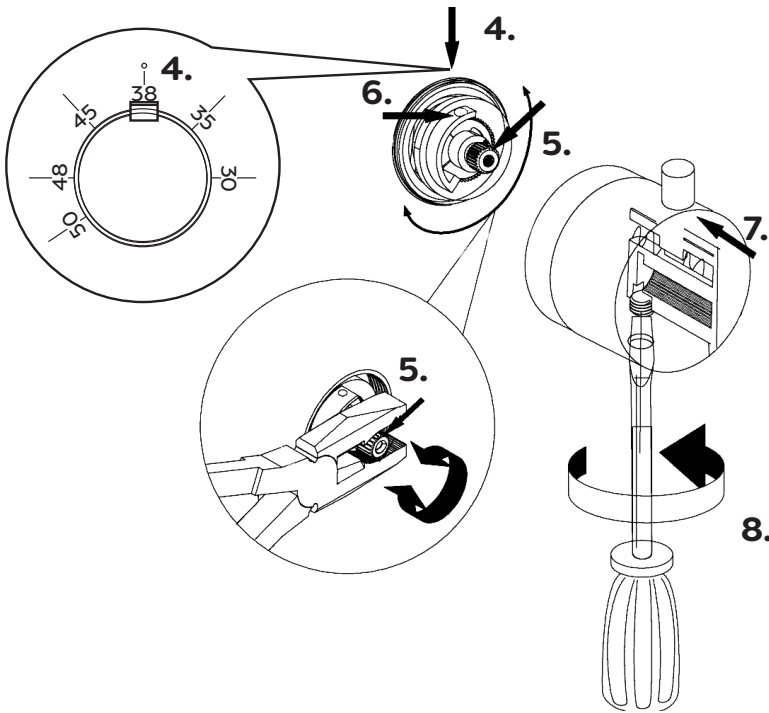
The maximum temperature is factory set at 38°C. If you think it is not enough, you can adjust the above stop ring position to get a higher maximum temperature.

- Remove the bottom cover. Loosen the handle screws on the thermostatic mixer knob.



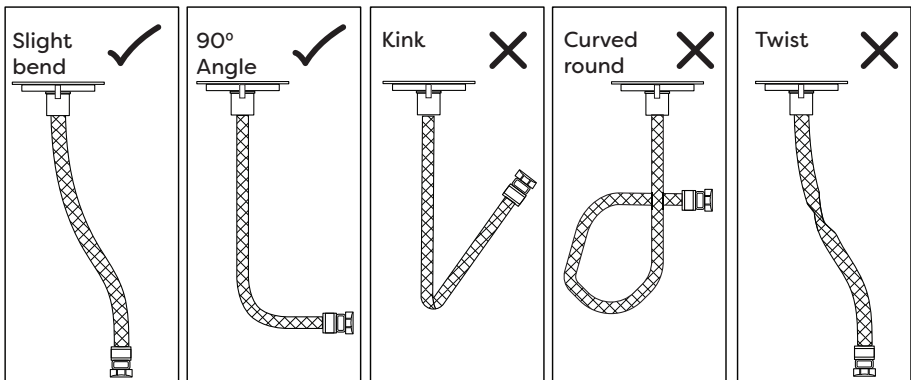


- To set the correct temperature indicator position; the three points on the scale plate, black plastic rotator limiter and slotted axial valve should line up to the 12-O'clock position. Achieve the temperature you want, turn the flow control you want, and refit the handle.



## Flexible Connecting Pipes:

When installing the flexi-pipes to the household pipework. Special care must be taken to ensure they do not bend sharply causing a kink or twist. Failure to do so may result in poor performance and damage to the flexi-pipes.



## Maintenance:

If the water flow is less than normal and temperature control is imprecise after a period of usage. It is often due to the poor water which blocks the small filter net. The cleaning method: First, turn off the water supply remove the facial plate from the wall. Then unscrew the end caps off the flexi-pipes with an adjustable wrench. Now you can clean the small filter net with brush and vinegar. After completion, rinse it and reassemble all the parts back. At last, check the water flow and temperature control.

## Aftercare:

Always clean the surface of the concealed shower tower to keep it bright. **Attention:** please do not use inappropriate tools such as sharp brushes, rough sponges, scouring pads or corrosive detergent to clean the concealed shower tower. Please clean the concealed shower tower by wet cloth and soapy water after each time of usage. Then rinse the soap out with clean water and dry with a soft cotton cloth.

# Troubleshooting

FAULT	POSSIBLE CAUSE
Shower only runs hot or cold after installation	<ol style="list-style-type: none"><li>1. Hot and cold supplies have been plumbed the wrong direction.</li><li>2. Faulty thermostat.</li><li>3. Insufficient water pressure.</li></ol>
Shower does not run hot enough	<ol style="list-style-type: none"><li>1. Check the hot water supply temperature.</li><li>2. Maximum temperature needs adjusting, see temperature adjustment.</li><li>3. Blockage in the hot supply.</li></ol>
Hot water in cold supply or vice versa	<ol style="list-style-type: none"><li>1. Check and clean non-return valves.</li><li>2. Check Hot and Cold supplies have not been reversed during installation.</li></ol>
Low or no flow	<ol style="list-style-type: none"><li>1. Possible blockage/debris in the system.</li><li>2. Operating conditions are incorrect.</li><li>3. Valve shut off has been activated due to a pressure drop in either the cold or hot supplies.</li></ol>
Leaking when in the off position	<ol style="list-style-type: none"><li>1. Debris in the flow control cartridge.</li><li>2. Faulty control cartridge.</li></ol>
Fluctuating flow	<ol style="list-style-type: none"><li>1. Dynamic inlet pressure are not balanced.</li></ol>

# Notes:

[www.victorianplumbing.co.uk](http://www.victorianplumbing.co.uk)